



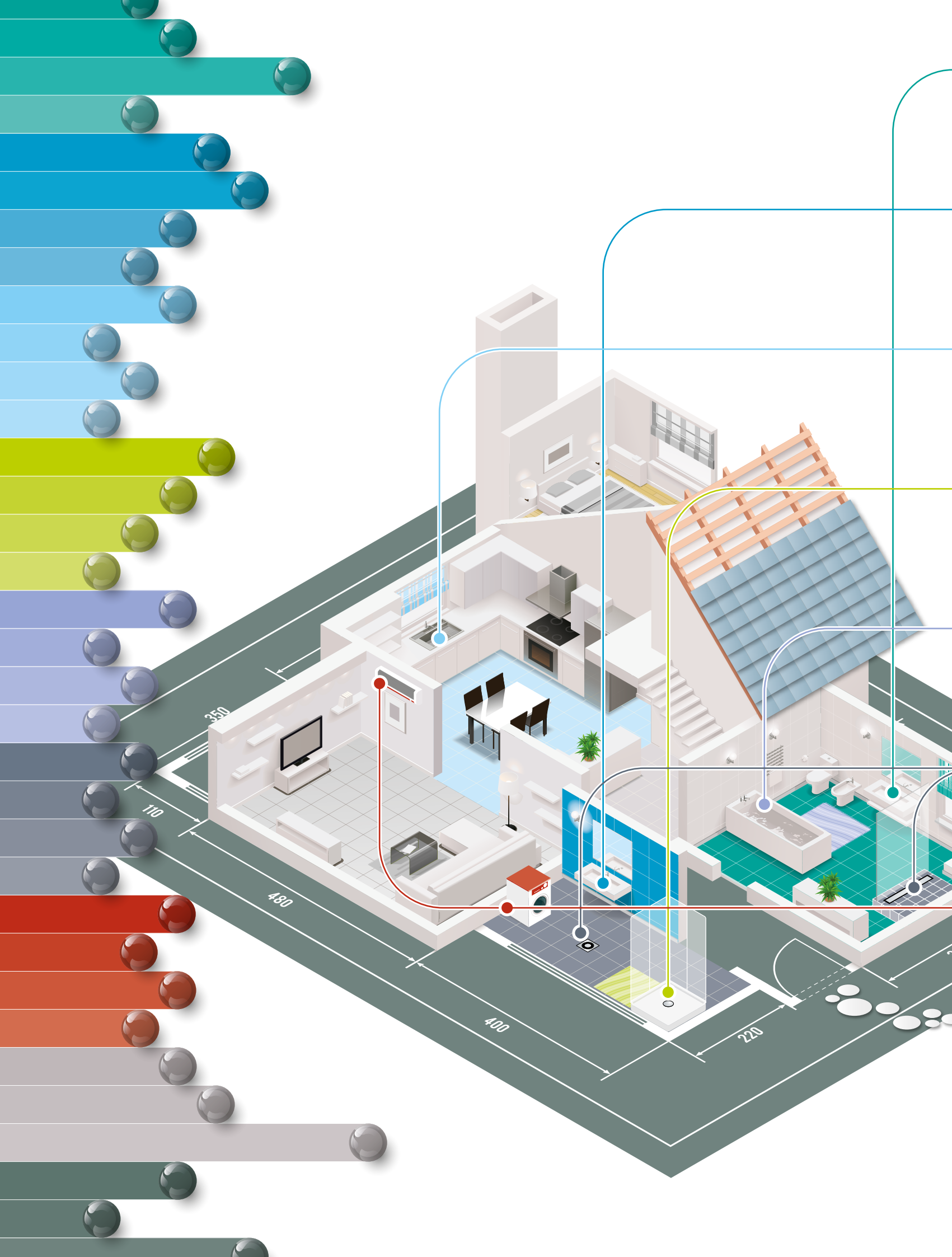
**OMP**

General  
catalogue

03

[omptea.eu](http://omptea.eu)







Design

4 - 35



Washbasin and bidet

36 - 89



Sink

90 - 109



Shower tray

110 - 129



Bathtub

130 - 143



Floor drain

144 - 221



In-wall

222 - 235



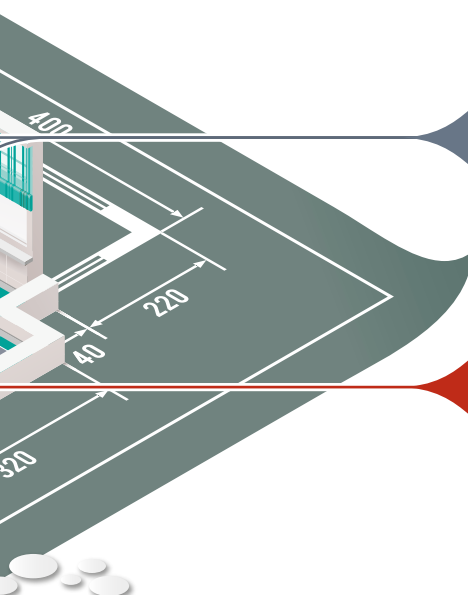
Accessories

236 - 273



Informations

274 - 304





## Design

- 4S Four season -
- Clicker hotellerie -
- Q Clicker -
- Clicker glass -
- Lanterna -
- Lanterna Linse -
- Clicker hotellerie exp - new
- Lanterna exp - new
- Zarpazo hotellerie + Zarpazo Q -
- Navarro -
- Tea clicker - new
- Tea free-flow - new
- Tea clicker + Clicker hotellerie CSA - new
- Tea free-flow CSA - new
- Tea space-saver - new
- Ring -
- Innova -
- Totem -
- Toti -
- Quasar -
- Maomao -
- Maomao -
- Toti lowered -
- Maomao lowered -
- Toti mini -
- Exec series -
- Maomao floor pipe - new
- spare pipes for traps - new



for the sanitary ware image, special thanks to  
**technova**



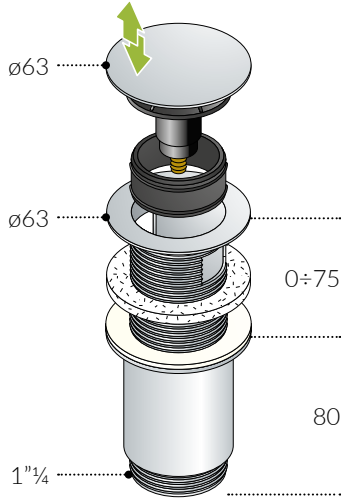
ods



7533

4s Four season

chrome plated brass automatic waste



**a. 7533.370.5**

- $\varnothing 63$  plug
- H. 90 threaded shaft
- H. 80  $\times 1 \frac{1}{4}$  counter nut
- slotted
- with device for overflow closure

size

$\varnothing 63 \times 1 \frac{1}{4}$

packaging

1xbox / 15 (T)

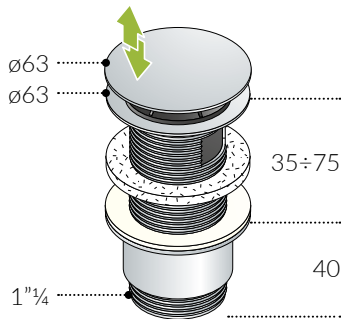
category

12



47 l/min

15 pcs.



**b. 7533.375.5**

- $\varnothing 63$  plug
- H. 90 threaded shaft
- H. 40  $\times 1 \frac{1}{4}$  counter nut
- slotted
- with device for overflow closure

size

$\varnothing 63 \times 1 \frac{1}{4}$

packaging

1xbox / 15 (T)

category

12



47 l/min

15 pcs.



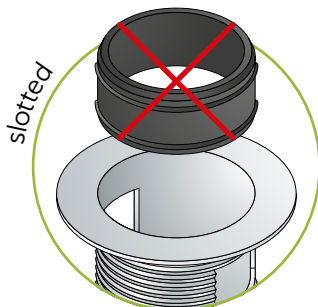
SPARE PARTS / PLUG



137.036.0

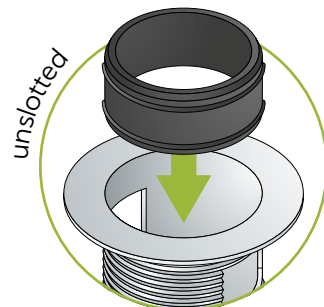
For more informations see page 252

**\* NOTES**

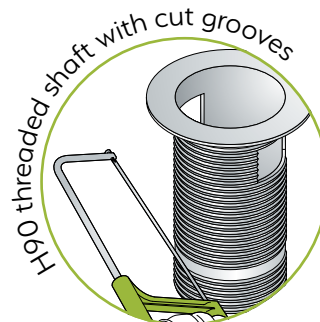


slotted

device for overflow closure

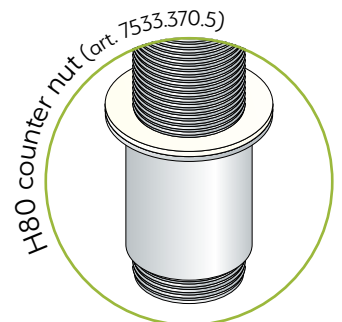


unslotted



H60 threaded shaft with cut grooves

a single product for every thicknesses



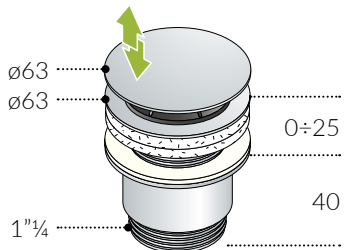
H80 counter nut (art. 7533.370.5)



# 8530

## Clicker hotellerie

chrome plated brass automatic waste



### a. 8530.300.5

- ø63 plug
- H. 35 threaded shaft
- H. 40 × 1 1/4 counter nut
- unslotted
- suitable also for steel washbasins

size

ø63 × 1 1/4

packaging

1×box / 15 (l)

category

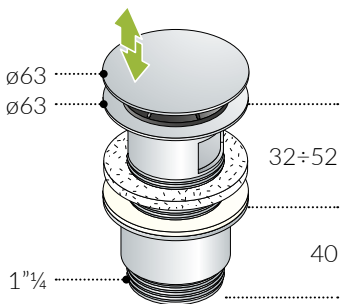
12



44 l/min



15 pcs.



### a. 8530.360.5

- ø63 plug
- H. 60 threaded shaft
- H. 40 × 1 1/4 counter nut
- slotted

size

ø63 × 1 1/4

packaging

1×box / 15 (l)

category

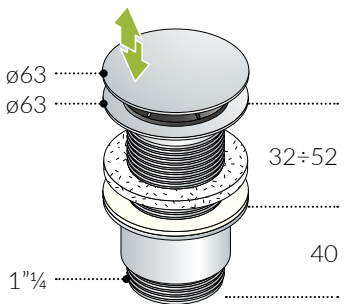
12



42 l/min



15 pcs.



### b. 8530.310.5

- ø63 plug
- H. 60 threaded shaft
- H. 40 × 1 1/4 counter nut
- unslotted

size

ø63 × 1 1/4

packaging

1×box / 15 (l)

category

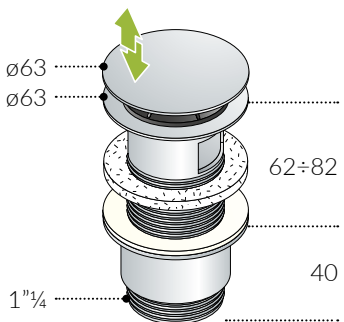
12



45 l/min



15 pcs.



### a. 8530.370.5

- ø63 plug
- H. 90 threaded shaft
- H. 40 × 1 1/4 counter nut
- slotted

size

ø63 × 1 1/4

packaging

1×box / 15 (l)

category

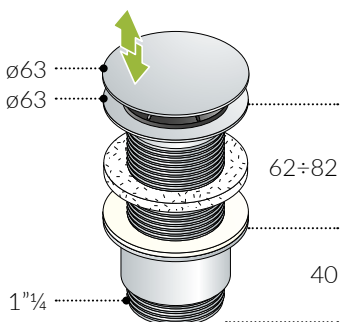
12



45 l/min



15 pcs.



### b. 8530.320.5

- ø63 plug
- H. 90 threaded shaft
- H. 40 × 1 1/4 counter nut
- unslotted

size

ø63 × 1 1/4

packaging

1×box / 15 (l)

category

12



45 l/min



15 pcs.



SPARE PARTS / PLUG



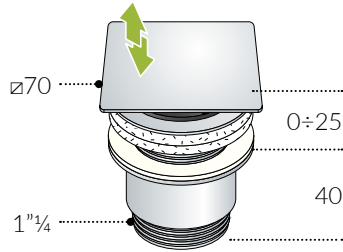
137.036.0

For more informations see page 252



# 8540 Q Clicker

chrome plated brass automatic waste



## a. 8540.300.5

- $\varnothing 70$  square plug
- H. 35 threaded shaft
- H. 40  $\times 1\frac{1}{4}$  counter nut
- unslotted
- suitable also for steel washbasins

size

$\varnothing 70 \times 1\frac{1}{4}$



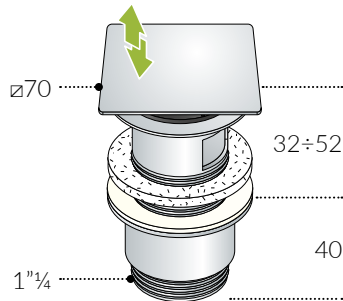
new

packaging

1xbox / 15 (l)

category

12



## a. 8540.360.5

- $\varnothing 70$  square plug
- H. 60 threaded shaft
- H. 40  $\times 1\frac{1}{4}$  counter nut
- slotted

size

$\varnothing 70 \times 1\frac{1}{4}$

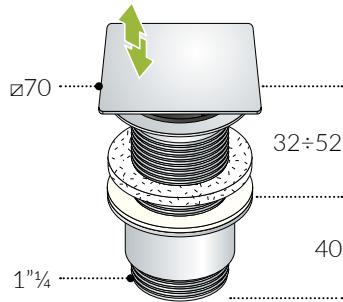


packaging

1xbox / 15 (l)

category

12



## b. 8540.310.5

- $\varnothing 70$  square plug
- H. 60 threaded shaft
- H. 40  $\times 1\frac{1}{4}$  counter nut
- unslotted

size

$\varnothing 70 \times 1\frac{1}{4}$

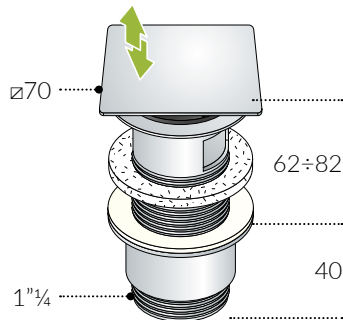


packaging

1xbox / 15 (l)

category

12



## a. 8540.370.5

- $\varnothing 70$  square plug
- H. 90 threaded shaft
- H. 40  $\times 1\frac{1}{4}$  counter nut
- slotted

size

$\varnothing 70 \times 1\frac{1}{4}$



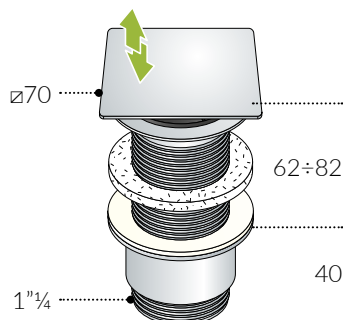
new

packaging

1xbox / 15 (l)

category

12



## b. 8540.320.5

- $\varnothing 70$  square plug
- H. 90 threaded shaft
- H. 40  $\times 1\frac{1}{4}$  counter nut
- unslotted

size

$\varnothing 70 \times 1\frac{1}{4}$



new

packaging

1xbox / 15 (l)

category

12



SPARE PARTS / PLUG



137.037.0

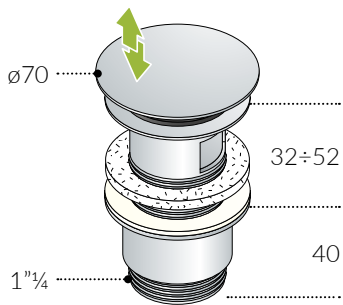
For more informations see page 252



# 8530

## Clicker glass

c.p. brass automatic wastes with bigger top for glass washbasin



### a. 8530.660.5

- $\phi 70$  bigger plug for glass washbasins
- H. 60 threaded shaft
- H. 40  $\times 1\frac{1}{4}$  counter nut
- slotted

size

$\phi 70 \times 1\frac{1}{4}$



44 l/min



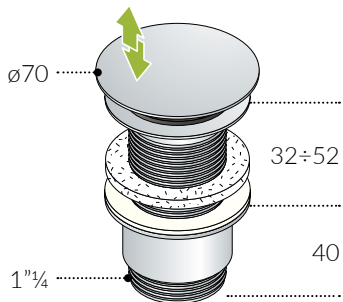
15 pcs.

packaging

1xbox / 15 (l)

category

12



### b. 8530.610.5

- $\phi 70$  bigger plug for glass washbasins
- H. 60 threaded shaft
- H. 40  $\times 1\frac{1}{4}$  counter nut
- unslotted

size

$\phi 70 \times 1\frac{1}{4}$



44 l/min



15 pcs.

packaging

1xbox / 15 (l)

category

12



SPARE PARTS / PLUG



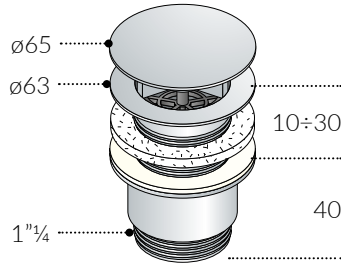
137.053.0

For more informations see page 252



# 147 Lantern

chrome plated brass free-flow waste



## a. 147.355.5

- $\phi 65$  cover
- H. 40 threaded shaft
- H. 40  $\times 1\frac{1}{4}$  counter nut
- unslotted
- suitable also for steel washbasins

size

$\phi 63 \times 1\frac{1}{4}$



53 l/min



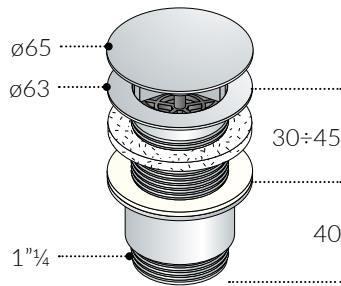
15 pcs.

packaging

1xbox / 15 (l)

category

12



## a. 147.555.5

- $\phi 65$  cover
- H. 55 threaded shaft
- H. 40  $\times 1\frac{1}{4}$  counter nut
- unslotted

size

$\phi 63 \times 1\frac{1}{4}$



53 l/min



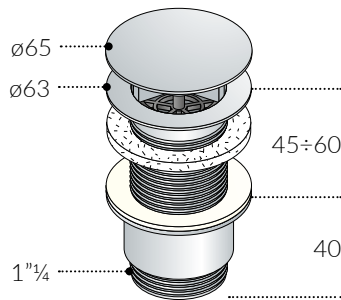
15 pcs.

packaging

1xbox / 15 (l)

category

12



## b. 147.755.5

- $\phi 65$  cover
- H. 70 threaded shaft
- H. 40  $\times 1\frac{1}{4}$  counter nut
- unslotted

size

$\phi 63 \times 1\frac{1}{4}$



53 l/min



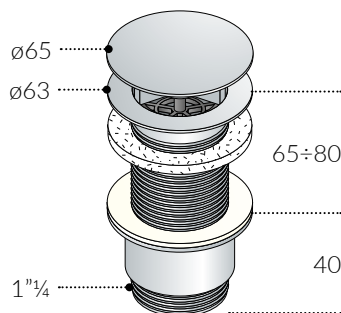
15 pcs.

packaging

1xbox / 15 (l)

category

12



## c. 147.955.5

- $\phi 65$  cover
- H. 90 threaded shaft
- H. 40  $\times 1\frac{1}{4}$  counter nut
- unslotted

size

$\phi 63 \times 1\frac{1}{4}$



53 l/min



15 pcs.

packaging

1xbox / 15 (l)

category

12

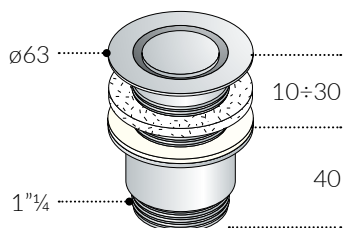


SPARE PARTS / COVER



119.713.5

For more informations see page 252

**a. 147.345.5**

- $\phi 32$  grid
- H. 40 threaded shaft
- H. 40  $\times 1\frac{1}{4}$  counter nut
- unslotted
- suitable also for steel washbasins

size

 $\phi 63 \times 1\frac{1}{4}$ 

36 l/min



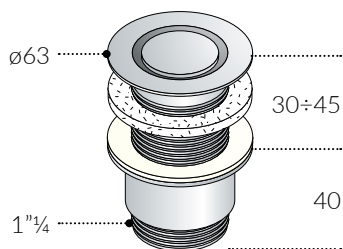
15 pcs.

packaging

1xbox / 15 (l)

category

12

**a. 147.545.5**

- $\phi 32$  grid
- H. 55 threaded shaft
- H. 40  $\times 1\frac{1}{4}$  counter nut
- unslotted

size

 $\phi 63 \times 1\frac{1}{4}$ 

36 l/min



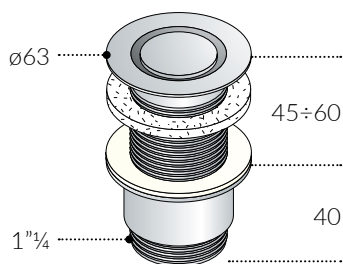
15 pcs.

packaging

1xbox / 15 (l)

category

12

**b. 147.745.5**

- $\phi 32$  grid
- H. 70 threaded shaft
- H. 40  $\times 1\frac{1}{4}$  counter nut
- unslotted

size

 $\phi 63 \times 1\frac{1}{4}$ 

36 l/min



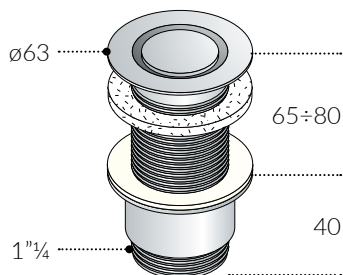
15 pcs.

packaging

1xbox / 15 (l)

category

12

**c. 147.945.5**

- $\phi 32$  grid
- H. 90 threaded shaft
- H. 40  $\times 1\frac{1}{4}$  counter nut
- unslotted

size

 $\phi 63 \times 1\frac{1}{4}$ 

36 l/min



15 pcs.

packaging

1xbox / 15 (l)

category

12



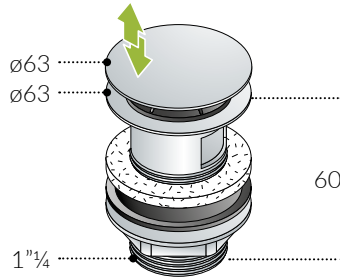


8530

Clicker hotellerie exp

chrome plated brass automatic waste

new



a. 8530.361.5

- ø63 plug
- H. 60 × 1 1/4 threaded shaft
- nickel-plated raw brass through-counter nut
- slotted

size

ø63 × 1 1/4

packaging

1×box / 15 (l)

category

12



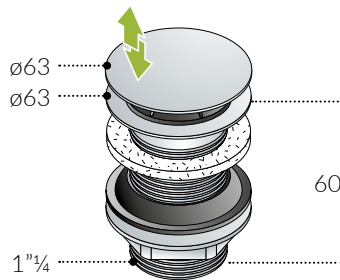
42 l/min



15 pcs.



new



b. 8530.311.5

- ø63 plug
- H. 60 × 1 1/4 threaded shaft
- nickel-plated raw brass through-counter nut
- unslotted

size

ø63 × 1 1/4

packaging

1×box / 15 (l)

category

12



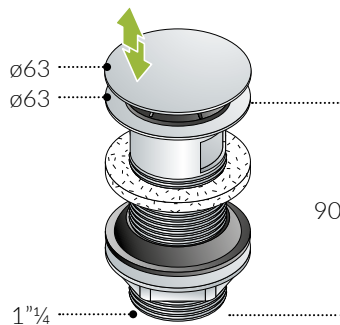
45 l/min



15 pcs.



new



a. 8530.371.5

- ø63 plug
- H. 90 × 1 1/4 threaded shaft
- nickel-plated raw brass through-counter nut
- slotted

size

ø63 × 1 1/4

packaging

1×box / 15 (l)

category

12



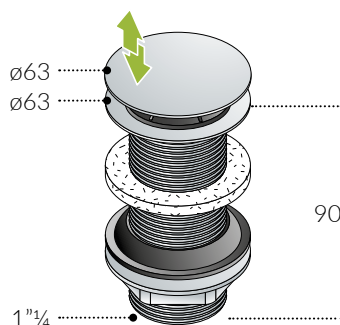
45 l/min



15 pcs.



new



b. 8530.321.5

- ø63 plug
- H. 90 × 1 1/4 threaded shaft
- nickel-plated raw brass through-counter nut
- unslotted

size

ø63 × 1 1/4

packaging

1×box / 15 (l)

category

12



45 l/min



15 pcs.



new



SPARE PARTS / PLUG



137.036.0

For more informations see page 252

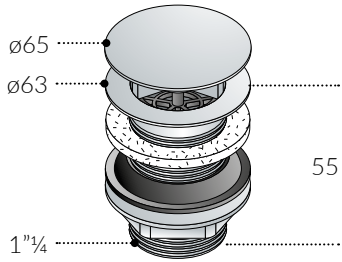


147

# Lanterna exp

chrome plated brass free-flow waste

new



**a. 147.550.5**

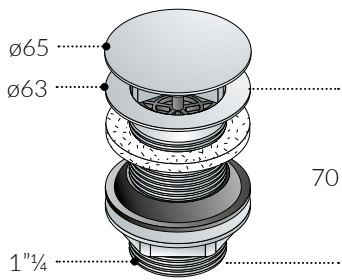
- ø65 cover
- H. 55 × 1"¼ threaded shaft
- nickel-plated raw brass through-counter nut
- unslotted

size packaging category

ø63 × 1"¼

1×box / 15 (l)

12



**b. 147.750.5**

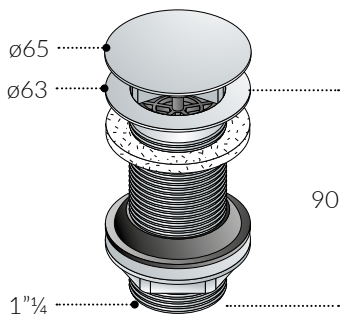
- ø65 cover
- H. 70 × 1"¼ threaded shaft
- nickel-plated raw brass through-counter nut
- unslotted

size packaging category

ø63 × 1"¼

1×box / 15 (l)

12



**c. 147.950.5**

- ø65 cover
- H. 90 × 1"¼ threaded shaft
- nickel-plated raw brass through-counter nut
- unslotted

size packaging category

ø63 × 1"¼

1×box / 15 (l)

12



SPARE PARTS / COVER



119.713.5

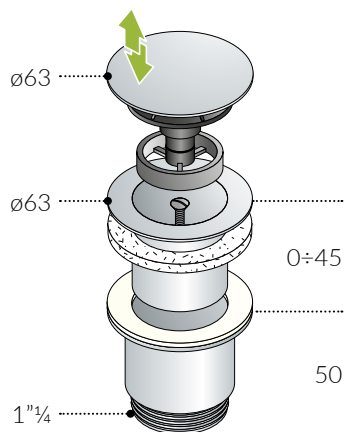
For more informations see page 252



8532 + 8542

Zarpazo hotellerie + Zarpazo Q

chrome plated brass automatic waste with screw



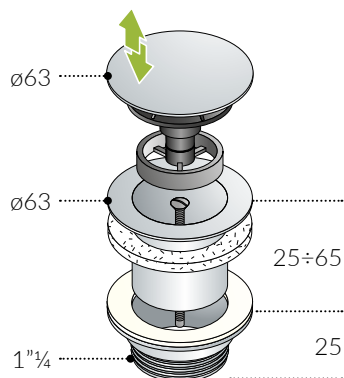
- a. 8532.310.5**
- ZARPAZO HOTELLERIE
- ø63 plug
  - H. 40 waste
  - H. 50 × 1 1/4 counter nut
  - screw L. 60

size	packaging	category
ø63 × 1 1/4	1×box / 15 (l)	12
43 l/min	15 pcs.	



OTHER FINISHING AVAILABLE

matt black 8532.310.5.X	matt white 8532.310.5.XD	polished gold 8532.310.5.3	brushed nickel 8532.310.5.Y2	brushed bronze 8532.310.5.6
----------------------------	-----------------------------	-------------------------------	---------------------------------	--------------------------------



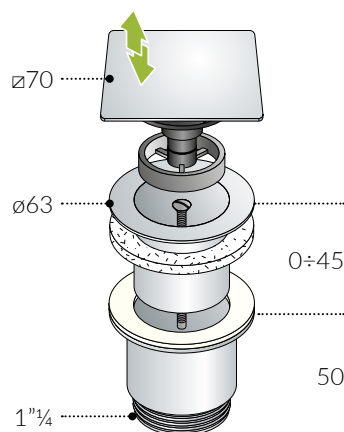
- b. 8532.312.5**
- ø63 plug
  - H. 40 waste
  - H. 25 × 1 1/4 counter nut
  - screw L. 60

size	packaging	category
ø63 × 1 1/4	1×box / 15 (l)	12
43 l/min	15 pcs.	



SPARE PARTS / PLUG

137.027.0  
For more informations see page 252



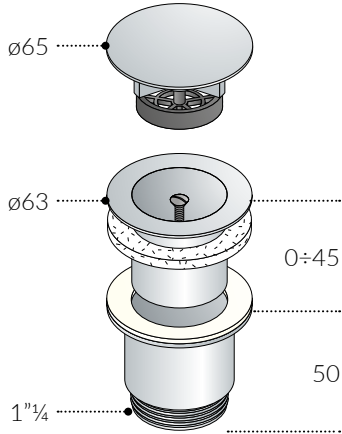
- a. 8542.310.5**
- ZARPAZO Q
- 70 square plug
  - H. 40 waste
  - H. 50 × 1 1/4 counter nut
  - screw L. 60

size	packaging	category
70 × 1 1/4	1×box / 15 (l)	12
45 l/min	15 pcs.	



# 542 Navarro

chrome plated brass free-flow waste with screw



## a. 542.710.5

- ø65 cover
- H. 40 waste
- H. 50 × 1 1/4 counter nut
- screw L. 60

size

ø63 × 1 1/4

packaging

1×box / 15 (l)

category

12



54 l/min



15 pcs.



### SPARE PARTS / COVER



119.713.5

For more informations see page 252

### OTHER FINISHING AVAILABLE

matt black

542.710.5.X

matt white

542.710.5.XD

polished gold

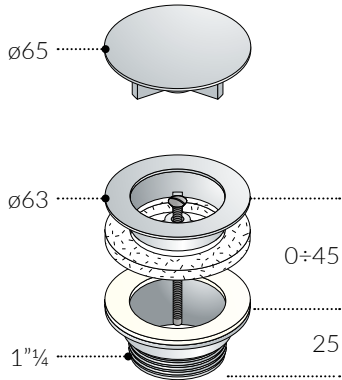
542.710.5.3

brushed nickel

542.710.5.Y2

brushed bronze

542.710.5.6



## a. 542.742.5

- ø65 cover
- H. 25 waste
- H. 25 × 1 1/4 counter nut
- screw L. 60

size

ø63 × 1 1/4

packaging

1×box / 15 (l)

category

12



54 l/min



15 pcs.



# 7532

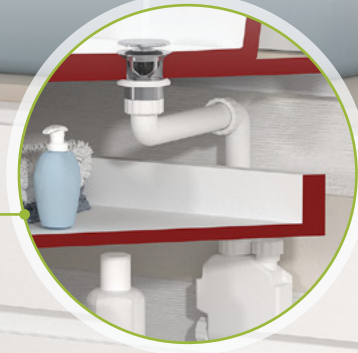
## Tea clicker

automatic universal wastes with screw



### \* NOTES

TEA (7532) is the automatic universal waste designed to obtain the minimum space under the sanitary with the most wide adjustment range and adaptability. In fact, despite its adjustment range is from zero to 45 mm (as the already tested Zarpazo art. 8532), the footprint under the basin is only 20 mm.



### \* NOTES

7532.310.5



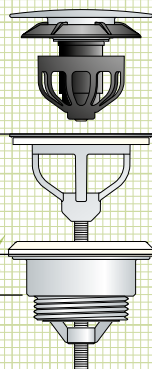
water volume  
41 l/min



EN 274  
conform

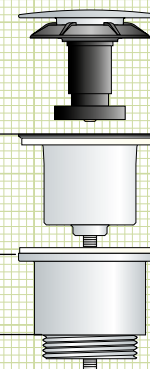
8÷45

20



0÷45

40



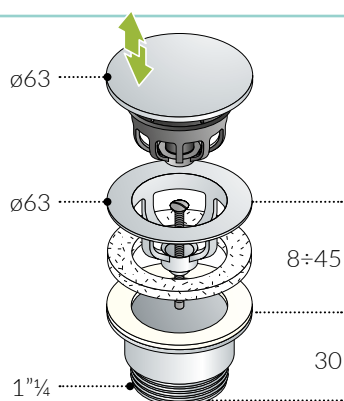
8532.310.5



water volume  
43 l/min



EN 274  
conform


**a. 7532.310.5**

- chrome plated
- $\phi 63$  plug
- H. 40 waste
- H.  $30 \times 1\frac{1}{4}$  counter nut
- screw L. 60

size

 $\phi 63 \times 1\frac{1}{4}$ 

packaging

1xbox / 15 (l)

category

12



41 l/min



15 pcs.

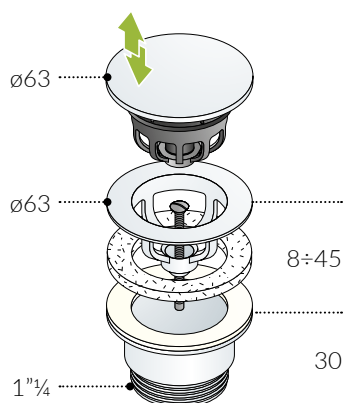


SPARE PARTS / PLUG



137.097.1

For more informations see page 252


**a. 7532.310.5.X**

- matt black finishing
- $\phi 63$  plug
- H. 40 waste
- H.  $30 \times 1\frac{1}{4}$  counter nut
- screw L. 60

size

 $\phi 63 \times 1\frac{1}{4}$ 

packaging

1xbox / 15 (l)

category

12



41 l/min



15 pcs.


**b. 7532.310.5.XD**

- matt white finishing
- $\phi 63$  plug
- H. 40 waste
- H.  $30 \times 1\frac{1}{4}$  counter nut
- screw L. 60

size

 $\phi 63 \times 1\frac{1}{4}$ 

packaging

1xbox / 15 (l)

category

12



41 l/min



15 pcs.


**c. 7532.310.5.Y2**

- brushed nickel finishing
- $\phi 63$  plug
- H. 40 waste
- H.  $30 \times 1\frac{1}{4}$  counter nut
- screw L. 60

size

 $\phi 63 \times 1\frac{1}{4}$ 

packaging

1xbox / 15 (l)

category

12



41 l/min



15 pcs.


**a. 7532.310.5.T**

- chrome plated
- $\phi 70$  gloss white ceramic plug
- H. 40 waste
- H.  $30 \times 1\frac{1}{4}$  counter nut
- screw L. 60

size

 $\phi 63 \times 1\frac{1}{4}$ 

packaging

1xbox / 15 (l)

category

12



41 l/min



15 pcs.


**b. 7532.310.5.T1**

- chrome plated
- $\phi 70$  matt white ceramic plug
- H. 40 waste
- H.  $30 \times 1\frac{1}{4}$  counter nut
- screw L. 60

size

 $\phi 63 \times 1\frac{1}{4}$ 

packaging

1xbox / 15 (l)

category

12



41 l/min



15 pcs.


**c. 7532.310.5.T2**

- chrome plated
- $\phi 70$  matt black ceramic plug
- H. 40 waste
- H.  $30 \times 1\frac{1}{4}$  counter nut
- screw L. 60

size

 $\phi 63 \times 1\frac{1}{4}$ 

packaging

1xbox / 15 (l)

category

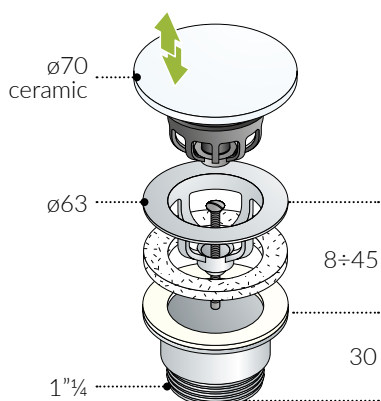
12



41 l/min



15 pcs.



# 7542

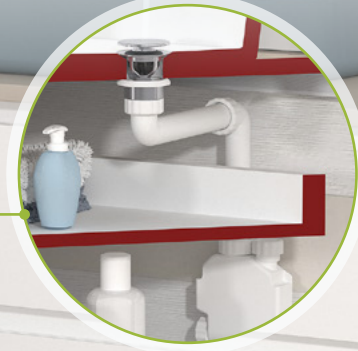
## Tea free-flow

free-flow universal wastes with screw



### \* NOTES

TEA (7542) is the new free-flow universal waste designed to obtain the minimum space under the sanitary with the most wide adjustment range and adaptability. In fact, despite its adjustment range is from zero to 45 mm (as the already tested Navarro art. 542), the footprint under the basin is only 20 mm.



### \* NOTES

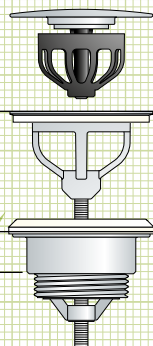
7542.710.5

water volume  
42 l/min

EN 274  
conform

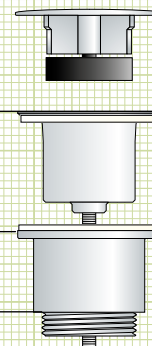
8÷45

20



0÷45

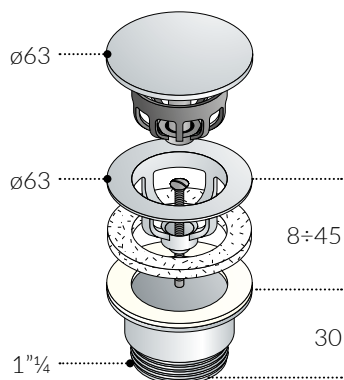
40



542.710.5

water volume  
54 l/min

EN 274  
conform


**a. 7542.710.5**

- chrome plated
- $\phi 63$  cover
- H. 40 waste
- H.  $30 \times 1\frac{1}{4}$  counter nut
- screw L. 60

size

 $\phi 63 \times 1\frac{1}{4}$ 

packaging

1xbox / 15 (l)

category

12



42 l/min



15 pcs.



new

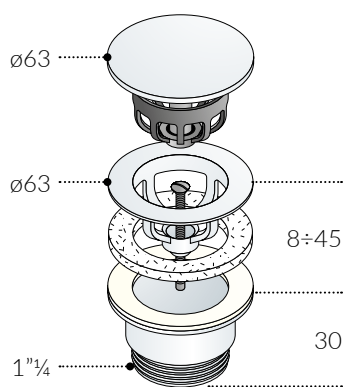


SPARE PARTS / COVER



137.098.1

For more informations see page 252


**a. 7542.710.5.X**

- matt black finishing
- $\phi 63$  cover
- H. 40 waste
- H.  $30 \times 1\frac{1}{4}$  counter nut
- screw L. 60

size

 $\phi 63 \times 1\frac{1}{4}$ 

packaging

1xbox / 15 (l)

category

12



42 l/min



15 pcs.



new


**b. 7542.710.5.XD**

- matt white finishing
- $\phi 63$  cover
- H. 40 waste
- H.  $30 \times 1\frac{1}{4}$  counter nut
- screw L. 60

size

 $\phi 63 \times 1\frac{1}{4}$ 

packaging

1xbox / 15 (l)

category

12



42 l/min



15 pcs.



new


**c. 7542.710.5.Y2**

- brushed nickel finishing
- $\phi 63$  cover
- H. 40 waste
- H.  $30 \times 1\frac{1}{4}$  counter nut
- screw L. 60

size

 $\phi 63 \times 1\frac{1}{4}$ 

packaging

1xbox / 15 (l)

category

12



42 l/min



15 pcs.



new


**a. 7542.710.5.T**

- chrome plated
- $\phi 70$  gloss white ceramic cover
- H. 40 waste
- H.  $30 \times 1\frac{1}{4}$  counter nut
- screw L. 60

size

 $\phi 63 \times 1\frac{1}{4}$ 

packaging

1xbox / 15 (l)

category

12



42 l/min



15 pcs.



new


**b. 7542.710.5.T1**

- chrome plated
- $\phi 70$  matt white ceramic cover
- H. 40 waste
- H.  $30 \times 1\frac{1}{4}$  counter nut
- screw L. 60

size

 $\phi 63 \times 1\frac{1}{4}$ 

packaging

1xbox / 15 (l)

category

12



42 l/min



15 pcs.



new


**c. 7542.710.5.T2**

- chrome plated
- $\phi 70$  matt black ceramic cover
- H. 40 waste
- H.  $30 \times 1\frac{1}{4}$  counter nut
- screw L. 60

size

 $\phi 63 \times 1\frac{1}{4}$ 

packaging

1xbox / 15 (l)

category

12



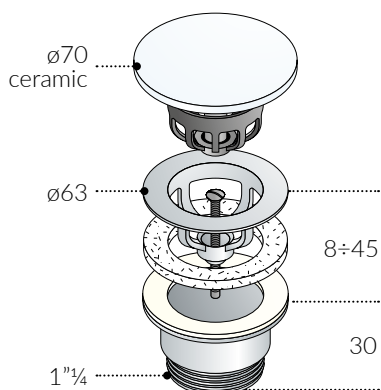
42 l/min



15 pcs.



new



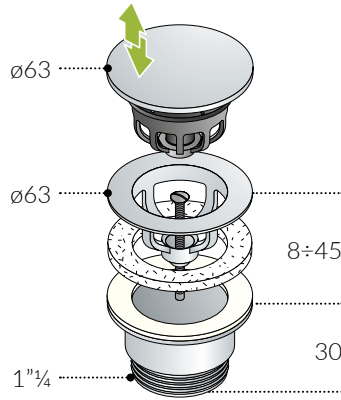


# 7532 + 8530 US

## Tea clicker + Clicker hotellerie CSA

CSA approved automatic wastes

new



### a. 7532.310.5 US

TEA CLICKER

- chrome plated
- ø63 plug
- H. 40 waste
- H. 30 x 1 1/4 counter nut
- screw L. 60

size

ø63 x 1 1/4



packaging

1xbox / 15 (l)



category

12



### b. 7532.310.5.X US

- matt black finishing
- ø63 plug
- H. 40 waste
- H. 30 x 1 1/4 counter nut
- screw L. 60

size

ø63 x 1 1/4



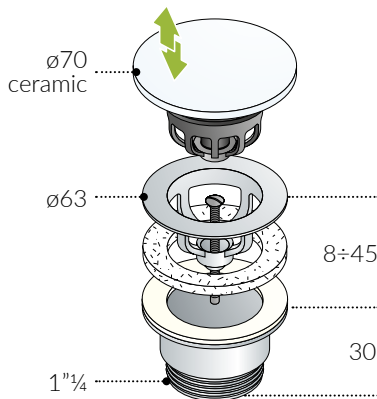
packaging

1xbox / 15 (l)



category

12



### a. 7532.310.5.T US

- chrome plated
- ø70 gloss white ceramic plug
- H. 40 waste
- H. 30 x 1 1/4 counter nut
- screw L. 60

size

ø63 x 1 1/4



packaging

1xbox / 15 (l)



category

12



### b. 7532.310.5.T1 US

- chrome plated
- ø70 matt white ceramic plug
- H. 40 waste
- H. 30 x 1 1/4 counter nut
- screw L. 60

size

ø63 x 1 1/4



packaging

1xbox / 15 (l)



category

12



### c. 7532.310.5.T2 US

- chrome plated
- ø70 matt black ceramic plug
- H. 40 waste
- H. 30 x 1 1/4 counter nut
- screw L. 60

size

ø63 x 1 1/4



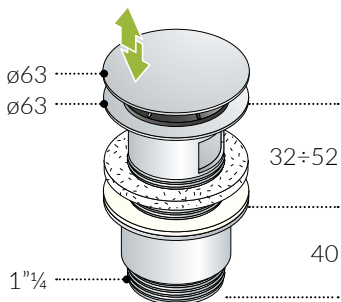
packaging

1xbox / 15 (l)



category

12



### a. 8530.360.5 US

CLICKER HOTELL

- chrome plated
- ø63 plug
- H. 60 threaded shaft
- H. 40 x 1 1/4 counter nut
- slotted

size

ø63 x 1 1/4



packaging

1xbox / 15 (l)



category

12



### b. 8530.360.5.X US

- matt black finishing
- ø63 plug
- H. 60 threaded shaft
- H. 40 x 1 1/4 counter nut
- slotted

size

ø63 x 1 1/4



packaging

1xbox / 15 (l)



category

12



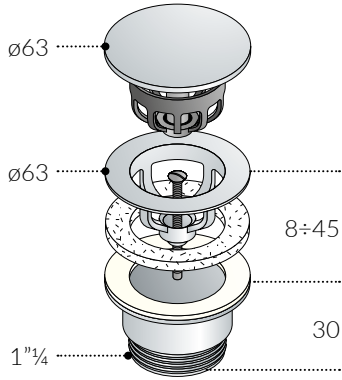


# 7542 US

## Tea free-flow CSA

CSA approved free-flow wastes

new



### a. 7542.710.5 US

- chrome plated
- ø63 cover
- H. 40 waste
- H. 30 × 1 1/4 counter nut
- screw L. 60

size ø63 × 1 1/4

packaging 1×box / 15 (l)

category 12



### b. 7542.710.5.X US

- matt black finishing
- ø63 cover
- H. 40 waste
- H. 30 × 1 1/4 counter nut
- screw L. 60

size ø63 × 1 1/4

packaging 1×box / 15 (l)

category 12



### a. 7542.710.5.T US

- chrome plated
- ø70 gloss white ceramic cover
- H. 40 waste
- H. 30 × 1 1/4 counter nut
- screw L. 60

size ø63 × 1 1/4

packaging 1×box / 15 (l)

category 12



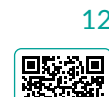
### b. 7542.710.5.T1 US

- chrome plated
- ø70 matt white ceramic cover
- H. 40 waste
- H. 30 × 1 1/4 counter nut
- screw L. 60

size ø63 × 1 1/4

packaging 1×box / 15 (l)

category 12



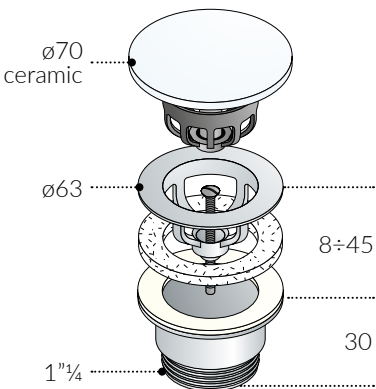
### c. 7542.710.5.T2 US

- chrome plated
- ø70 matt black ceramic cover
- H. 40 waste
- H. 30 × 1 1/4 counter nut
- screw L. 60

size ø63 × 1 1/4

packaging 1×box / 15 (l)

category 12



#### ACCESSORIES / OUTLET PIPE



86.196.5

For more informations see page 244

#### NOTES / CSA CERTIFICATION



The items listed on these pages have been certified by the CSA Group, which has issued certificate number 80166555 (master 303400) for us. These data, along with the CSA mark, are marked on the products listed here and on their packaging, thereby enabling their sale in the American and Canadian markets. The similar items featured on the previous pages are not included in this certification

# 7532 + 7542

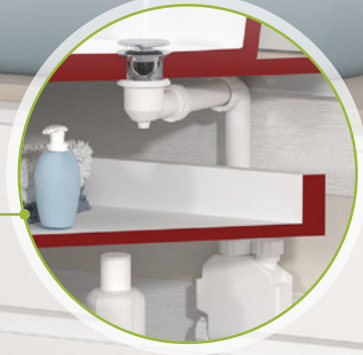
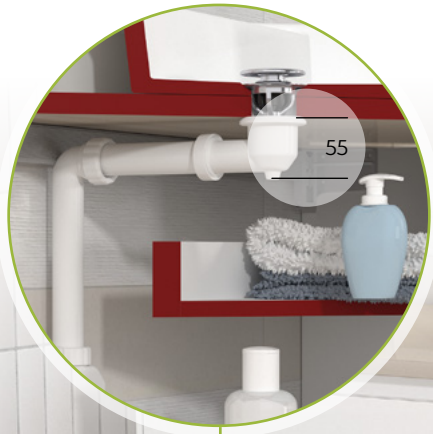
## Tea space-saver

universal wastes with screw for space-saver traps



### \* NOTES

Version with ABS counter nut and horizontal outlet, particularly suitable to be combined with our space-saving traps for washbasins and bathroom furniture. With only 55 mm of total encumbrance from the basin, the new range of Tea waste is the optimal technical solution in bathroom furniture where the presence of drawers and containers under-sink does not allow the installation of traditional wastes and traps.



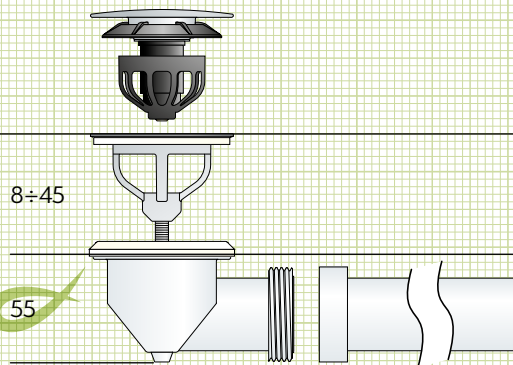
### \* NOTES

7532.316.5

water volume  
31 l/min

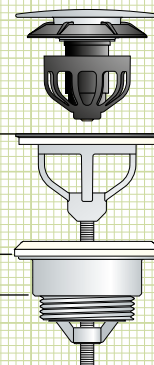
8÷45

55



8÷45

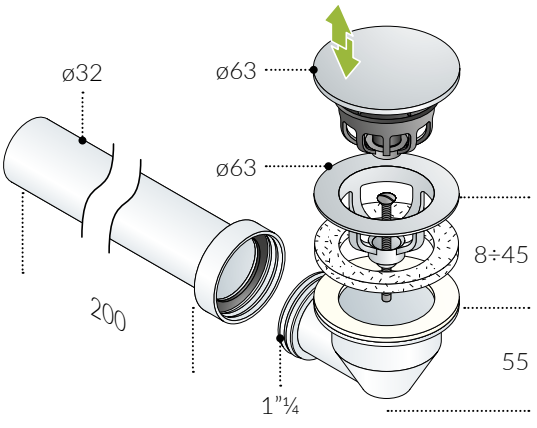
20



7532.310.5

water volume  
41 l/min

EN 274  
conform



**a. 7532.316.5**

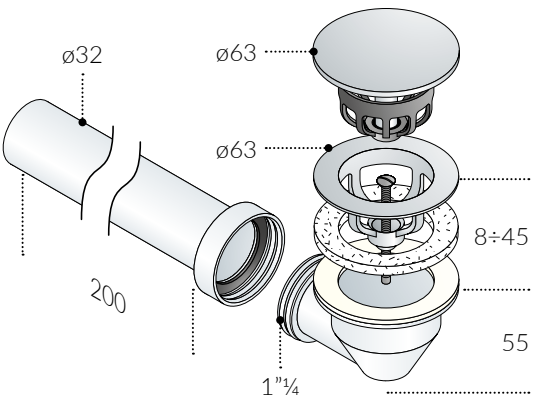
- automatic
- ø63 plug
- H. 40 waste
- H. 55 ABS counter nut with lateral outlet 1 1/4
- PP extension L. 200 x ø32
- screw L. 35 and 60

size	packaging	category
------	-----------	----------

ø63 x ø32      1xbox / 16 (B)      12



**SPARE PARTS / PLUG**  
**137.097.1**  
 For more informations see page 252



**a. 7542.716.5**

- free-flow
- ø63 cover
- H. 40 waste
- H. 55 ABS counter nut with lateral outlet 1 1/4
- PP extension L. 200 x ø32
- screw L. 35 and 60

size	packaging	category
------	-----------	----------

ø63 x ø32      1xbox / 16 (B)      12

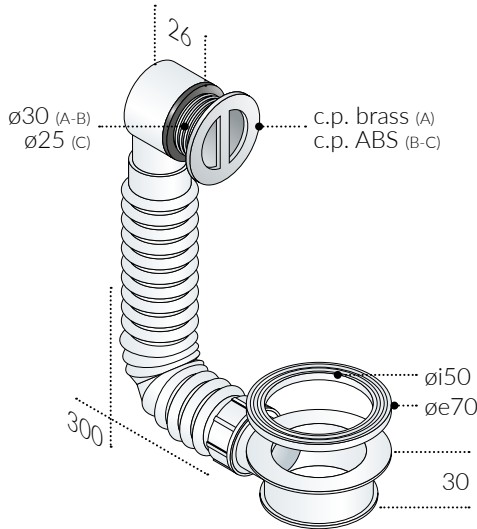


**SPARE PARTS / COVER**  
**137.098.1**  
 For more informations see page 252

# 247

## Ring

PP overflow set



a. 247.604.0	size	packaging	category
<ul style="list-style-type: none"> <li>- chrome plated brass grid</li> <li>- for <math>\phi 30</math> holed</li> <li>- for washbasin thickness <math>5 \div 20</math></li> <li>- max tube length L. 300</li> <li>- with gasket</li> </ul>	$\phi 30 \times \phi i 50$	1x bag / 15 (l)	10
	15 l/min  15 pcs.		

### OTHER FINISHING AVAILABLE

<b>matt black</b> 247.604.0.X	<b>matt white</b> 247.604.0.XD	<b>polished gold</b> 247.604.0.3	<b>brushed nickel</b> 247.604.0.Y2	<b>brushed bronze</b> 247.604.0.6
----------------------------------	-----------------------------------	-------------------------------------	---------------------------------------	--------------------------------------

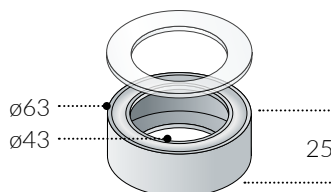
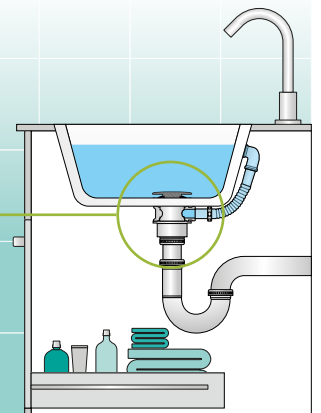
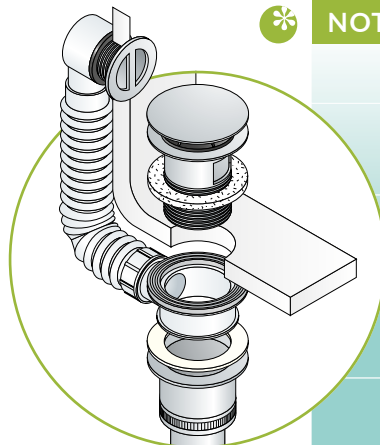
b. 247.304.0	size	packaging	category
<ul style="list-style-type: none"> <li>- chrome plated ABS grid</li> <li>- for <math>\phi 30</math> holed</li> <li>- for washbasin thickness <math>5 \div 20</math></li> <li>- max tube length L. 300</li> <li>- with gasket</li> </ul>	$\phi 30 \times \phi i 50$	1x bag / 15 (l)	10
	15 l/min  15 pcs.		

### OTHER FINISHING AVAILABLE

<b>matt black</b> 247.304.0.HX	<b>matt white</b> 247.304.0.HD	<b>polished gold</b> -	<b>brushed nickel</b> -	<b>brushed bronze</b> -
-----------------------------------	-----------------------------------	---------------------------	----------------------------	----------------------------

c. 247.354.0	size	packaging	category
<ul style="list-style-type: none"> <li>- chrome plated ABS grid</li> <li>- for <math>\phi 25</math> holed</li> <li>- for washbasin thickness <math>5 \div 20</math></li> <li>- max tube length L. 300</li> <li>- with gasket</li> </ul>	$\phi 25 \times \phi i 50$	1x bag / 15 (l)	10
	15 l/min  15 pcs.		

### \* NOTES



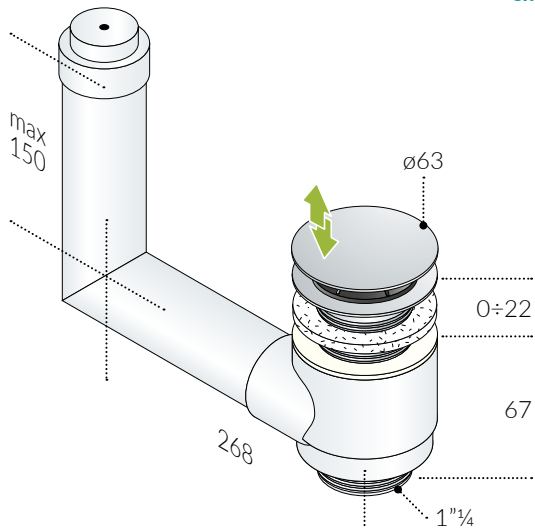
a. 47.100.0	size	packaging	category
<ul style="list-style-type: none"> <li>- c.p. brass connection ring for washbasin</li> <li>- H. 25</li> <li>- with gasket</li> </ul>	$\phi 63 \times H. 25$	1x bag / 10 (X)	08
	50 pcs.		



# 2930

## Innova

ABS + brass automatic waste with integrated overflow



**a. 2930.300.5** size packaging category

- white ABS bended pipe adjustable in height
- one way aerator valve
- $\varnothing 63$  chrome plated brass plug
- H. 30 chrome plated brass threaded shaft
- outlet  $1\frac{1}{4}$

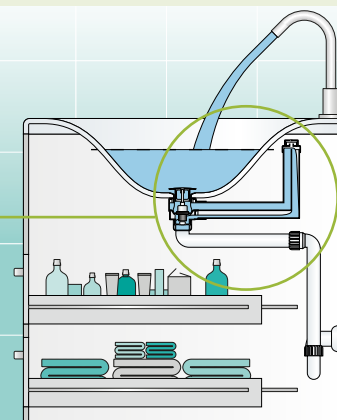
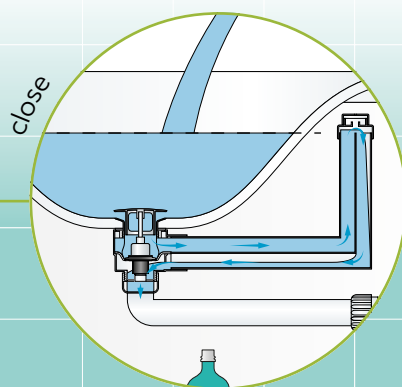
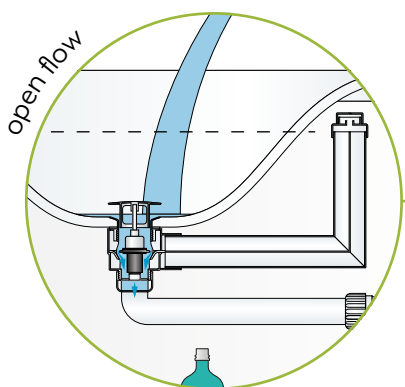
$\varnothing 63 \times 1\frac{1}{4}$

1xbox / 8 (B)

05



### NOTES



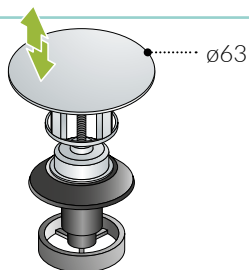
**a. 137.136.0** size packaging category

- c.p. brass plug
- only for art. 2930.300.5

$\varnothing 63$

1xbag / 10 (X)

08



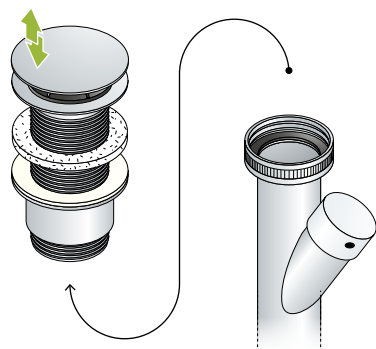
### COMING SOON

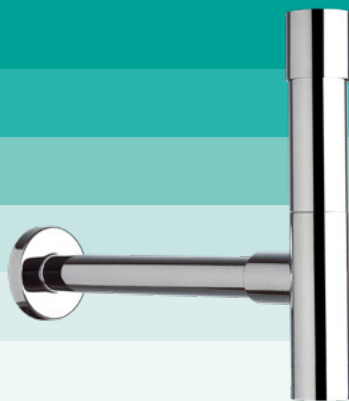
#### Automatic waste with integrated overflow and air admittance valve

Hokkaido, our new innovative clicker waste equipped with an integrated overflow and water level maintenance system. Hokkaido has been carefully designed to offer advanced functionality and practicality.

Main features of the Hokkaido waste:

- integrated overflow system: automatic protection against overflowing;
- water level maintenance: automatic adjustment.

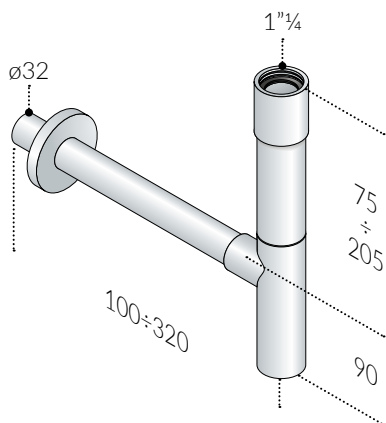




# 700 Totem

chrome plated brass design trap

## a. 700.135.5.K



- inlet H. 165 ×  $1\frac{1}{4}$
- outlet L. 300 ×  $\phi 32$
- brass flange  $\phi 80$

size

$1\frac{1}{4} \times \phi 32$

packaging

1×box / 10 (O)

category

12



50 mm



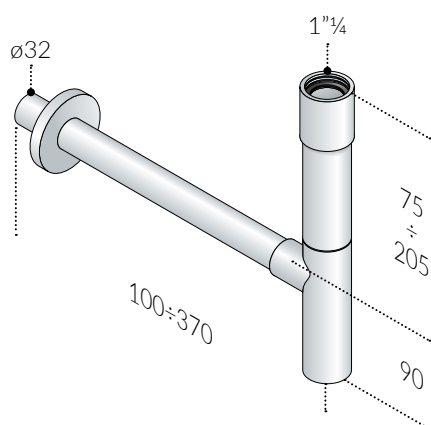
43 l/min



10 pcs.



## b. 700.165.5.K



- inlet H. 165 ×  $1\frac{1}{4}$
- outlet L. 350 ×  $\phi 32$
- brass flange  $\phi 80$

size

$1\frac{1}{4} \times \phi 32$

packaging

1×box / 10 (O)

category

12



50 mm



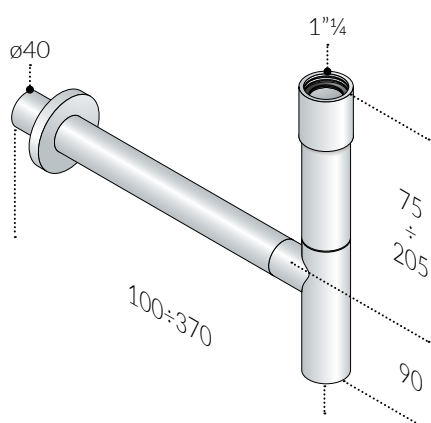
43 l/min



10 pcs.



## c. 700.165.6.K



- inlet H. 165 ×  $1\frac{1}{4}$
- outlet L. 350 ×  $\phi 40$
- brass flange  $\phi 80$

size

$1\frac{1}{4} \times \phi 40$

packaging

1×box / 10 (O)

category

12



50 mm



43 l/min



10 pcs.



ECOLOGICAL EFFICIENCY



Production process with lower environmental impact

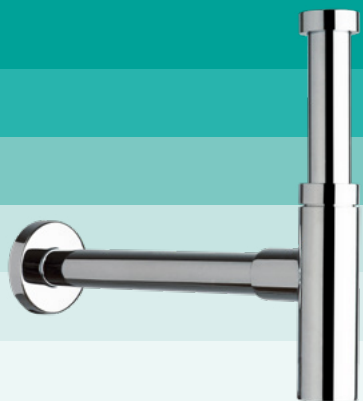
For more informations see page 286



# 710

## Toti

chrome plated brass design trap



### a. 710.135.5.K

- inlet H. 165 × 1"¼
- outlet L. 300 × ø32
- brass flange ø80

size

1"¼ × ø32

packaging

1×box / 10 (O)

category

12



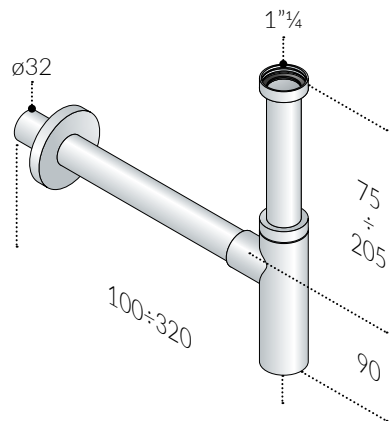
50 mm



45 l/min



10 pcs.



#### OTHER FINISHING AVAILABLE

**matt black**

710.135.5.X

**matt white**

710.135.5.XD

**polished gold**

710.135.5.3

**brushed nickel**

710.135.5.Y2

**brushed bronze**

710.135.5.6

### b. 710.165.5.K

- inlet H. 165 × 1"¼
- outlet L. 350 × ø32
- brass flange ø80

size

1"¼ × ø32

packaging

1×box / 10 (O)

category

12



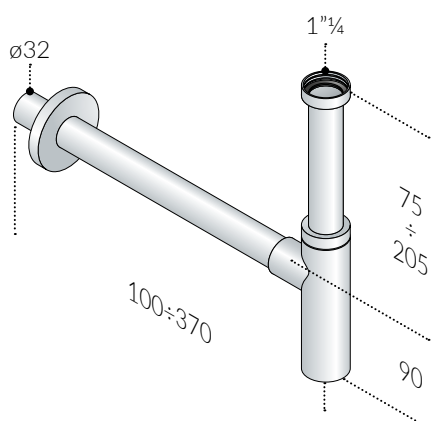
50 mm



45 l/min



10 pcs.



### c. 710.165.6.K

- inlet H. 165 × 1"¼
- outlet L. 350 × ø40
- brass flange ø80

size

1"¼ × ø40

packaging

1×box / 10 (O)

category

12



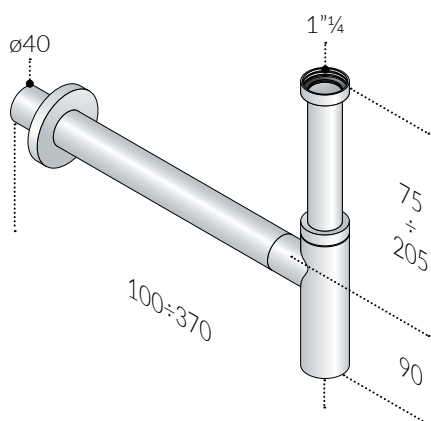
50 mm



45 l/min



10 pcs.



#### ECOLOGICAL EFFICIENCY



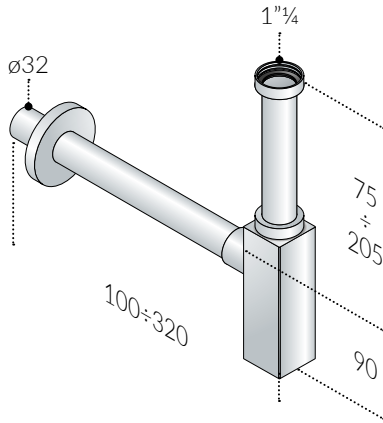
**Production process with lower environmental impact**

For more informations see page 286

# 810

## Quasar

chrome plated brass design trap



### a. 810.135.5.K

- inlet H. 165 × 1"¼
- outlet L. 300 × ø32
- brass flange ø80

size

1"¼ × ø32

packaging

1×box / 10 (O)

category

12



50 mm



47 l/min



10 pcs.



#### OTHER FINISHING AVAILABLE

matt black

810.135.5.X

matt white

810.135.5.XD

polished gold

810.135.5.3

brushed nickel

810.135.5.Y2

brushed bronze

810.135.5.6

### b. 810.165.5.K

- inlet H. 165 × 1"¼
- outlet L. 350 × ø32
- brass flange ø80

size

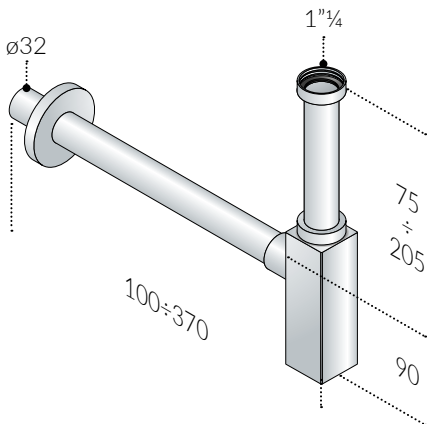
1"¼ × ø32

packaging

1×box / 10 (O)

category

12



50 mm



47 l/min



10 pcs.



### c. 810.165.6.K

- inlet H. 165 × 1"¼
- outlet L. 350 × ø40
- brass flange ø80

size

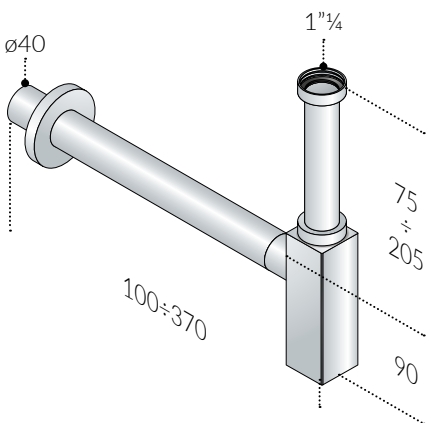
1"¼ × ø40

packaging

1×box / 10 (O)

category

12



50 mm

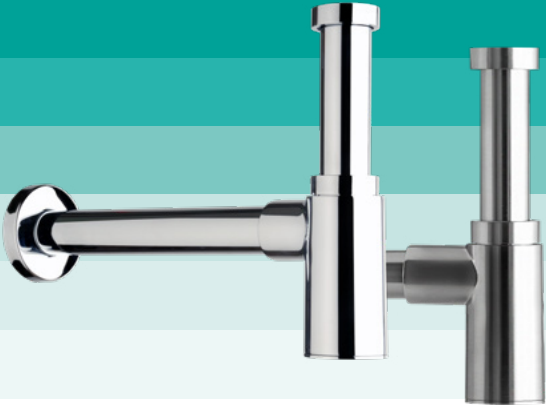


47 l/min



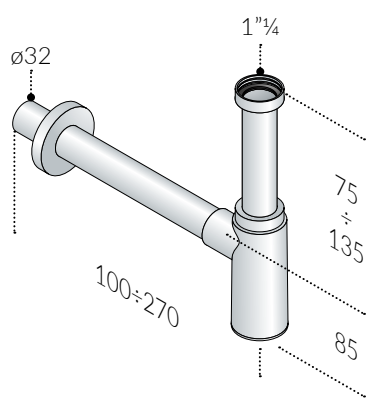
10 pcs.



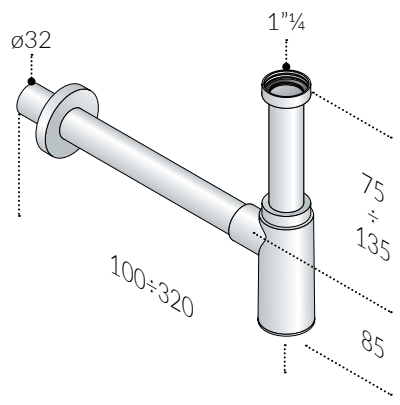


# 916 Maomao

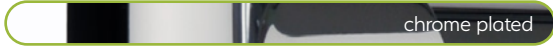
brass design traps



a. 916.324.5.K	size	packaging	category
<ul style="list-style-type: none"> <li>- chrome plated</li> <li>- inlet H. 120 × 1"¼</li> <li>- outlet L. 250 × ø32</li> <li>- brass flange ø70</li> </ul>	1"¼ × ø32	1×box / 10 (T)	12
	55 mm            44 l/min             10 pcs.		



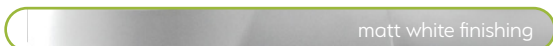
a. 916.334.5.K	size	packaging	category
<ul style="list-style-type: none"> <li>- chrome plated</li> <li>- inlet H. 120 × 1"¼</li> <li>- outlet L. 300 × ø32</li> <li>- brass flange ø70</li> </ul>	1"¼ × ø32	1×box / 10 (O)	12
	55 mm            44 l/min             10 pcs.		



b. 916.334.5.X	size	packaging	category
<ul style="list-style-type: none"> <li>- matt black finishing</li> <li>- inlet H. 120 × 1"¼</li> <li>- outlet L. 300 × ø32</li> <li>- brass flange ø70</li> </ul>	1"¼ × ø32	1×box / 10 (O)	12
	55 mm            44 l/min             10 pcs.		



c. 916.334.5.XD	size	packaging	category
<ul style="list-style-type: none"> <li>- matt white finishing</li> <li>- inlet H. 120 × 1"¼</li> <li>- outlet L. 300 × ø32</li> <li>- brass flange ø70</li> </ul>	1"¼ × ø32	1×box / 10 (O)	12
	55 mm            44 l/min             10 pcs.		



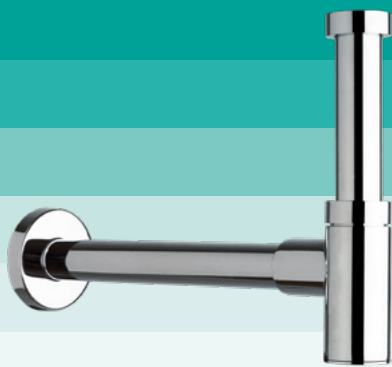
d. 916.334.5.Y2	size	packaging	category
<ul style="list-style-type: none"> <li>- brushed nickel finishing</li> <li>- inlet H. 120 × 1"¼</li> <li>- outlet L. 300 × ø32</li> <li>- brass flange ø70</li> </ul>	1"¼ × ø32	1×box / 10 (O)	12
	55 mm            44 l/min             10 pcs.		



**OTHER FINISHING AVAILABLE**

polished gold  
916.334.5.3

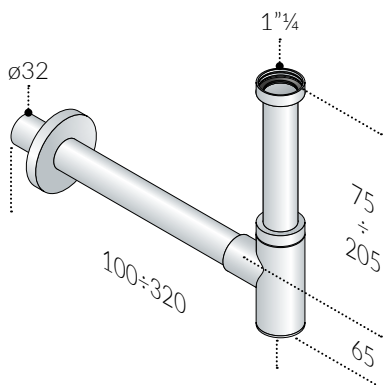
brushed bronze  
916.334.5.6



713

Toti lowered

chrome plated brass design traps with reduced encumbrance



a. 713.135.5.K

- inlet H. 165 × 1"¼
- outlet L. 300 × ø32
- brass flange ø80

size

1"¼ × ø32

packaging

1×box / 10 (O)

category

12



25 mm 46 l/min 10 pcs.



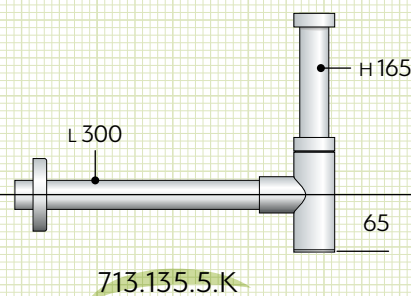
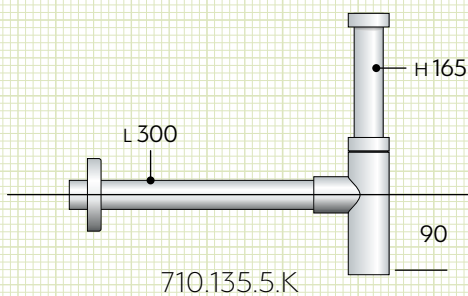
ECOLOGICAL EFFICIENCY



Production process with lower environmental impact  
For more informations see page 286

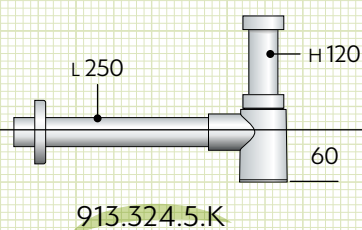
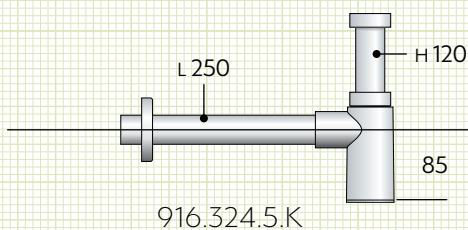
\* NOTE

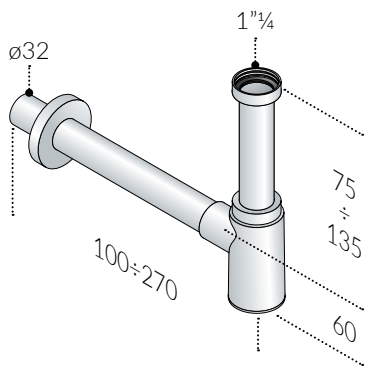
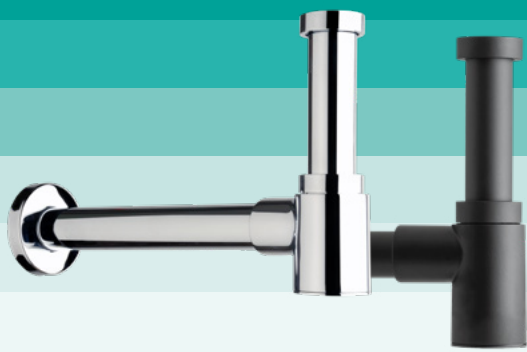
Toti lowered



\* NOTE

Maomao lowered



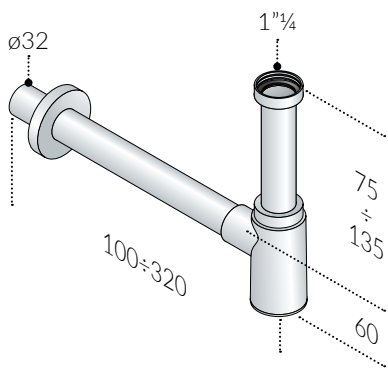


**a. 913.324.5.K**

- chrome plated
- inlet H. 120 × 1 1/4
- outlet L. 250 × 32
- brass flange 70

size packaging category

1 1/4 × 32 1×box / 10 (T) 12

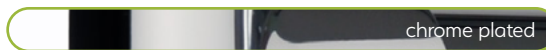


**a. 913.334.5.K**

- chrome plated
- inlet H. 120 × 1 1/4
- outlet L. 300 × 32
- brass flange 70

size packaging category

1 1/4 × 32 1×box / 10 (O) 12



**b. 913.334.5.X**

- matt black finishing
- inlet H. 120 × 1 1/4
- outlet L. 300 × 32
- brass flange 70

size packaging category

1 1/4 × 32 1×box / 10 (O) 12



**c. 913.334.5.XD**

- matt white finishing
- inlet H. 120 × 1 1/4
- outlet L. 300 × 32
- brass flange 70

size packaging category

1 1/4 × 32 1×box / 10 (O) 12



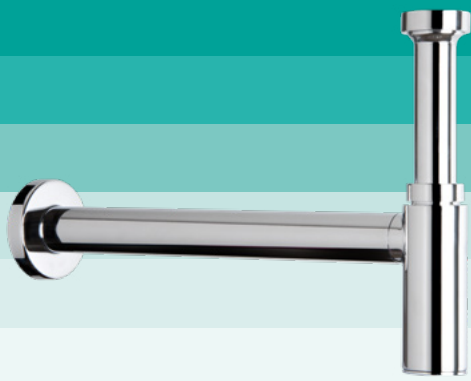
**d. 913.334.5.Y2**

- brushed nickel finishing
- inlet H. 120 × 1 1/4
- outlet L. 300 × 32
- brass flange 70

size packaging category

1 1/4 × 32 1×box / 10 (O) 12

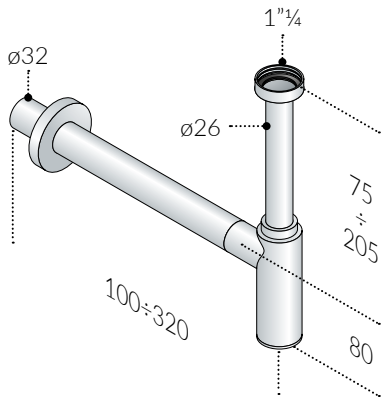




510

Toti mini

chrome plated brass design trap



**a. 510.135.5.K**

- inlet H. 165 × 1"¼ (ø26)
- outlet L. 300 × ø32
- brass flange ø70

size

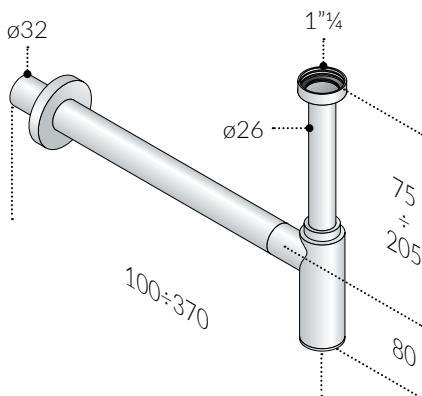
1"¼ × ø32

packaging

1×box / 10 (O)

category

12



**b. 510.165.5.K**

- inlet H. 165 × 1"¼ (ø26)
- outlet L. 350 × ø32
- brass flange ø70

size

1"¼ × ø32

packaging

1×box / 10 (O)

category

12



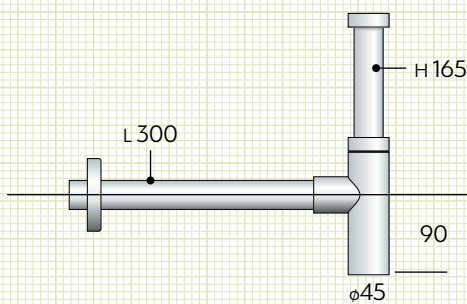
**ECOLOGICAL EFFICIENCY**



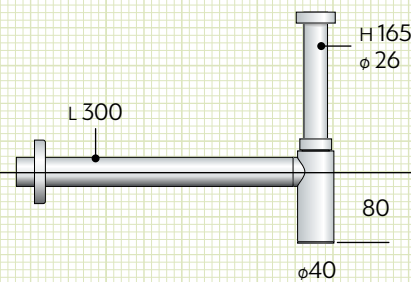
**Production process with lower environmental impact**

For more informations see page 286

**\* NOTES**



710.135.5.K



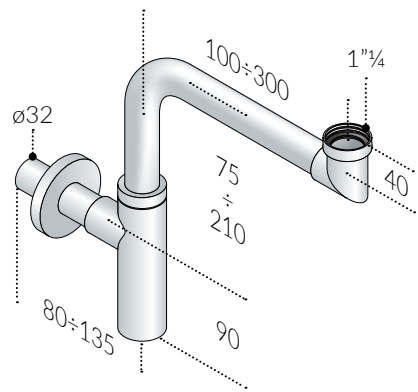
510.135.5.K



# 711 + 811 + 916

## Exec series

chrome plated brass design space-saver traps



### a. 711.215.5.K

TOTI EXEC

- inlet 285x165 x 1 1/4"
- outlet L. 100 x ø32
- brass flange ø80

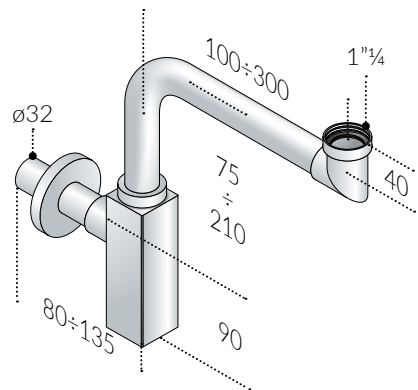
size	packaging	category
1 1/4 x ø32	1xbox / 8 (B)	12



#### ECOLOGICAL EFFICIENCY



**Production process with lower environmental impact**  
For more informations see page 286

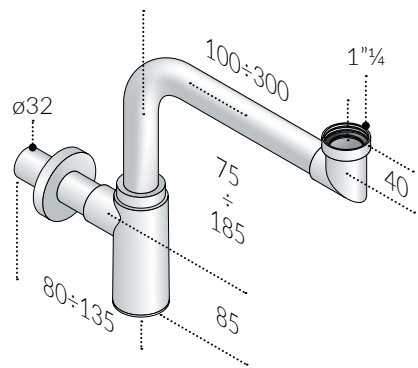


### a. 811.215.5.K

QUASAR EXEC

- inlet 285x165 x 1 1/4"
- outlet L. 100 x ø32
- brass flange ø80

size	packaging	category
1 1/4 x ø32	1xbox / 8 (B)	12



### a. 916.215.5.K

MAOMAO EXEC

- inlet 285x165 x 1 1/4"
- outlet L. 100 x ø32
- brass flange ø70

size	packaging	category
1 1/4 x ø32	1xbox / 8 (B)	12

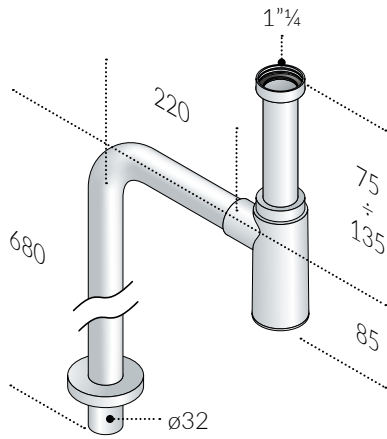


# 0916

## Maomao floor pipe

chrome plated brass design trap with floor outlet pipe

new



### a. 0916.415.5.K

- inlet H. 120 × 1 1/4"
- outlet 220×680 × 32
- brass flange 70

size

1 1/4 × 32



55 mm



44 l/min



packaging

1×box / 20 (M)



20 pcs.



new

category

12



### OTHER FINISHING AVAILABLE

matt black

0916.415.5.X

matt white

0916.415.5.XD

polished gold

0916.415.5.3

brushed nickel

0916.415.5.Y2

brushed bronze

0916.415.5.6

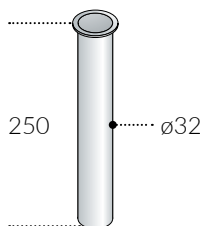


new

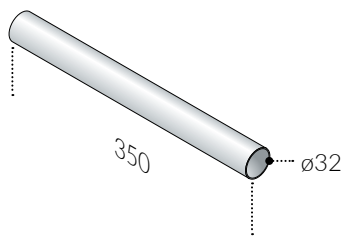
...

# spare pipes

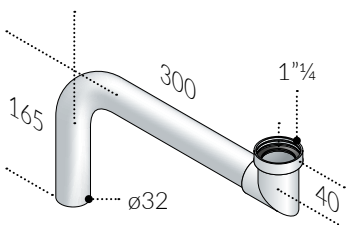
## for traps



a.	9980.250.5.K	size	packaging	category	new
	- inlet pipe H.250 - chrome plated - 1 1/4 x ø32	H.250 x 1 1/4	10xbag	08	
b.	9980.250.5.X	size	packaging	category	new
	- inlet pipe H.250 - matt balck finishing - 1 1/4 x ø32	H.250 x 1 1/4	10xbag	08	
c.	9980.250.5.XD	size	packaging	category	new
	- inlet pipe H.250 - matt white finishing - 1 1/4 x ø32	H.250 x 1 1/4	10xbag	08	
d.	9980.250.5.Y2	size	packaging	category	new
	- inlet pipe H.250 - brushed nickel finishing - 1 1/4 x ø32	H.250 x 1 1/4	10xbag	08	



a.	9978.350.5.K	size	packaging	category	new
	- outlet pipe L.350 - chrome plated - ø32	L.350 x ø32	10xbag	08	
b.	9978.350.5.X	size	packaging	category	new
	- outlet pipe L.350 - matt balck finishing - ø32	L.350 x ø32	10xbag	08	
c.	9978.350.5.XD	size	packaging	category	new
	- outlet pipe L.350 - matt white finishing - ø32	L.350 x ø32	10xbag	08	
d.	9978.350.5.Y2	size	packaging	category	new
	- outlet pipe L.350 - brushed nickel finishing - ø32	L.350 x ø32	10xbag	08	



a.	7114.423.5.K	size	packaging	category	new
	- space-saver inlet pipe 285x165 - chrome plated - 1 1/4 x ø32	1 1/4 x ø32	1xbox / 8 (B)	12	
b.	7114.423.5.XD	size	packaging	category	new
	- space-saver inlet pipe 285x165 - matt balck finishing - 1 1/4 x ø32	1 1/4 x ø32	1xbox / 8 (B)	12	
c.	7114.423.5.XD	size	packaging	category	new
	- space-saver inlet pipe 285x165 - matt white finishing - 1 1/4 x ø32	1 1/4 x ø32	1xbox / 8 (B)	12	
d.	7114.423.5.Y2	size	packaging	category	new
	- space-saver inlet pipe 285x165 - brushed nickel finishing - 1 1/4 x ø32	1 1/4 x ø32	1xbox / 8 (B)	12	

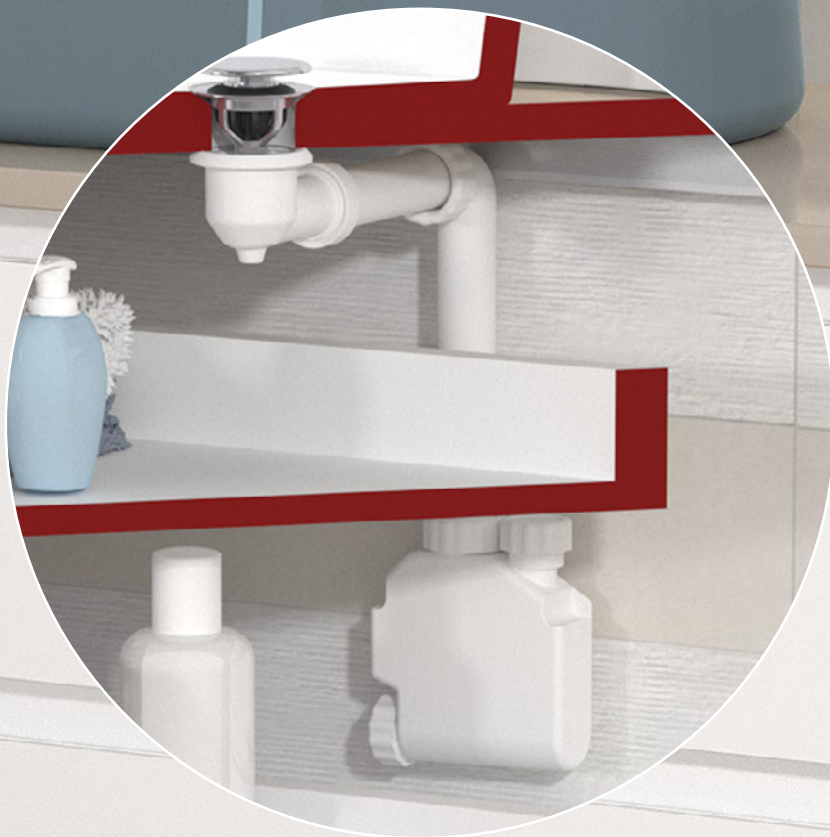


## Washbasin and bidet

- Mini Clicker -
- Clicker ABS + Ri-Cambio -
- Daisy -
- Saltarello -
- universal wastes -
- other wastes + Trotter -
- S-Pipe -
- Lux -
- S-Pipe + Lux bidet -
- Lux 50/95 + Lux 60/80 -
- S-Pipe + Lux floor pipe -
- S-Pipe + Lux drops convector pipe -
- reduced encumbrance traps -
- Europa series -
- Tea series -
- Robot series -
- Jolly + Jolly mini -
- Toti ABS -
- Maomao ABS new -
- S-Pipe + Lux ABS -
- other c.p. ABS traps -
- Toti + Maomao white ABS new -
- other white ABS traps -
- PP bottle traps -
- PP bottle traps for bidet -
- other PP bottle traps -
- PP tubular traps -
- Savoia -
- Mosquito -
- Chihuahua -
- Praktik bagno new -
- Chrono -
- Squid new -
- Squid + Tea new -
- PP space-saver traps -
- Mosquito 2 new -
- Squid 2 new -



for the sanitary ware image, special thanks to  
**technova**

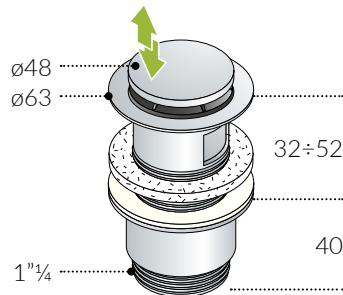


01



# 3530 Mini Clicker

chrome plated brass automatic waste



## a. 3530.360.5

- $\phi 48$  plug
- H. 60 threaded shaft
- H. 40  $\times 1\frac{1}{4}$  counter nut
- slotted

size

$\phi 63 \times 1\frac{1}{4}$

packaging

1 $\times$ box / 15 (l)

category

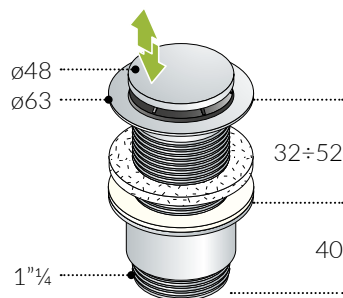
04



45 l/min



15 pcs.



## b. 3530.310.5

- $\phi 48$  plug
- H. 60 threaded shaft
- H. 40  $\times 1\frac{1}{4}$  counter nut
- unslotted

size

$\phi 63 \times 1\frac{1}{4}$

packaging

1 $\times$ box / 15 (l)

category

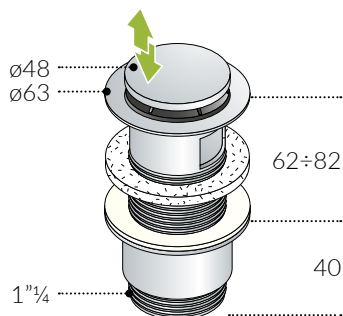
04



45 l/min



15 pcs.



## a. 3530.370.5

- $\phi 48$  plug
- H. 90 threaded shaft
- H. 40  $\times 1\frac{1}{4}$  counter nut
- slotted

size

$\phi 63 \times 1\frac{1}{4}$

packaging

1 $\times$ box / 15 (l)

category

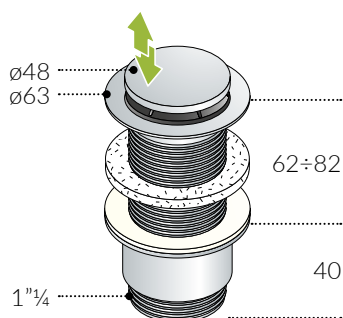
04



45 l/min



15 pcs.



## b. 3530.320.5

- $\phi 48$  plug
- H. 90 threaded shaft
- H. 40  $\times 1\frac{1}{4}$  counter nut
- unslotted

size

$\phi 63 \times 1\frac{1}{4}$

packaging

1 $\times$ box / 15 (l)

category

04



45 l/min



15 pcs.



SPARE PARTS / PLUG



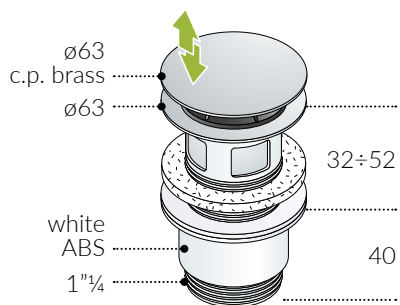
137.049.0

For more informations see page 252

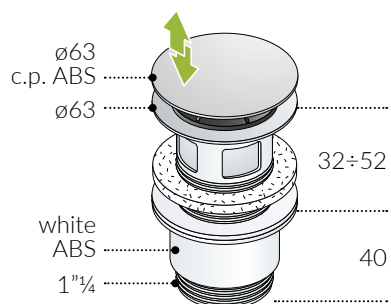
# 4830 + 4230 + 8120

## Clicker ABS + Ri-Cambio

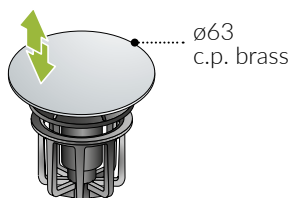
ABS automatic wastes and chrome plated brass plug to replace old simplex wastes



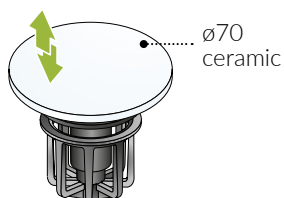
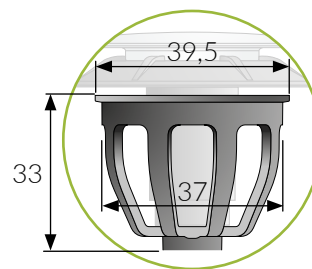
a.	4830.360.5	size	packaging	category
CLICKER ABS	<ul style="list-style-type: none"> <li>- ø63 c.p. brass plug</li> <li>- H. 60 ABS threaded shaft</li> <li>- H. 40 × 1 1/4 ABS counter nut</li> <li>- slotted</li> </ul>	ø63 × 1 1/4	1×box / 15 (I)	05
		40 l/min  15 pcs.		



b.	4230.360.5	size	packaging	category
CLICKER ABS	<ul style="list-style-type: none"> <li>- ø63 c.p. ABS plug</li> <li>- H. 60 ABS threaded shaft</li> <li>- H. 40 × 1 1/4 ABS counter nut</li> <li>- slotted</li> </ul>	ø63 × 1 1/4	1×box / 15 (I)	05
		40 l/min  15 pcs.		



a.	8120.378.5	size	packaging	category
RI-CAMBIO	<ul style="list-style-type: none"> <li>- chrome plated brass plug to replace the old simplex wastes</li> <li>- ø63 c.p. brass plug</li> <li>- hair-stop grid</li> <li>- for 1 1/4 wastes</li> <li>- check compatibility with other manufacturers' wastes</li> </ul>	ø63	1×bag / 10 (X)	08
		10 pcs.		



b.	8120.378.5.T	size	packaging	category
RI-CAMBIO	<ul style="list-style-type: none"> <li>- ø70 gloss white ceramic plug</li> <li>- hair-stop grid</li> <li>- for 1 1/4 wastes</li> </ul>	ø70	1×bag / 10 (X)	08
		10 pcs. <span style="background-color: green; color: white; border-radius: 50%; padding: 2px;">new</span>		

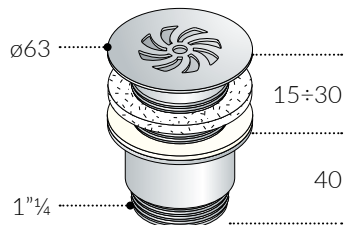
c.	8120.378.5.T1	size	packaging	category
RI-CAMBIO	<ul style="list-style-type: none"> <li>- ø70 matt white ceramic plug</li> <li>- hair-stop grid</li> <li>- for 1 1/4 wastes</li> </ul>	ø70	1×bag / 10 (X)	08
		10 pcs. <span style="background-color: green; color: white; border-radius: 50%; padding: 2px;">new</span>		

d.	8120.378.5.T2	size	packaging	category
RI-CAMBIO	<ul style="list-style-type: none"> <li>- ø70 matt black ceramic plug</li> <li>- hair-stop grid</li> <li>- for 1 1/4 wastes</li> </ul>	ø70	1×bag / 10 (X)	08
		10 pcs. <span style="background-color: green; color: white; border-radius: 50%; padding: 2px;">new</span>		



# 555 Daisy

chrome plated brass free-flow waste



## a. 555.067.5

- $\phi 63$  grid
- H. 40 threaded shaft
- H. 40  $\times$  1 1/4 counter nut
- unslotted

size

$\phi 63 \times 1 \frac{1}{4}$

packaging

1  $\times$  box / 15 (l)

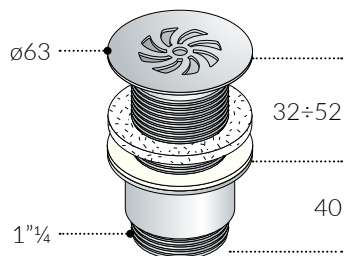
category

04



43 l/min

15 pcs.



## a. 555.060.5

- $\phi 63$  grid
- H. 60 threaded shaft
- H. 40  $\times$  1 1/4 counter nut
- unslotted

size

$\phi 63 \times 1 \frac{1}{4}$

packaging

1  $\times$  box / 15 (l)

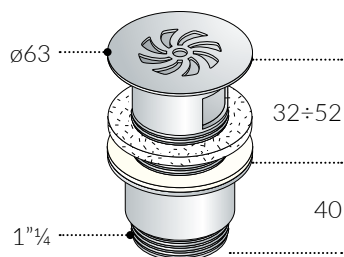
category

04



43 l/min

15 pcs.



## b. 555.160.5

- $\phi 63$  grid
- H. 60 threaded shaft
- H. 40  $\times$  1 1/4 counter nut
- slotted

size

$\phi 63 \times 1 \frac{1}{4}$

packaging

1  $\times$  box / 15 (l)

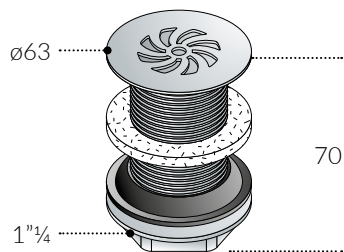
category

04



43 l/min

15 pcs.



## a. 555.061.5

- $\phi 63$  grid
- H. 60  $\times$  1 1/4 threaded shaft
- nickel-plated raw brass through-counter nut
- unslotted

size

$\phi 63 \times 1 \frac{1}{4}$

packaging

1  $\times$  box / 15 (l)

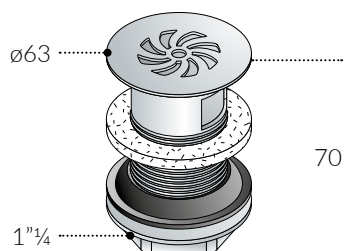
category

04



43 l/min

15 pcs.



## b. 555.161.5

- $\phi 63$  grid
- H. 60  $\times$  1 1/4 threaded shaft
- nickel-plated raw brass through-counter nut
- slotted

size

$\phi 63 \times 1 \frac{1}{4}$

packaging

1  $\times$  box / 15 (l)

category

04



43 l/min

15 pcs.



# 529 + 2529

## Saltarello

pop-up wastes



### a. 529.160.5

- in chrome plated brass
- $\phi 40$  chrome plated brass plug
- H. 60 threaded shaft
- H. 55 x 1"  $\frac{1}{4}$  counter nut
- without manual
- L. 180 s/steel rod

size

$\phi 63 \times 1" \frac{1}{4}$

packaging

1xbox / 15 (I)

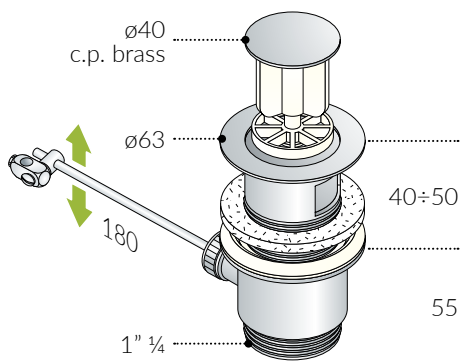
category

04



50+ l/min

15 pcs.



#### SPARE PARTS / PLUG



120.360.5

For more informations see page 252

### a. 2529.000.5

- in PP
- $\phi 40$  stainless steel plug
- H. 60 threaded shaft
- H. 50 x 1"  $\frac{1}{4}$  counter nut
- without manual
- L. 180 s/steel rod

size

$\phi 63 \times 1" \frac{1}{4}$

packaging

1xbag / 60 (Q)

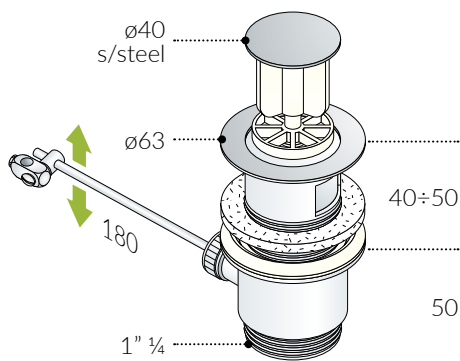
category

05



49 l/min

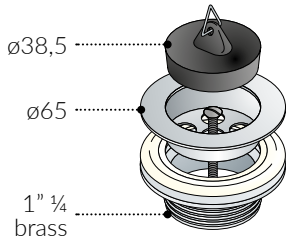
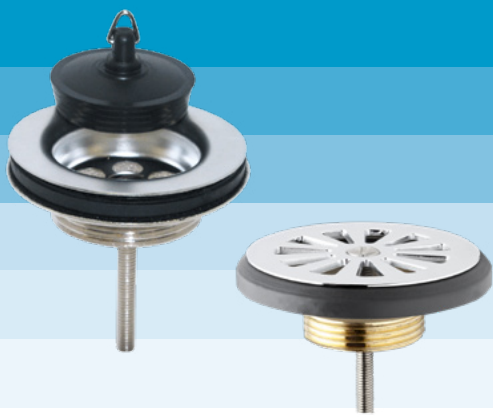
60 pcs.



# 34 + 55

## Universal wastes

brass universal wastes



### a. 34.610.5

- plug with triangle
- s/steel plate  $\phi 65$
- brass valve bottom  $1\frac{1}{4}$
- screw L. 60

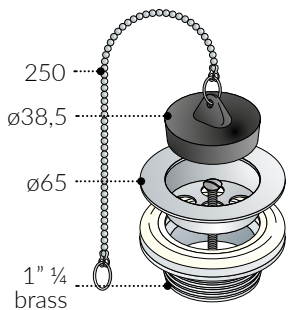
size packaging category

$\phi 65 \times 1\frac{1}{4}$  5×box / 150 (B) 04



SPARE PARTS / PLUG

**120.120.5**  
For more informations see page 253



### b. 34.620.5

- plug with ball-chain and ring
- s/steel plate  $\phi 65$
- brass valve bottom  $1\frac{1}{4}$
- screw L. 60

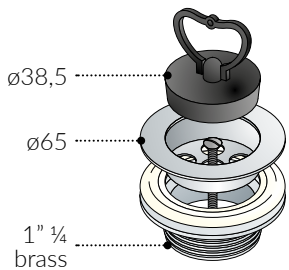
size packaging category

$\phi 65 \times 1\frac{1}{4}$  5×box / 150 (B) 04



SPARE PARTS / PLUG

**120.111.5**  
For more informations see page 253



### c. 34.630.5

- plug with handle
- s/steel plate  $\phi 65$
- brass valve bottom  $1\frac{1}{4}$
- screw L. 60

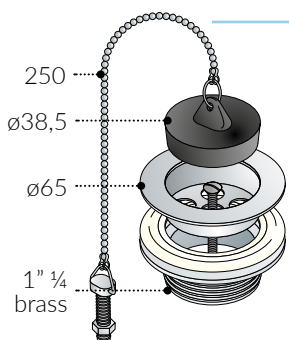
size packaging category

$\phi 65 \times 1\frac{1}{4}$  5×box / 150 (B) 04



SPARE PARTS / PLUG

**120.170.5**  
For more informations see page 253

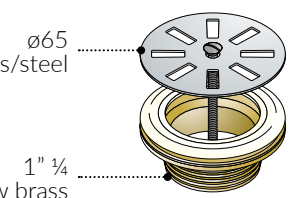


### d. 34.640.5

- plug with ball-chain and stay
- s/steel plate  $\phi 65$
- brass valve bottom  $1\frac{1}{4}$
- screw L. 60

size packaging category

$\phi 65 \times 1\frac{1}{4}$  5×box / 150 (B) 04



### a. 55.660.5

- stainless steel plate  $\phi 65$
- raw brass valve bottom  $1\frac{1}{4}$
- screw L. 60

size packaging category

$\phi 65 \times 1\frac{1}{4}$  10×box / 50 (T) 04



234

# Universal wastes

## PP universal wastes

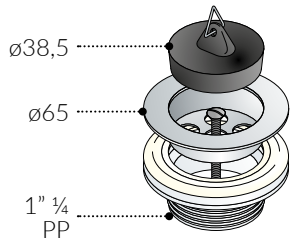


### a. 234.610.5

- plug with triangle
- s/steel plate  $\phi 65$
- PP valve bottom  $1\frac{1}{4}$
- screw L. 60

size	packaging	category
------	-----------	----------

$\phi 65 \times 1\frac{1}{4}$	10×bag / 100 (T)	05
-------------------------------	------------------	----



#### SPARE PARTS / PLUG

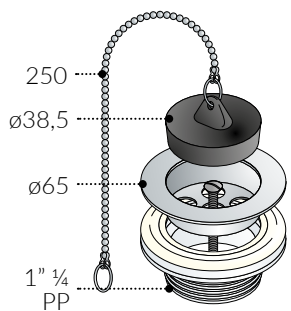
**120.120.5**  
For more informations see page 253

### b. 234.620.5

- plug with ball-chain and ring
- s/steel plate  $\phi 65$
- PP valve bottom  $1\frac{1}{4}$
- screw L. 60

size	packaging	category
------	-----------	----------

$\phi 65 \times 1\frac{1}{4}$	10×bag / 100 (T)	05
-------------------------------	------------------	----



#### SPARE PARTS / PLUG

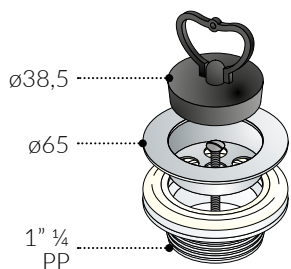
**120.111.5**  
For more informations see page 253

### c. 234.630.5

- plug with handle
- s/steel plate  $\phi 65$
- PP valve bottom  $1\frac{1}{4}$
- screw L. 60

size	packaging	category
------	-----------	----------

$\phi 65 \times 1\frac{1}{4}$	10×bag / 100 (T)	05
-------------------------------	------------------	----



#### SPARE PARTS / PLUG

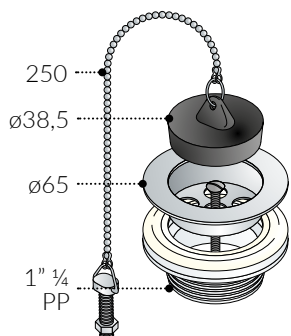
**120.170.5**  
For more informations see page 253

### d. 234.640.5

- plug with ball-chain and stay
- s/steel plate  $\phi 65$
- PP valve bottom  $1\frac{1}{4}$
- screw L. 60

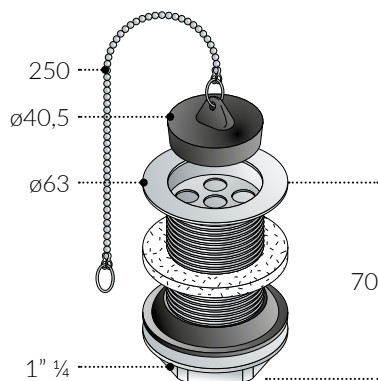
size	packaging	category
------	-----------	----------

$\phi 65 \times 1\frac{1}{4}$	10×bag / 100 (T)	05
-------------------------------	------------------	----



## Other wastes

chrome plated brass wastes



## a. 29.020.5

- plug with ball-chain and ring
- $\phi 63$  grid
- H. 70  $\times$  1"  $\frac{1}{4}$  threaded shaft
- nickel-plated raw brass
- through-counter nut
- unslotted

size

 $\phi 63 \times 1" \frac{1}{4}$ 

packaging

1 $\times$ box / 15 (l)

category

04



41 l/min



15 pcs.

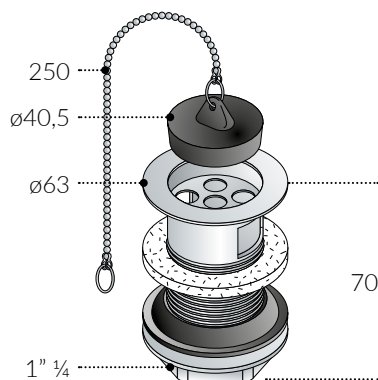


SPARE PARTS / PLUG



120.811.5

For more informations see page 253



## a. 29.120.5

- plug with ball-chain and ring
- $\phi 63$  grid
- H. 70  $\times$  1"  $\frac{1}{4}$  threaded shaft
- nickel-plated raw brass
- through-counter nut
- slotted

size

 $\phi 63 \times 1" \frac{1}{4}$ 

packaging

1 $\times$ box / 15 (l)

category

04



41 l/min



15 pcs.

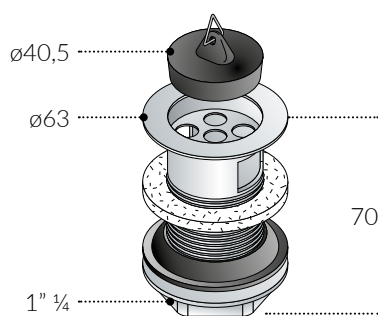


SPARE PARTS / PLUG



120.811.5

For more informations see page 253



## b. 29.110.5

- plug with triangle
- $\phi 63$  grid
- H. 70  $\times$  1"  $\frac{1}{4}$  threaded shaft
- nickel-plated raw brass
- through-counter nut
- slotted

size

 $\phi 63 \times 1" \frac{1}{4}$ 

packaging

1 $\times$ box / 15 (l)

category

04



41 l/min



15 pcs.

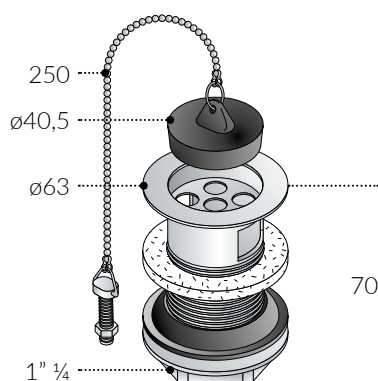


SPARE PARTS / PLUG



120.820.5

For more informations see page 253



## c. 29.140.5

- plug with ball-chain and stay
- $\phi 63$  grid
- H. 70  $\times$  1"  $\frac{1}{4}$  threaded shaft
- nickel-plated raw brass
- through-counter nut
- slotted

size

 $\phi 63 \times 1" \frac{1}{4}$ 

packaging

1 $\times$ box / 15 (l)

category

04



41 l/min



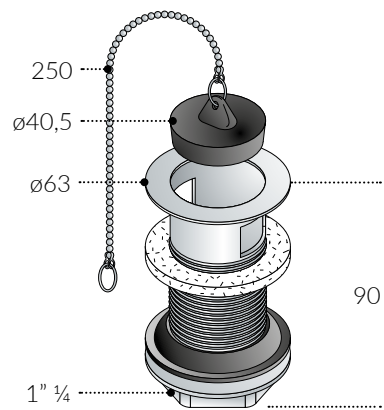
15 pcs.



30 + 830

# Other wastes + Trotter

chrome plated brass wastes



**a. 30.120.5**

- plug with ball-chain and ring
- ø63 grid
- H. 90 × 1" ¼ threaded shaft
- nickel-plated raw brass through-counter nut
- slotted

size      packaging      category

ø63 × 1" ¼      1×box / 15 (l)      04

42 l/min      15 pcs.



SPARE PARTS / PLUG

120.811.5  
For more informations see page 253

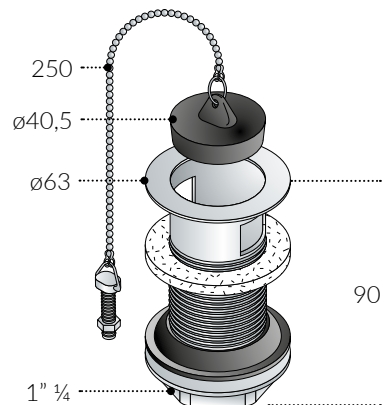
**b. 30.140.5**

- plug with ball-chain and stay
- ø63 grid
- H. 90 × 1" ¼ threaded shaft
- nickel-plated raw brass through-counter nut
- slotted

size      packaging      category

ø63 × 1" ¼      1×box / 15 (l)      04

42 l/min      15 pcs.



**a. 830.180.5**

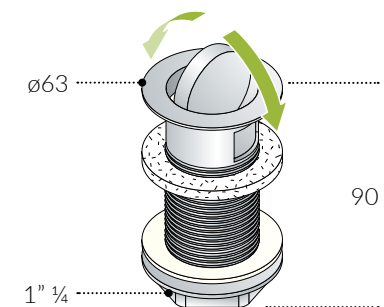
TROTTER

- ø63 grid with rotating anti-theft plug
- H. 90 × 1" ¼ threaded shaft
- nickel-plated raw brass through-counter nut
- slotted

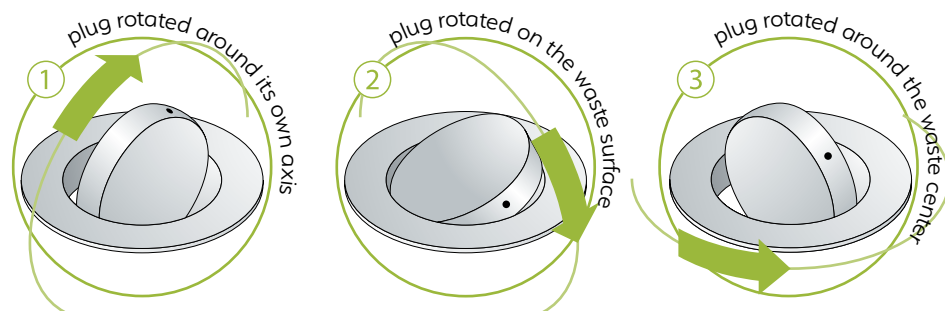
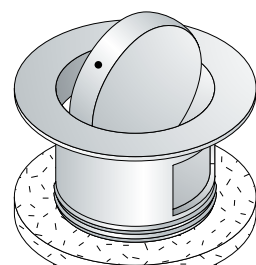
size      packaging      category

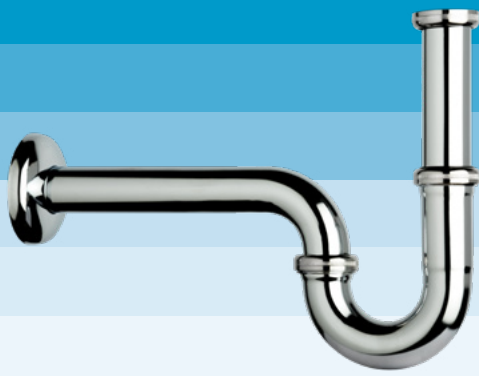
ø63 × 1" ¼      1×box / 15 (l)      04

50+ l/min      15 pcs.



\* NOTES

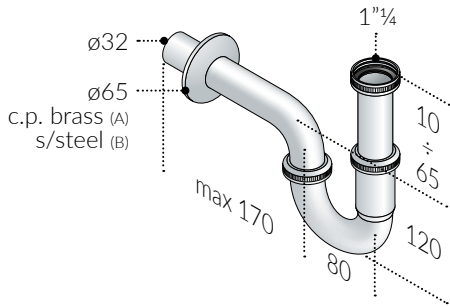




26 + 25

# S-Pipe

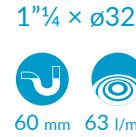
chrome plated brass tubular trap



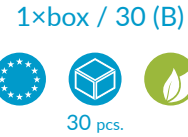
**a. 26.715.5**

- inlet H. 75 × 1"¼
- outlet L. 170 × ø32
- c.p. brass flange ø65

size



packaging



category

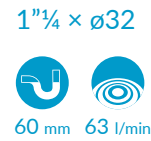
02



**b. 26.711.5**

- inlet H. 75 × 1"¼
- outlet L. 170 × ø32
- s/steel flange ø65

size

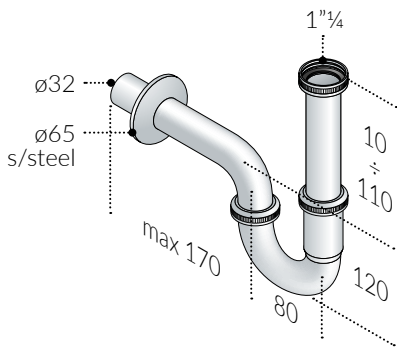


packaging



category

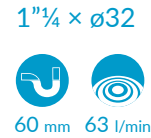
02



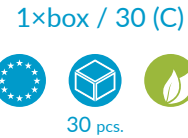
**a. 26.911.5**

- inlet H. 120 × 1"¼
- outlet L. 170 × ø32
- s/steel flange ø65

size

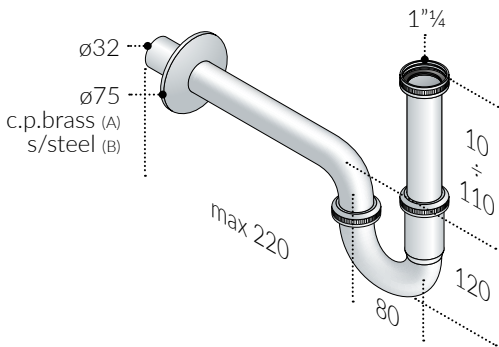


packaging



category

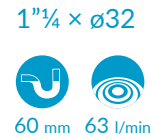
02



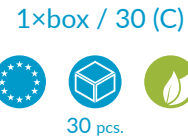
**a. 26.926.5**

- inlet H. 120 × 1"¼
- outlet L. 220 × ø32
- c.p. brass flange ø75

size



packaging



category

02



**b. 26.922.5**

- inlet H. 120 × 1"¼
- outlet L. 220 × ø32
- s/steel flange ø75

size

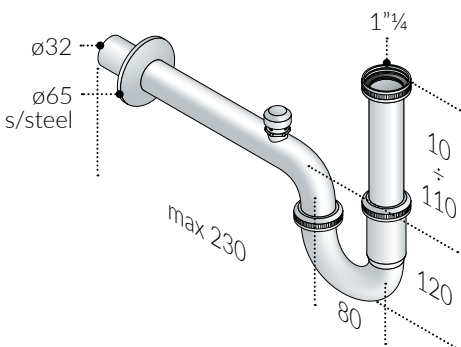


packaging



category

02



**a. 26.952.5**

- inlet H. 120 × 1"¼
- outlet L. 230 × ø32 with aerator
- s/steel flange ø65

size



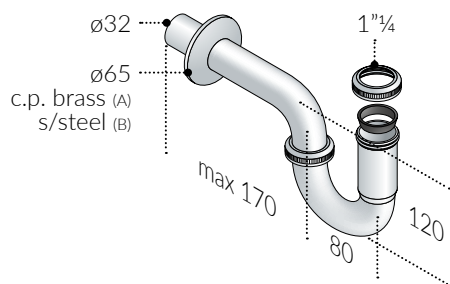
packaging



category

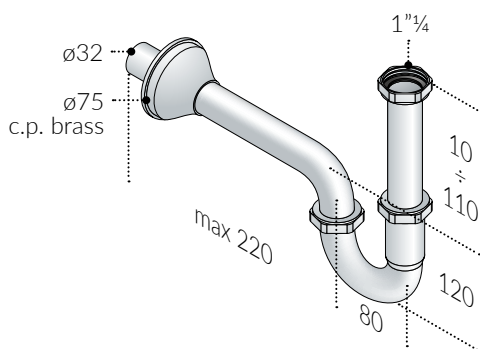
02





a. 26.515.5	size	packaging	category
<ul style="list-style-type: none"> <li>- without inlet pipe</li> <li>- inlet 1 1/4</li> <li>- outlet L. 170 x ø32</li> <li>- c.p. brass flange ø65</li> </ul>	1 1/4 x ø32	1xbox / 30 (B)	02
	60 mm	30 pcs.	

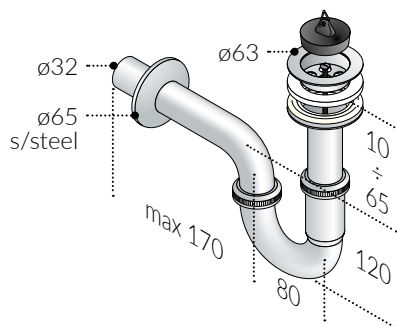
b. 26.511.5	size	packaging	category
<ul style="list-style-type: none"> <li>- without inlet pipe</li> <li>- inlet 1 1/4</li> <li>- outlet L. 170 x ø32</li> <li>- s/steel flange ø65</li> </ul>	1 1/4 x ø32	1xbox / 30 (B)	02
	60 mm	30 pcs.	



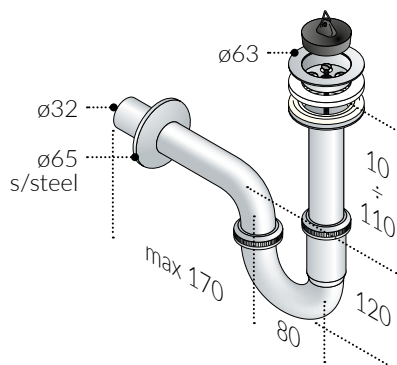
a. 26.423.5	size	packaging	category
<ul style="list-style-type: none"> <li>- inlet H. 120 x 1 1/4</li> <li>- outlet L. 220 x ø32</li> <li>- c.p. brass flange ø75</li> <li>- with brass hexagonal nuts</li> </ul>	1 1/4 x ø32	1xbox / 30 (C)	02
	60 mm	63 l/min	30 pcs.

#### OTHER FINISHING AVAILABLE

<b>matt black</b> 26.423.5.X	<b>matt white</b> 26.423.5.XD	<b>polished gold</b> 26.423.5.3	<b>brushed nickel</b> 26.423.5.Y2	<b>brushed bronze</b> 26.423.5.6
---------------------------------	----------------------------------	------------------------------------	--------------------------------------	-------------------------------------



a. 25.711.5	size	packaging	category
<ul style="list-style-type: none"> <li>- with universal waste ø63 plug with triangle</li> <li>- inlet H. 75</li> <li>- outlet L. 170 x ø32</li> <li>- s/steel flange ø65</li> </ul>	1 1/4 x ø32	1xbox / 30 (C)	02
	60 mm	30 l/min	30 pcs.



b. 25.911.5	size	packaging	category
<ul style="list-style-type: none"> <li>- with universal waste ø63 plug with triangle</li> <li>- inlet H. 120</li> <li>- outlet L. 170 x ø32</li> <li>- s/steel flange ø65</li> </ul>	ø63 x ø32	1xbox / 30 (C)	02
	60 mm	30 l/min	30 pcs.

#### ECOLOGICAL EFFICIENCY

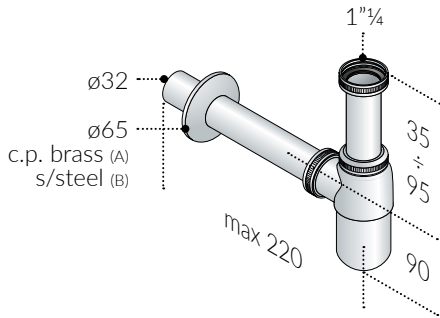
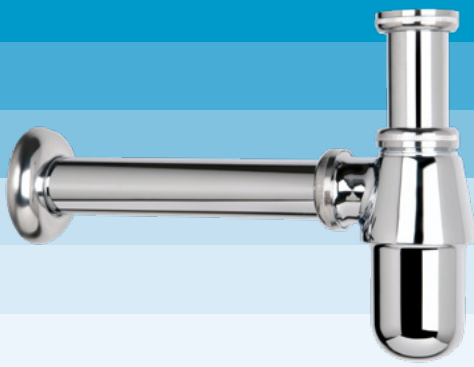


Production process with lower environmental impact

For more informations see page 286

# 19 Lux

chrome plated brass bottle trap



## a. 19.215.5

- inlet H. 75 × 1"¼
- outlet L. 190 × ø32
- c.p. brass flange ø65

size

1"¼ × ø32  
50 mm 46 l/min

packaging

1×box / 30 (B)  
30 pcs.

category

01



## b. 19.211.5

- inlet H. 75 × 1"¼
- outlet L. 190 × ø32
- s/steel flange ø65

size

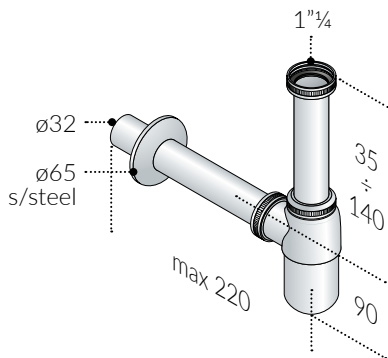
1"¼ × ø32  
50 mm 46 l/min

packaging

1×box / 30 (B)  
30 pcs.

category

01



## a. 19.411.5

- inlet H. 120 × 1"¼
- outlet L. 190 × ø32
- s/steel flange ø65

size

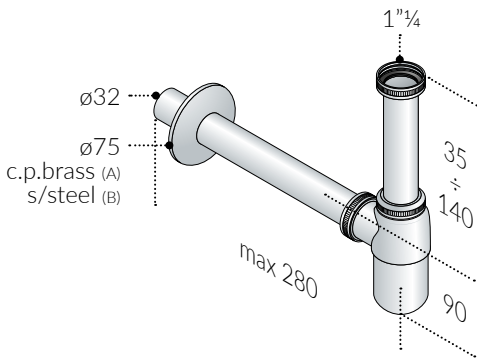
1"¼ × ø32  
50 mm 46 l/min

packaging

1×box / 30 (B)  
30 pcs.

category

01



## a. 19.426.5

- inlet H. 120 × 1"¼
- outlet L. 250 × ø32
- c.p. brass flange ø75

size

1"¼ × ø32  
50 mm 46 l/min

packaging

1×box / 30 (C)  
30 pcs.

category

01



## b. 19.422.5

- inlet H. 120 × 1"¼
- outlet L. 250 × ø32
- s/steel flange ø75

size

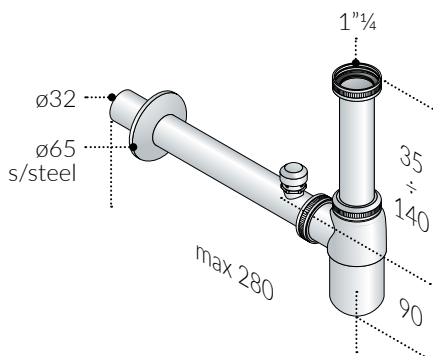
1"¼ × ø32  
50 mm 46 l/min

packaging

1×box / 30 (C)  
30 pcs.

category

01



## a. 19.452.5

- inlet H. 120 × 1"¼
- outlet L. 250 × ø32 with aerator
- s/steel flange ø65

size

1"¼ × ø32  
50 mm 46 l/min

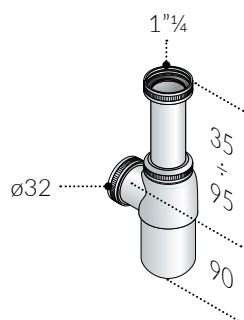
packaging




1×box / 30 (C)  
30 pcs.




category

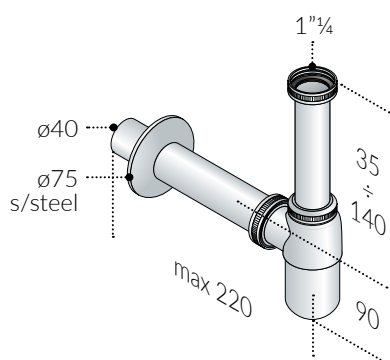
01








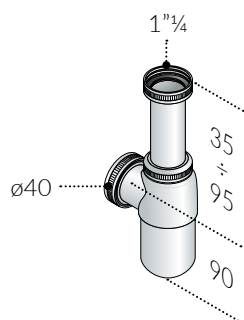





a. 19.200.5	size	packaging	category
<ul style="list-style-type: none"> <li>- inlet H. 75 × 1"¼</li> <li>- without outlet pipe</li> <li>- outlet ø32</li> <li>- without flange</li> </ul>	1"¼ × ø32	1×box / 30 (B)	01
	 		
	50 mm 30 pcs.		

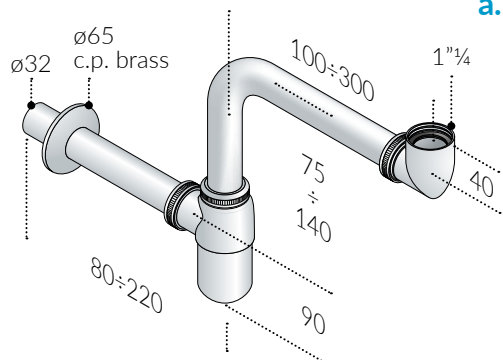
b. 19.200.5.1	size	packaging	category
<ul style="list-style-type: none"> <li>- in raw nickel plated brass</li> <li>- inlet H. 75 × 1"¼</li> <li>- without outlet pipe</li> <li>- outlet ø32</li> <li>- without flange</li> </ul>	1"¼ × ø32	1×box / 30 (B)	01
	 		
	50 mm 30 pcs.		









a. 19.912.6	size	packaging	category
<ul style="list-style-type: none"> <li>- inlet H. 120 × 1"¼</li> <li>- outlet L. 190 × ø40</li> <li>- s/steel flange ø75</li> </ul>	1"¼ × ø40	1×box / 30 (B)	01
	   		
	50 mm 46 l/min 30 pcs.		



a. 19.700.6	size	packaging	category
<ul style="list-style-type: none"> <li>- inlet H. 75 × 1"¼</li> <li>- without outlet pipe</li> <li>- outlet ø40</li> <li>- without flange</li> </ul>	1"¼ × ø40	1×box / 30 (B)	01
	 		
	50 mm 30 pcs.		



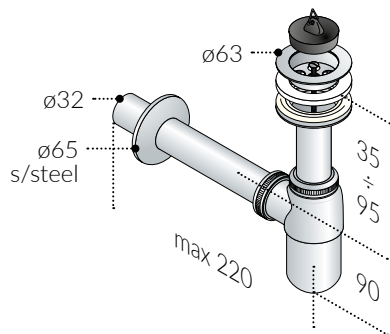
a. 911.611.5	size	packaging	category
<ul style="list-style-type: none"> <li>- with space-saver inlet pipe</li> <li>- inlet 285×165 × 1"¼</li> <li>- outlet L. 190 × ø32</li> <li>- c.p. brass flange ø65</li> </ul>	1"¼ × ø32	1×box / 8 (B)	01
	    		
	50 mm 46 l/min 8 pcs.		



20

Lux

chrome plated brass bottle trap with universal waste

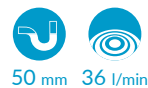


**a. 20.711.5**

- with universal waste  $\varnothing 63$  plug with triangle
- inlet H. 75
- outlet L. 190  $\times$   $\varnothing 52$
- s/steel flange  $\varnothing 65$

size

$\varnothing 63 \times \varnothing 32$



packaging

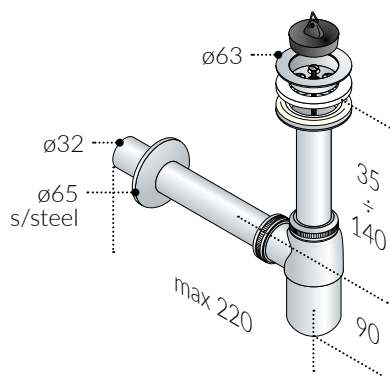
1 $\times$ box / 30 (B)



30 pcs.

category

01

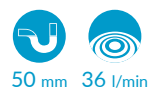


**b. 20.911.5**

- with universal waste  $\varnothing 63$  plug with triangle
- inlet H. 120
- outlet L. 190  $\times$   $\varnothing 32$
- s/steel flange  $\varnothing 65$

size

$\varnothing 63 \times \varnothing 32$



packaging

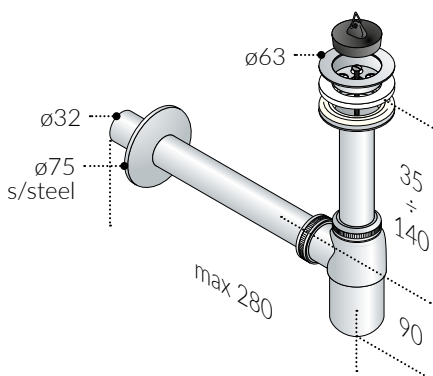
1 $\times$ box / 30 (B)



30 pcs.

category

01

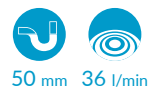


**c. 20.918.5**

- with universal waste  $\varnothing 63$  plug with triangle
- inlet H. 120
- outlet L. 250  $\times$   $\varnothing 32$
- s/steel flange  $\varnothing 75$

size

$\varnothing 63 \times \varnothing 32$



packaging

1 $\times$ box / 30 (C)

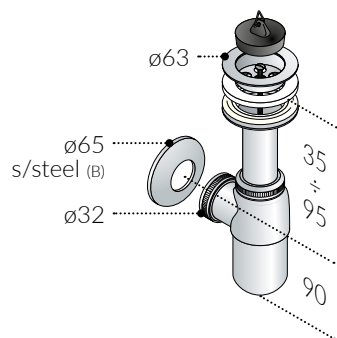





30 pcs.




category

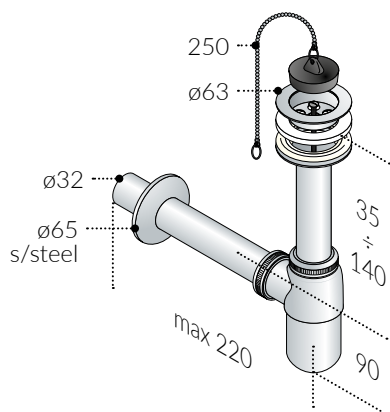
01








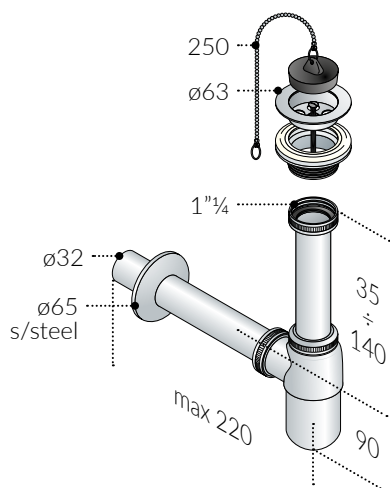



a. 20.710.5	size	packaging	category
<ul style="list-style-type: none"> <li>- with universal waste <math>\phi 63</math> plug with triangle</li> <li>- inlet H. 75</li> <li>- without outlet pipe</li> <li>- outlet <math>\phi 32</math></li> <li>- without flange</li> </ul>	$\phi 63 \times \phi 32$	1xbox / 30 (B)	01
	  50 mm 30 pcs.		

b. 20.714.5	size	packaging	category
<ul style="list-style-type: none"> <li>- with universal waste <math>\phi 63</math> plug with triangle</li> <li>- inlet H. 75</li> <li>- without outlet pipe</li> <li>- outlet <math>\phi 32</math></li> <li>- s/steel flange <math>\phi 65</math></li> </ul>	$\phi 63 \times \phi 32$	1xbox / 30 (B)	01
	  50 mm 30 pcs.		



a. 20.941.5	size	packaging	category
<ul style="list-style-type: none"> <li>- with universal waste <math>\phi 63</math> plug with ball-chain and ring</li> <li>- inlet H. 120</li> <li>- outlet L. 190 <math>\times</math> <math>\phi 32</math></li> <li>- s/steel flange <math>\phi 65</math></li> </ul>	$\phi 63 \times \phi 32$	1xbox / 30 (B)	01
	    50 mm 36 l/min 30 pcs.		

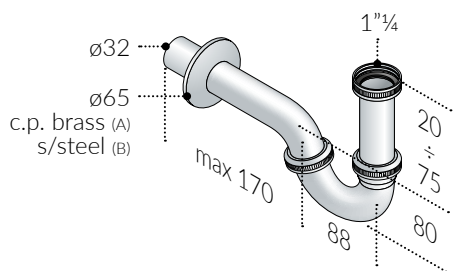


a. 20.421.5	size	packaging	category
<ul style="list-style-type: none"> <li>- with universal waste <math>\phi 63</math> plug with ball-chain and ring</li> <li>- inlet H. 120 <math>\times</math> 1"1/4</li> <li>- outlet L. 190 <math>\times</math> <math>\phi 32</math></li> <li>- s/steel flange <math>\phi 65</math></li> </ul>	$\phi 63 \times \phi 32$	1xbox / 30 (C)	01
	    50 mm 36 l/min 30 pcs.		

# 28 + 519

## S-Pipe + Lux bidet

chrome plated brass traps for bidet



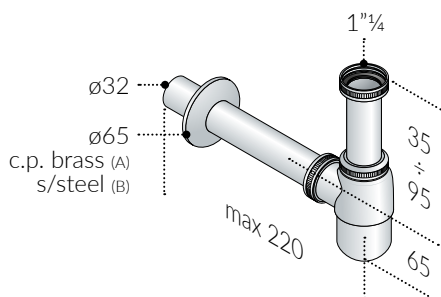
a.	28.715.5	size	packaging	category
S-PIPE BIDET	- inlet	H. 75 × 1 1/4	1 1/4 × ø32	1×box / 30 (B) 02
	- outlet	L. 170 × ø32		
	- c.p. brass flange	ø65		

b.	28.711.5	size	packaging	category
S-PIPE BIDET	- inlet	H. 75 × 1 1/4	1 1/4 × ø32	1×box / 30 (B) 02
	- outlet	L. 170 × ø32		
	- s/steel flange	ø65		

**ECOLOGICAL EFFICIENCY**  
**Production process with lower environmental impact**  
 For more informations see page 286

**OTHER FINISHING AVAILABLE (with different features)**

<b>matt black</b> 28.423.5.X	<b>matt white</b> 28.423.5.XD	<b>polished gold</b> 28.423.5.3	<b>brushed nickel</b> 28.423.5.Y2	<b>brushed bronze</b> 28.423.5.6
---------------------------------	----------------------------------	------------------------------------	--------------------------------------	-------------------------------------

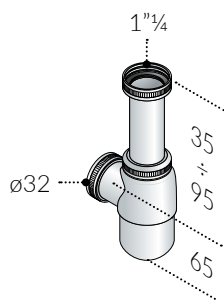


a.	519.215.5	size	packaging	category
LUX BIDET	- inlet	H. 75 × 1 1/4	1 1/4 × ø32	1×box / 30 (B) 01
	- outlet	L. 190 × ø32		
	- c.p. brass flange	ø65		

b.	519.211.5	size	packaging	category
LUX BIDET	- inlet	H. 75 × 1 1/4	1 1/4 × ø32	1×box / 30 (B) 01
	- outlet	L. 190 × ø32		
	- s/steel flange	ø65		

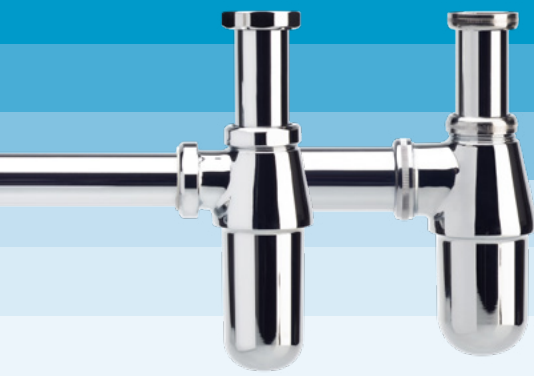
**OTHER FINISHING AVAILABLE (with different features)**

<b>matt black</b> 507.423.5.X	<b>matt white</b> 507.423.5.XD	<b>polished gold</b> 507.423.5.3	<b>brushed nickel</b> 507.423.5.Y2	<b>brushed bronze</b> 507.423.5.6
----------------------------------	-----------------------------------	-------------------------------------	---------------------------------------	--------------------------------------



a.	519.200.5	size	packaging	category
LUX BIDET	- inlet	H. 75 × 1 1/4	1 1/4 × ø32	1×box / 30 (B) 01
	- without outlet pipe			
	- outlet	ø32		
- without flange				

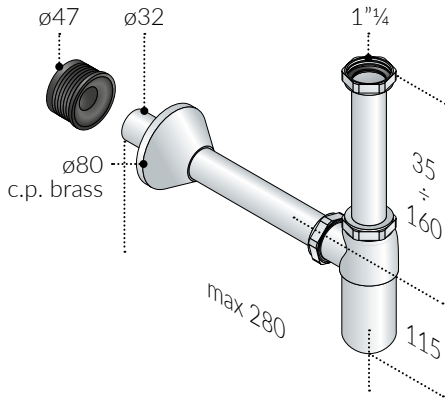
b.	519.200.5.1	size	packaging	category
LUX BIDET	- in raw nickel plated brass		1 1/4 × ø32	1×box / 30 (B) 01
	- inlet	H. 75 × 1 1/4		
	- without outlet pipe			
	- outlet	ø32		
	- without flange			



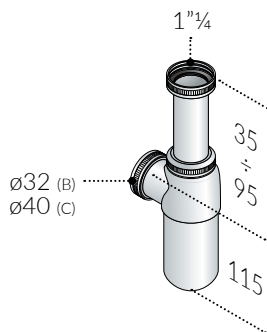
# 419 + 619

## Lux 50/95 + Lux 60/80

chrome plated brass bottle traps with bigger cup

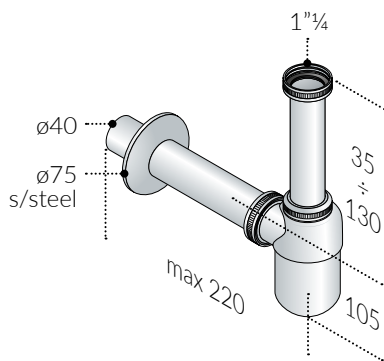


a.	419.129.5	size	packaging	category
LUX 50/95	<ul style="list-style-type: none"> <li>- cup <math>\phi 50</math> H. 95 with higher water seal</li> <li>- inlet H. 150 <math>\times</math> 1" <math>\frac{1}{4}</math></li> <li>- outlet L. 250 <math>\times</math> <math>\phi 32</math></li> <li>- c.p. brass flange <math>\phi 80</math></li> <li>- with wall connector</li> <li>- with brass hexagonal nuts</li> </ul>	1" $\frac{1}{4}$ $\times$ $\phi 32$	1 $\times$ box / 30 (C)	01
		 75 mm 46 l/min 30 pcs.		



b.	419.200.5	size	packaging	category
	<ul style="list-style-type: none"> <li>- cup <math>\phi 50</math> H. 95 with higher water seal</li> <li>- inlet H. 75 <math>\times</math> 1" <math>\frac{1}{4}</math></li> <li>- without outlet pipe</li> <li>- outlet <math>\phi 32</math></li> <li>- without flange</li> </ul>	1" $\frac{1}{4}$ $\times$ $\phi 32$	1 $\times$ box / 30 (B)	01
		 75 mm 46 l/min 30 pcs.		

c.	419.700.6	size	packaging	category
	<ul style="list-style-type: none"> <li>- cup <math>\phi 50</math> H. 95 with higher water seal</li> <li>- inlet H. 75 <math>\times</math> 1" <math>\frac{1}{4}</math></li> <li>- without outlet pipe</li> <li>- outlet <math>\phi 40</math></li> <li>- without flange</li> </ul>	1" $\frac{1}{4}$ $\times$ $\phi 40$	1 $\times$ box / 30 (B)	01
		 75 mm 46 l/min 30 pcs.		



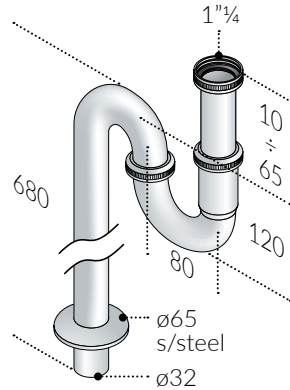
a.	619.912.6	size	packaging	category
LUX 60/80	<ul style="list-style-type: none"> <li>- cup <math>\phi 60</math> H. 85 with bigger water volume</li> <li>- inlet H. 120 <math>\times</math> 1" <math>\frac{1}{4}</math></li> <li>- outlet L. 190 <math>\times</math> <math>\phi 40</math></li> <li>- s/steel flange <math>\phi 75</math></li> </ul>	1" $\frac{1}{4}$ $\times$ $\phi 40$	1 $\times$ box / 30 (C)	01
		 50 mm 66 l/min 30 pcs.		



26 + 019 + 020

## S-Pipe + Lux floor pipe

chrome plated brass traps with floor outlet pipe



- a. 26.791.5**
- S-PIPE LOOR PIPE**
- with floor pipe
  - inlet H. 75 × 1"¼
  - outlet H. 680 × ø32
  - s/steel flange ø65

size	packaging	category
1"¼ × ø32	1×box / 20 (D)	02
60 mm	63 l/min	20 pcs.



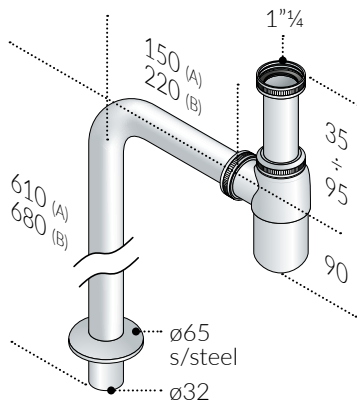
**ECOLOGICAL EFFICIENCY**

**Production process with lower environmental impact**

For more informations see page 286

OTHER FINISHING AVAILABLE (with different features)

<b>matt black</b> 26.493.5.X	<b>matt white</b> 26.493.5.XD	<b>polished gold</b> 26.493.5.3	<b>brushed nickel</b> 26.493.5.Y2	<b>brushed bronze</b> 26.493.5.6
---------------------------------	----------------------------------	------------------------------------	--------------------------------------	-------------------------------------



- a. 019.701.5**
- LUX FLOOR PIPE**
- with floor pipe
  - inlet H. 75 × 1"¼
  - outlet 150×610 × ø32
  - s/steel flange ø65

size	packaging	category
1"¼ × ø32	1×box / 20 (M)	01
50 mm	46 l/min	20 pcs.



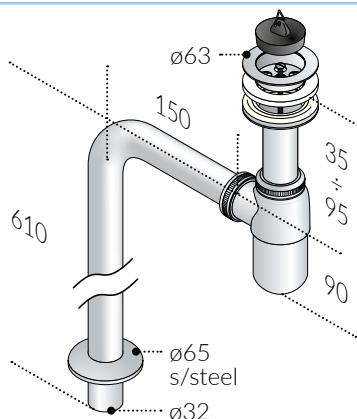
- b. 019.711.5**
- with floor pipe
  - inlet H. 75 × 1"¼
  - outlet 220×680 × ø32
  - s/steel flange ø65

size	packaging	category
1"¼ × ø32	1×box / 20 (M)	01
50 mm	46 l/min	20 pcs.



OTHER FINISHING AVAILABLE (with different features)

<b>matt black</b> 019.413.5.X	<b>matt white</b> 019.413.5.XD	<b>polished gold</b> 019.413.5.3	<b>brushed nickel</b> 019.413.5.Y2	<b>brushed bronze</b> 019.413.5.6
----------------------------------	-----------------------------------	-------------------------------------	---------------------------------------	--------------------------------------



- a. 020.701.5**
- with floor pipe
  - with universal waste ø63 plug with triangle
  - inlet H. 75
  - outlet 150×610 × ø32
  - s/steel flange ø65

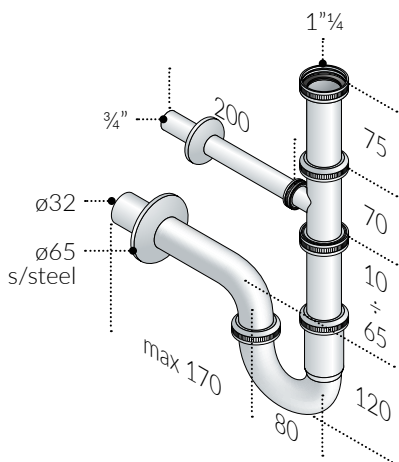
size	packaging	category
ø63 × ø32	1×box / 20 (M)	01
50 mm	36 l/min	20 pcs.



# 9926 + 9919

## S-Pipe + Lux drops convector pipe

chrome plated brass traps  
with drops convector inlet pipe



### a. 9926.711.5

- with drops convector pipe
- inlet H. 220 × 1"¼
- outlet L. 170 × ø32
- s/steel flange ø65

size

1"¼ × ø32

packaging

1×box / 10 (W)

category

02



60 mm



63 l/min



10 pcs.



#### ECOLOGICAL EFFICIENCY



**Production process with lower environmental impact**

For more informations see page 286

### a. 9919.215.5

- with drops convector pipe
- inlet H. 220 × 1"¼
- outlet L. 190 × ø32
- s/steel flange ø65

size

1"¼ × ø32

packaging

1×box / 10 (W)

category

01



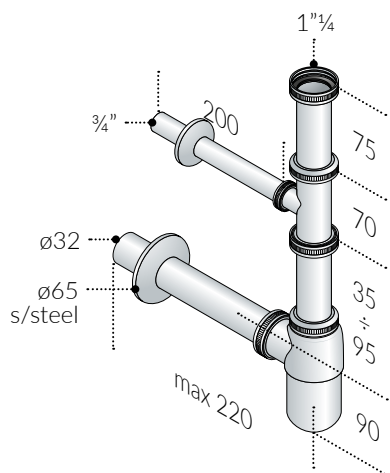
50 mm



46 l/min



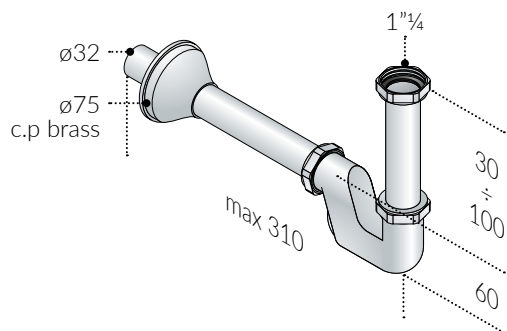
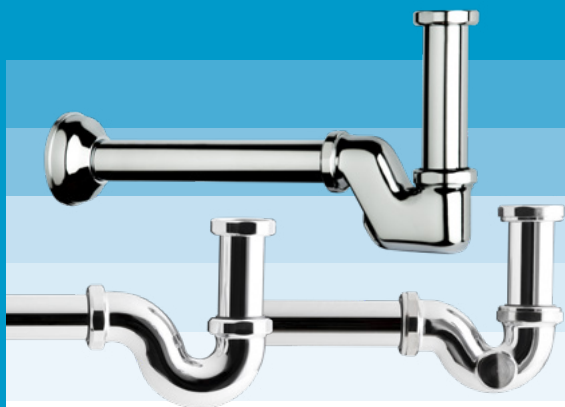
10 pcs.



522 + 128 + 390 + 90

## Reduced encumbrance traps

chrome plated brass traps with reduced encumbrance



**a. 522.423.5**

MAJOR

- inlet H. 120 × 1"¼
- outlet L. 250 × ø32
- c.p. brass flange ø75
- with brass hexagonal nuts

size

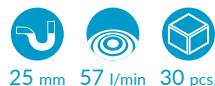
1"¼ × ø32

packaging

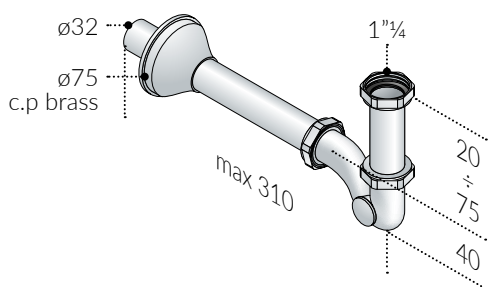
1×box / 30 (C)

category

01



25 mm 57 l/min 30 pcs.



**a. 390.223.5**

MINI

- inlet H. 75 × 1"¼
- outlet L. 250 × ø32
- c.p. brass flange ø75
- with brass hexagonal nuts

size

1"¼ × ø32

packaging

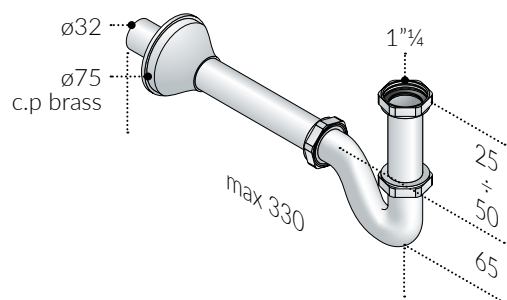
1×box / 30 (C)

category

01



10 mm 36 l/min 30 pcs.



**a. 128.223.5**

LINEAR

- inlet H. 75 × 1"¼
- outlet L. 250 × ø32
- c.p. brass flange ø75
- with brass hexagonal nuts

size

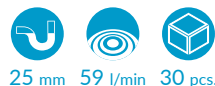
1"¼ × ø32

packaging

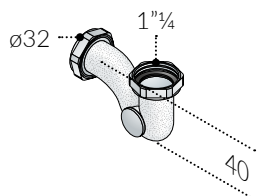
1×box / 30 (C)

category

01



25 mm 59 l/min 30 pcs.



**a. 90.504.5.1**

- in raw nickel plated brass
- without inlet pipe
- inlet 1"¼
- without outlet pipe
- outlet ø32
- without flange
- with brass hexagonal nuts

size

1"¼ × ø32

packaging

1×box / 30 (B)

category

01



10 mm 30 pcs.





# 317 + 322 + 324

## Europa series

chrome plated brass traps made by die casting



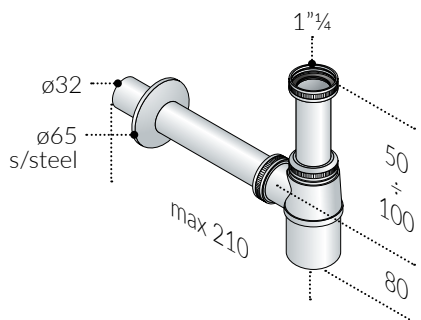
**a. 317.711.5**      size      packaging      category

- inlet H. 75 × 1"¼
- outlet L. 190 × ø32
- s/steel flange ø65

1"¼ × ø32

1×box / 30 (B)

01



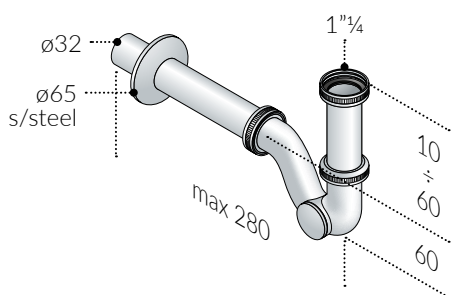
**a. 322.711.5**      size      packaging      category

- inlet H. 75 × 1"¼
- outlet L. 190 × ø32
- s/steel flange ø65

1"¼ × ø32

1×box / 30 (B)

01



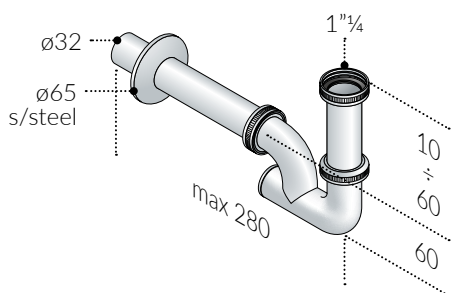
**a. 324.711.5**      size      packaging      category

- inlet H. 75 × 1"¼
- outlet L. 190 × ø32
- s/steel flange ø65

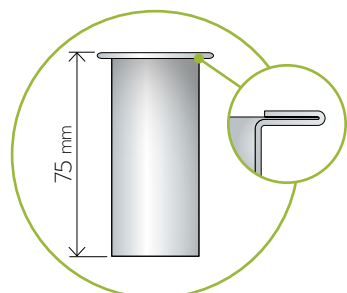
1"¼ × ø32

1×box / 30 (B)

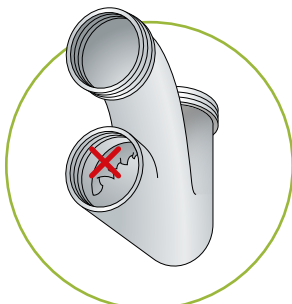
01



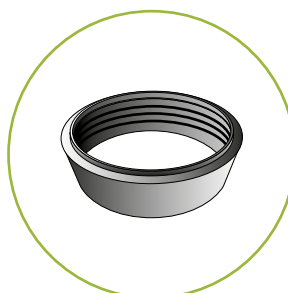
**\* NOTES**



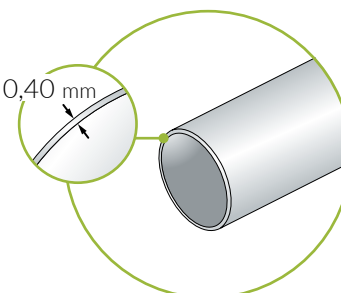
inlet pipe with double hemming, increased resistance



robotize internal machining



thermoplastic rubber gasket



c.p. brass pipe thickness 0,40 mm

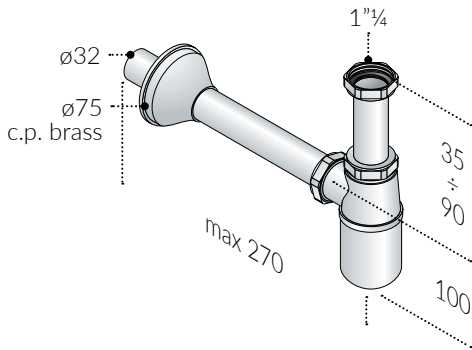


17 + 22 + 24

## Tea series

chrome plated brass traps made by shell moulding

### a. 17.223.5



- inlet H. 75 × 1"¼
- outlet L. 250 × ø32
- c.p. brass flange ø75
- with brass hexagonal nuts

size

1"¼ × ø32



50 mm



51 l/min



30 pcs.

packaging

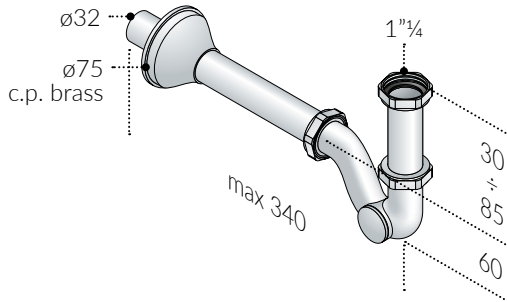
1×box / 30 (C)

category

01



### a. 22.223.5



- inlet H. 75 × 1"¼
- outlet L. 250 × ø32
- c.p. brass flange ø75
- with brass hexagonal nuts

size

1"¼ × ø32



25 mm



51 l/min



30 pcs.

packaging

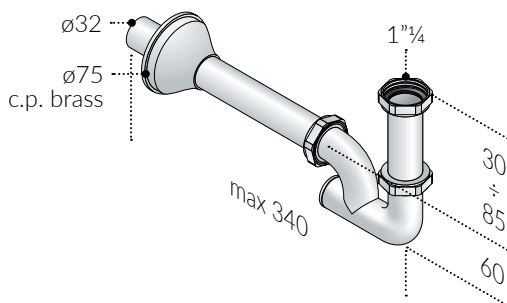
1×box / 30 (C)

category

01



### a. 24.223.5



- inlet H. 75 × 1"¼
- outlet L. 250 × ø32
- c.p. brass flange ø75
- with brass hexagonal nuts

size

1"¼ × ø32



25 mm



57 l/min



30 pcs.

packaging

1×box / 30 (C)

category

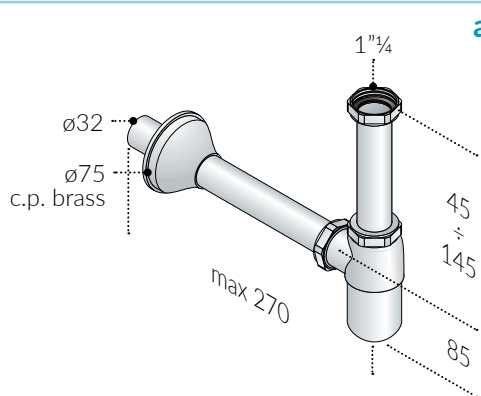
01



# 517 + 922 + 924

## Robot series

chrome plated brass traps made by shell moulding



### a. 517.423.5

- inlet H. 120 × 1"¼
- outlet L. 250 × ø32
- c.p. brass flange ø75
- with brass hexagonal nuts

size packaging category

1"¼ × ø32 1×box / 30 (C) 01



50 mm 51 l/min 30 pcs.



### OTHER FINISHING AVAILABLE

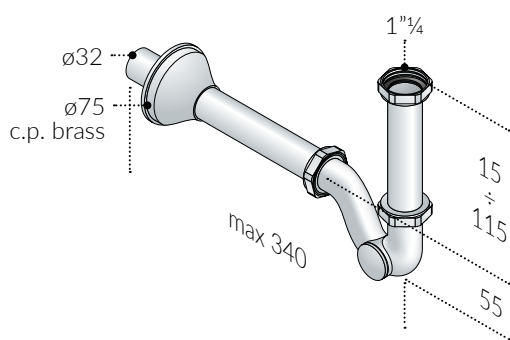
**matt black**  
517.423.5.X

**matt white**  
517.423.5.XD

**polished gold**  
517.423.5.3

**brushed nickel**  
517.423.5.Y2

**brushed bronze**  
517.423.5.6

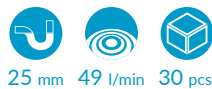


### a. 922.423.5

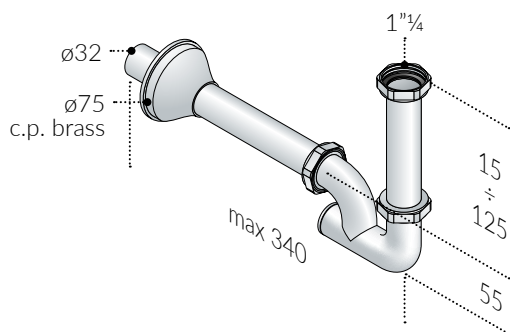
- inlet H. 120 × 1"¼
- outlet L. 250 × ø32
- c.p. brass flange ø75
- with brass hexagonal nuts

size packaging category

1"¼ × ø32 1×box / 30 (C) 01



25 mm 49 l/min 30 pcs.

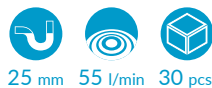


### a. 924.423.5

- inlet H. 120 × 1"¼
- outlet L. 250 × ø32
- c.p. brass flange ø75
- with brass hexagonal nuts

size packaging category

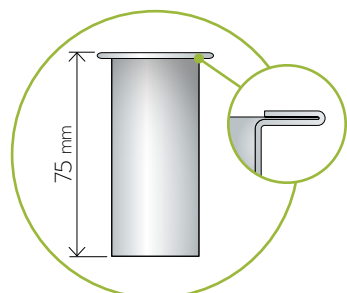
1"¼ × ø32 1×box / 30 (C) 01



25 mm 55 l/min 30 pcs.



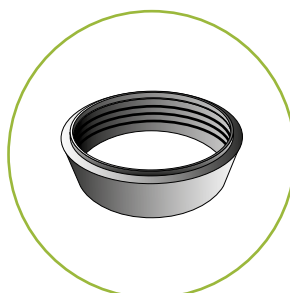
### \* NOTES



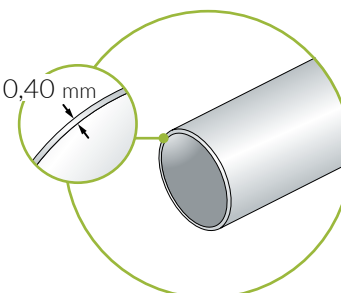
inlet pipe with double hemming, increased resistance



robotize internal machining



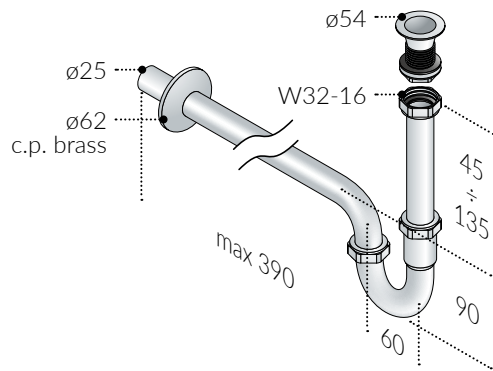
thermoplastic rubber gasket



c.p. brass pipe thickness 0,40 mm

# 25.K

...  
chrome plated brass tubular trap



## a. 25.335.4.K

- with waste  $\phi 54$   
without plug
- inlet H. 120  $\times$  W32-16
- with wall pipe
- outlet L. 390  $\times$   $\phi 25$
- c.p. brass flange  $\phi 62$

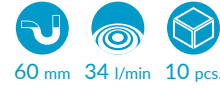
size

packaging

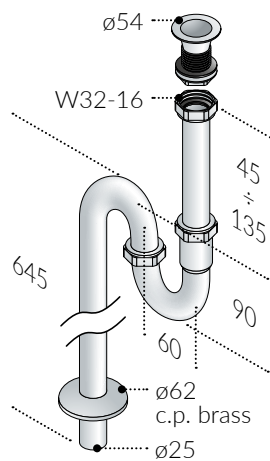
category

W32-16 $\times$  $\phi 25$  1 $\times$ box / 10 (O)

02



60 mm 34 l/min 10 pcs.



## b. 25.495.4.K

- with waste  $\phi 54$   
without plug
- inlet H. 120  $\times$  W32-16
- with floor pipe
- outlet H. 645  $\times$   $\phi 25$
- c.p. brass flange  $\phi 62$

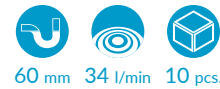
size

packaging

category

W32-16 $\times$  $\phi 25$  1 $\times$ box / 10 (O)

02



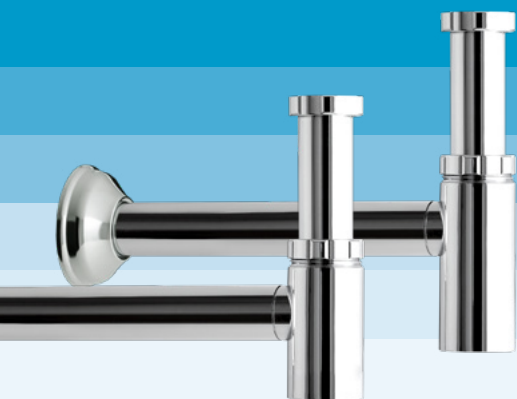
60 mm 34 l/min 10 pcs.











# 915 + 912






## Jolly + Jolly mini






chrome plated zinc alloy traps

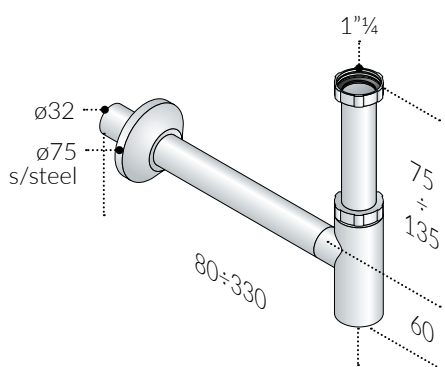
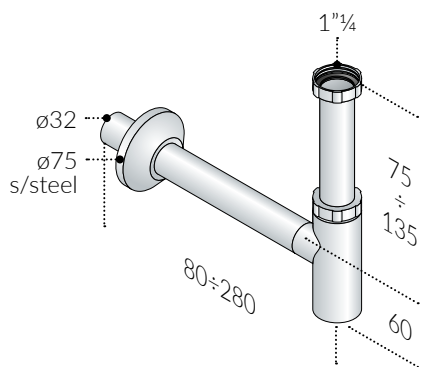
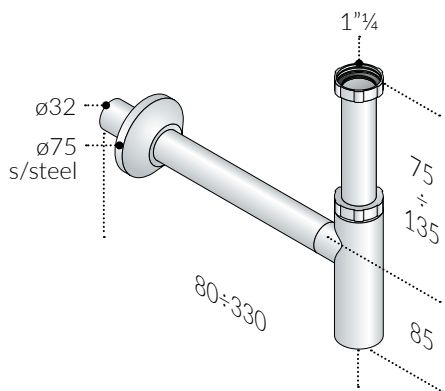
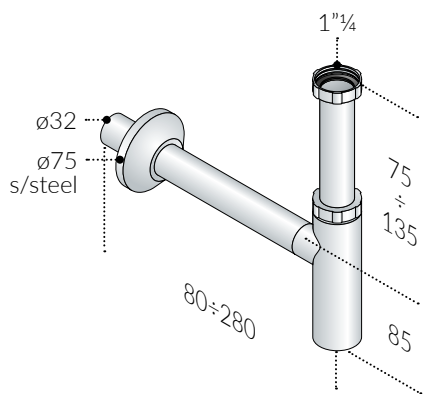


a. 915.324.5		size	packaging	category
JOLLY	- inlet H. 120 × 1"¼ in chrome plated brass	1"¼ × ø32	1×box / 30 (C)	16
	- outlet L. 250 × ø32 in chrome plated brass	 50 mm	 34 l/min	 30 pcs.
	- s/steel flange ø75			
	- with chrome plated zinc alloy nuts			

b. 915.334.5		size	packaging	category
JOLLY	- inlet H. 120 × 1"¼ in chrome plated brass	1"¼ × ø32	1×box / 10 (O)	16
	- outlet L. 300 × ø32 in chrome plated brass	 50 mm	 34 l/min	 10 pcs.
	- s/steel flange ø75			
	- with chrome plated zinc alloy nuts			

a. 912.324.5		size	packaging	category
JOLLY MINI	- with reduced encumbrance	1"¼ × ø32	1×box / 30 (C)	16
	- inlet H. 120 × 1"¼ in chrome plated brass	 25 mm	 35 l/min	 30 pcs. 
	- outlet L. 250 × ø32 in chrome plated brass			
	- s/steel flange ø75			
	- with chrome plated zinc alloy nuts			

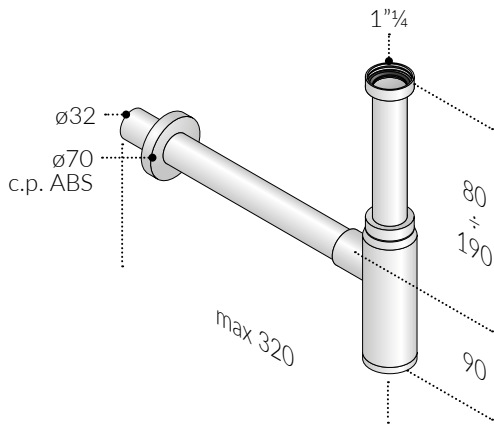
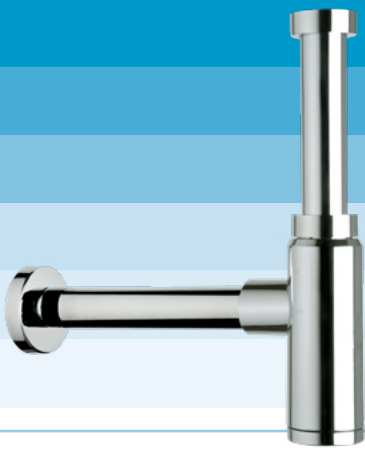
b. 912.334.5		size	packaging	category
JOLLY MINI	- with reduced encumbrance	1"¼ × ø32	1×box / 10 (O)	16
	- inlet H. 120 × 1"¼ in chrome plated brass	 25 mm	 35 l/min	 10 pcs. 
	- outlet L. 300 × ø32 in chrome plated brass			
	- s/steel flange ø75			
	- with chrome plated zinc alloy nuts			



# 710.H

## Toti ABS

chrome plated ABS trap



### a. 710.934.5.H

- inlet H. 165 × 1"¼
- outlet L. 300 × ø32
- ABS flange ø70
- with chrome plated ABS nuts

size

1"¼ × ø32

packaging

1×box / 10 (O)

category

17



50 mm



46 l/min



10 pcs.



### a. 710.934.6.H

- inlet H. 165 × 1"¼
- outlet L. 300 × ø40
- ABS flange ø80
- with chrome plated ABS nuts

size

1"¼ × ø40

packaging

1×box / 10 (O)

category

17



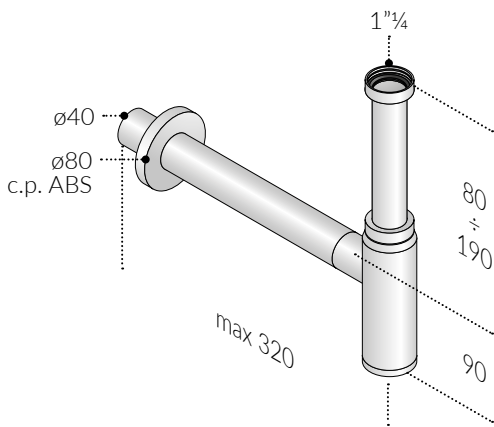
50 mm



46 l/min



10 pcs.



### b. 710.939.6.H

- inlet H. 165 × 1"¼
- outlet L. 300 × ø40
- ABS flange ø80
- with wall connector
- with chrome plated ABS nuts

size

1"¼ × ø40

packaging

1×box / 10 (O)

category

17



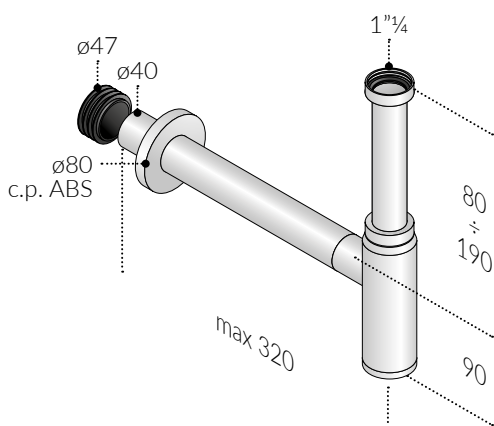
50 mm



46 l/min



10 pcs.

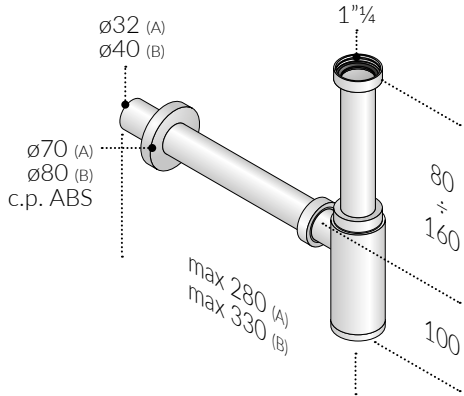
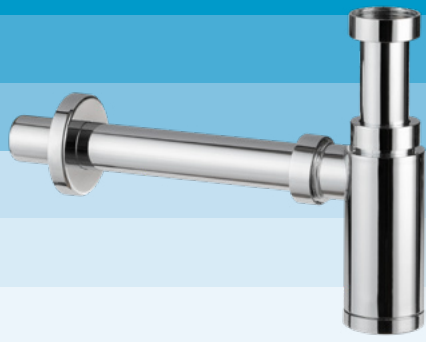


# 916.H + 914.H

new

## Maomao ABS

chrome plated ABS trap



### a. 916.924.5.H

- inlet H. 165 × 1 1/4
- outlet L. 250 × ø32
- ABS flange ø70
- with chrome plated ABS nuts

size packaging category

1 1/4 × ø32 1×box / 30 (C) 17

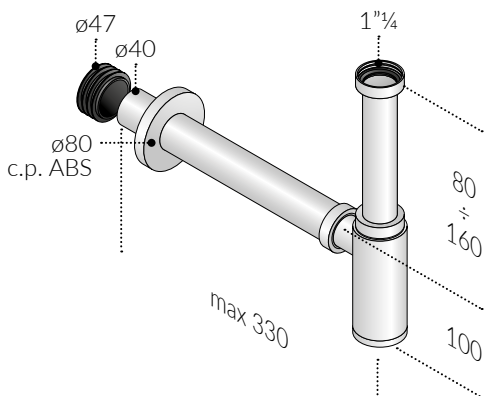


### b. 916.934.6.H

- inlet H. 165 × 1 1/4
- outlet L. 300 × ø40
- ABS flange ø80
- with chrome plated ABS nuts

size packaging category

1 1/4 × ø40 1×box / 10 (O) 17



### a. 914.939.6.H

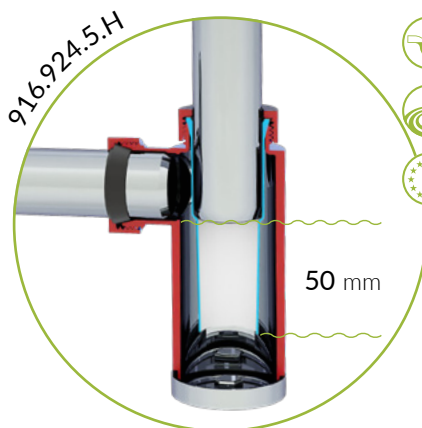
- with higher water seal
- inlet H. 165 × 1 1/4
- outlet L. 300 × ø40
- ABS flange ø80
- with wall connector
- with chrome plated ABS nuts

size packaging category

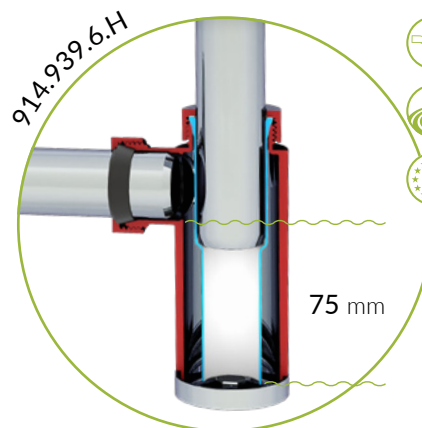
1 1/4 × ø40 1×box / 10 (O) 17



### \* NOTES



- Water seal 50 mm
- Water volume 40 l/min
- EN 274 Conform

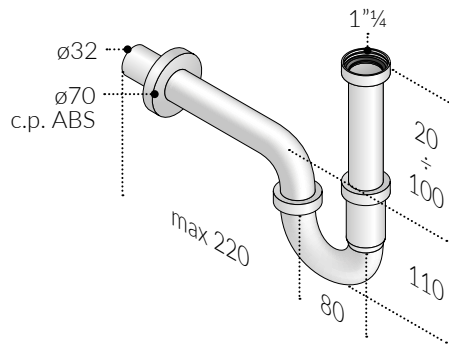


- Water seal 75 mm
- Water volume 36 l/min
- EN 274 Conform

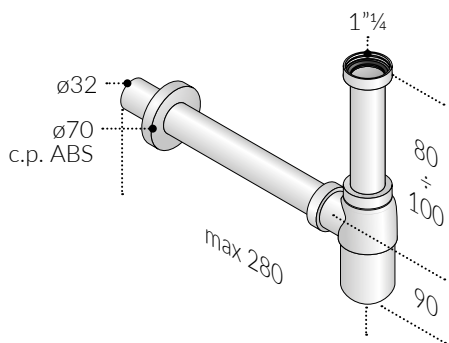


# 26.H + 19.H S-Pipe + Lux ABS

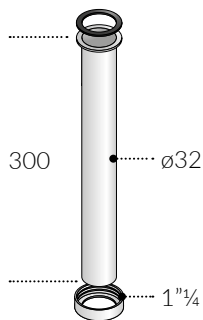
chrome plated ABS traps



a.	26.924.5.H	size	packaging	category
S-PIPE ABS	- inlet H. 120 × 1 1/4	1 1/4 × ø32	1×box / 30 (C)	17
	- outlet L. 220 × ø32	60 mm	60+ l/min	30 pcs.
	- ABS flange ø70			
	- with chrome plated ABS nuts			



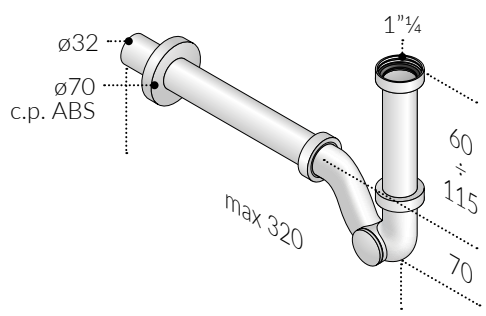
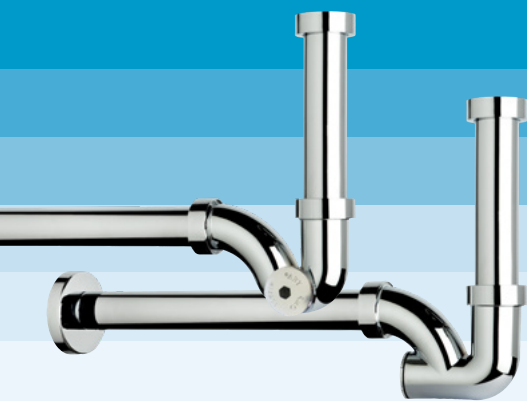
a.	19.124.5.H	size	packaging	category
LUX ABS	- inlet H. 120 × 1 1/4	1 1/4 × ø32	1×box / 30 (C)	17
	- outlet L. 250 × ø32	50 mm	58 l/min	30 pcs.
	- ABS flange ø70			
	- with chrome plated ABS nuts			



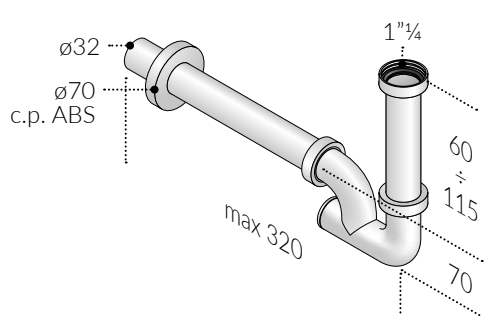
a.	86.302.5.H	size	packaging	category
	- inlet pipe	1 1/4 × ø32	10×bag	17
	- H. 300 mm	10 pcs.		
	- 1 1/4 × ø32			
	- with chrome plated ABS nut			

# 322.H + 324.H + 126.H

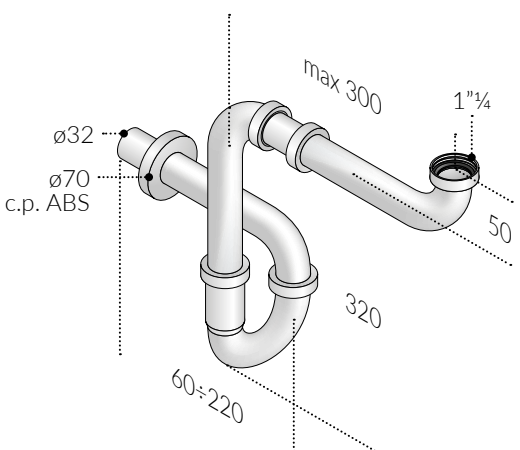
...  
chrome plated ABS traps



a. 322.924.5.H	size	packaging	category
<ul style="list-style-type: none"> <li>- inlet H. 120 × 1"¼</li> <li>- outlet L. 250 × ø32</li> <li>- ABS flange ø70</li> <li>- with chrome plated ABS nuts</li> </ul>	1"¼ × ø32	1×box / 30 (C)	17
	35 mm                  58 l/min                  30 pcs.		



a. 324.924.5.H	size	packaging	category
<ul style="list-style-type: none"> <li>- inlet H. 120 × 1"¼</li> <li>- outlet L. 250 × ø32</li> <li>- ABS flange ø70</li> <li>- with chrome plated ABS nuts</li> </ul>	1"¼ × ø32	1×box / 30 (C)	17
	35 mm                  53 l/min                  30 pcs.		



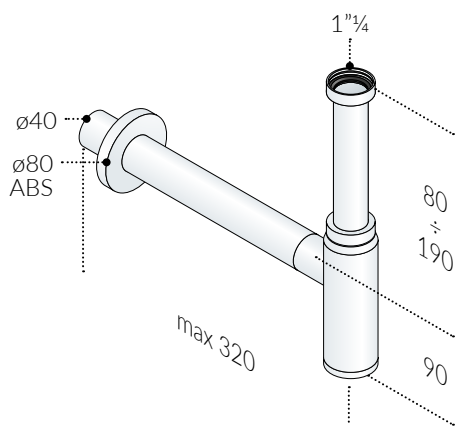
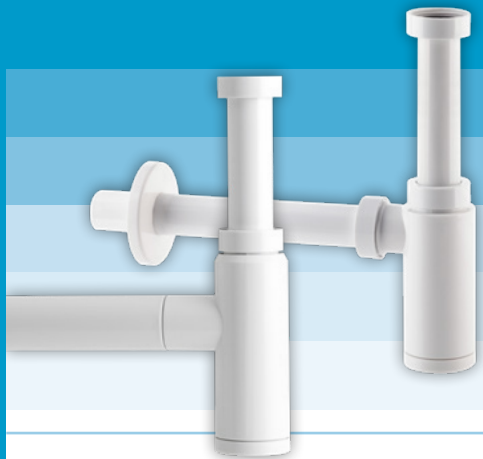
a. 126.013.5.H	size	packaging	category
<ul style="list-style-type: none"> <li>- with space-saver inlet pipe</li> <li>- inlet 300×220 × 1"¼</li> <li>- outlet L. 220 × ø32</li> <li>- ABS flange ø70</li> <li>- with chrome plated ABS nuts</li> </ul>	1"¼ × ø32	1×box / 15 (B)	17
	60 mm                  48 l/min                   15 pcs.		

# 710.B + 916.B + 914.B

new

## Toti + Maomao white ABS

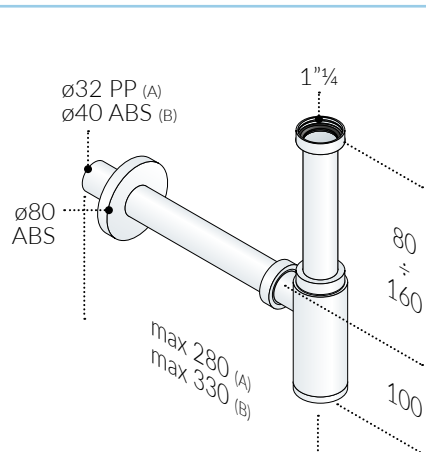
white ABS traps



- a. 710.934.6.B**
- TOTI ABS**
- inlet H. 165 × 1"¼ in white ABS
  - outlet L. 300 × ø40 in white ABS
  - ABS flange ø80
  - with white ABS nuts

size packaging category

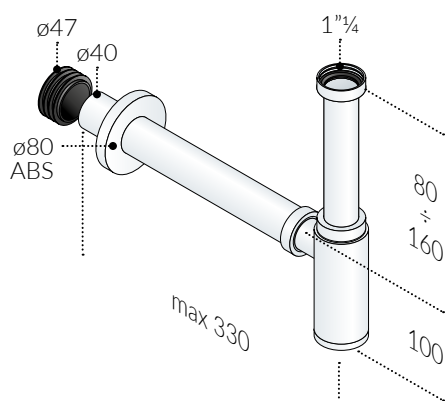
1"¼ × ø40 1×box / 10 (O) 03



- a. 916.924.5.B**
- MAOMAO ABS**
- inlet H. 165 × 1"¼ in white ABS
  - outlet L. 250 × ø32 in white PP
  - ABS flange ø80
  - with white ABS nuts

size packaging category

1"¼ × ø32 1×box / 30 (C) 03



- a. 914.939.6.B**
- MAOMAO ABS**
- with higher water seal
  - inlet H. 165 × 1"¼ in white ABS
  - outlet L. 300 × ø40 in white ABS
  - ABS flange ø80
  - with wall connector
  - with white ABS nuts

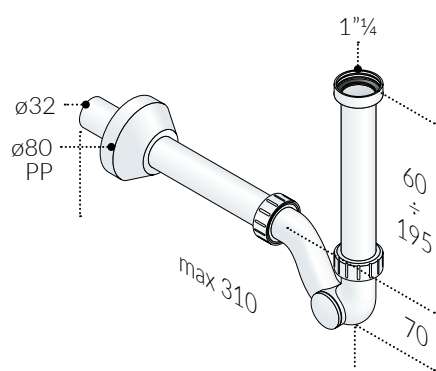
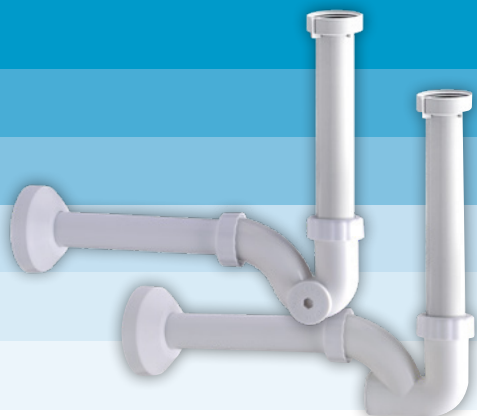
size packaging category

1"¼ × ø40 1×box / 10 (O) 03



# 6322 + 6324

...  
white ABS traps

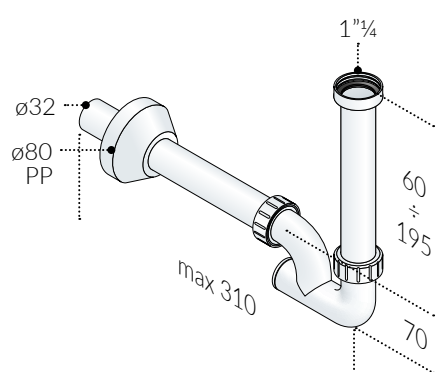


## a. 6322.544.5

- inlet H. 200 × 1"¼ in white PP
- outlet L. 250 × ø32 in white PP
- PP flange ø80
- with white PP nuts

size	packaging	category
------	-----------	----------

1"¼ × ø32	1×bag / 30 (C)	03
-----------	----------------	----

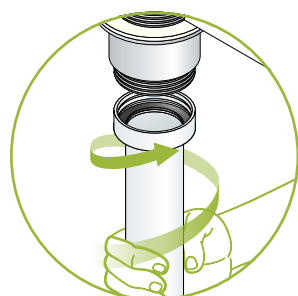


## a. 6324.544.5

- inlet H. 200 × 1"¼ in white PP
- outlet L. 250 × ø32 in white PP
- PP flange ø80
- with white PP nuts

size	packaging	category
------	-----------	----------

1"¼ × ø32	1×bag / 30 (C)	03
-----------	----------------	----

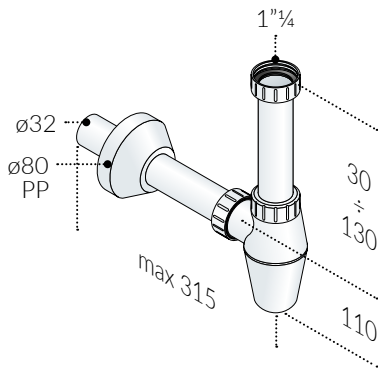
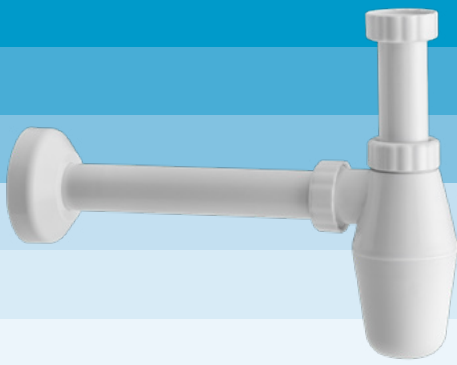


## \* NOTES

### With white PP inlet pipe H. 200

- 1"¼ thread integrated to the inlet pipe
- the thread connection to the waste is integrated with the rest of the inlet pipe H. 200 mm; this makes installation easier and quicker as the entire inlet pipe can be used to fasten the under-sink siphon instead of tightening only the ring nut, which is usually positioned in a difficult-to-access position

## PP bottle trap

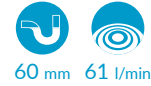


### a. 217.444.5

- inlet H. 120 × 1"¼
- outlet L. 250 × ø32
- PP flange ø80

size

1"¼ × ø32



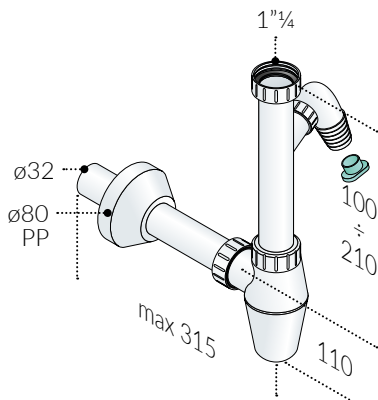
packaging

1×bag / 50 (QA)



category

03



### b. 217.344.5

- inlet H. 200 × 1"¼ with 1 hose connection
- outlet L. 250 × ø32
- PP flange ø80

size

1"¼ × ø32



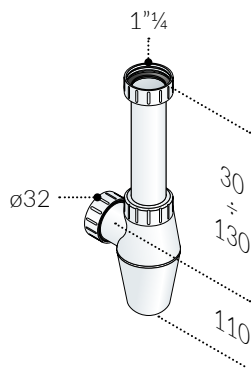
packaging

1×bag / 50 (QA)



category

03



### a. 217.400.5

- inlet H. 120 × 1"¼
- without outlet pipe
- outlet ø32
- without flange

size

1"¼ × ø32



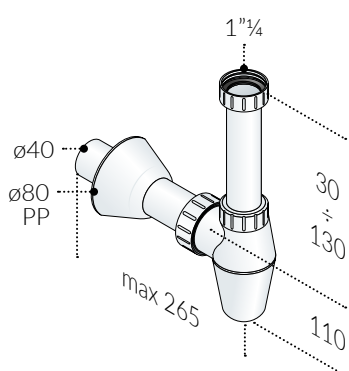
packaging

1×bag / 50 (QA)

category

03

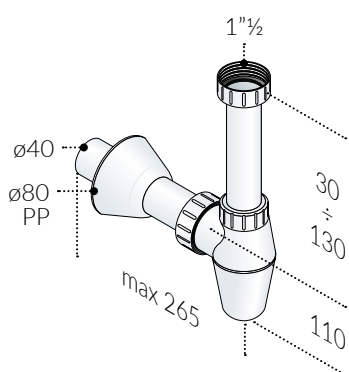




**a. 217.244.5**

- inlet H. 120 × 1"¼
- outlet L. 200 × 40
- PP flange ø80

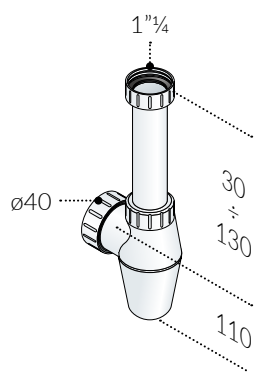
size	packaging	category
1"¼ × ø40	1×bag / 50 (QA)	03



**a. 217.144.6**

- inlet H. 120 × 1"½
- outlet L. 200 × 40
- PP flange ø80

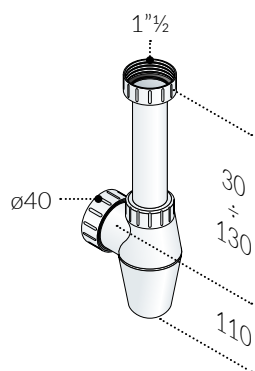
size	packaging	category
1"½ × ø40	1×bag / 50 (QA)	03



**a. 217.200.5**

- inlet H. 120 × 1"¼
- without outlet pipe
- outlet ø40
- without flange

size	packaging	category
1"¼ × ø40	1×bag / 50 (QA)	03

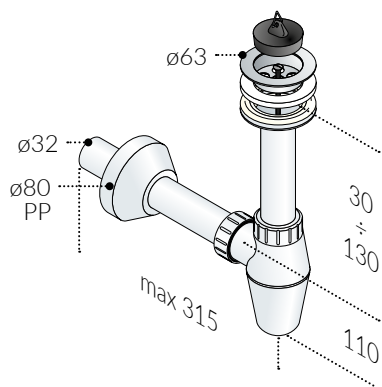
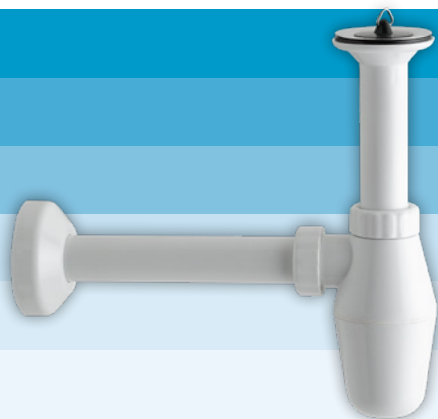


**b. 217.100.6**

- inlet H. 120 × 1"½
- without outlet pipe
- outlet ø40
- without flange

size	packaging	category
1"½ × ø40	1×bag / 50 (QA)	03





**a. 218.414.5**

- with universal waste  $\phi 63$  plug with triangle
- inlet H. 120
- outlet L. 250  $\times$   $\phi 32$
- PP flange  $\phi 80$

size

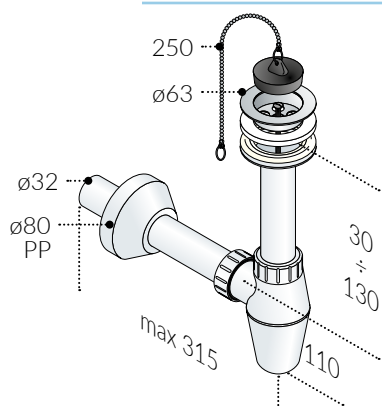
$\phi 63 \times \phi 32$   
60 mm 37 l/min

packaging

1x bag / 30 (C)  
30 pcs.

category

03



**b. 218.444.5**

- with universal waste  $\phi 63$  plug with ball-chain and ring
- inlet H. 120
- outlet L. 250  $\times$   $\phi 32$
- PP flange  $\phi 80$

size

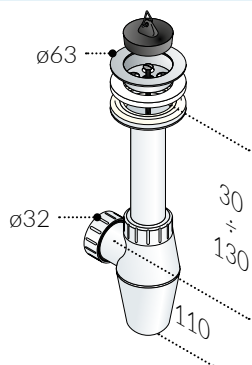
$\phi 63 \times \phi 32$   
60 mm 37 l/min

packaging

1x bag / 30 (C)  
30 pcs.

category

03



**a. 218.410.5**

- with universal waste  $\phi 63$  plug with triangle
- inlet H. 120
- without outlet pipe
- outlet  $\phi 32$
- without flange

size

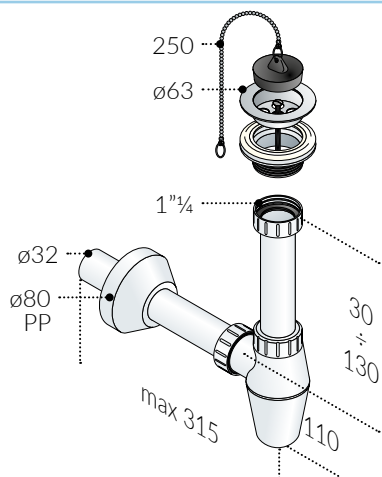
$\phi 63 \times \phi 32$   
60 mm 30 pcs.

packaging

1x bag / 30 (C)

category

03



**a. 218.944.5**

- with universal waste  $\phi 63$  plug with ball-chain and ring
- inlet H. 120  $\times$  1 1/4
- outlet L. 250  $\times$   $\phi 32$
- PP flange  $\phi 80$

size

$\phi 63 \times \phi 32$   
60 mm 37 l/min

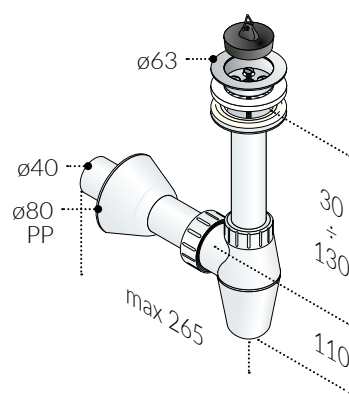
packaging

1x bag / 30 (Q)  
30 pcs.

category

03

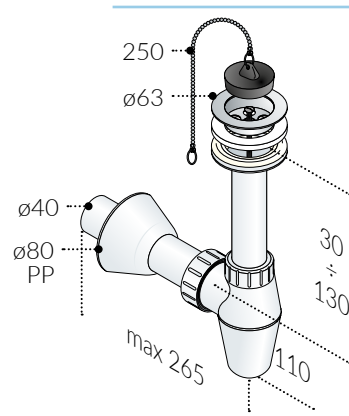




**a. 218.214.5**

- with universal waste  $\phi 63$  plug with triangle
- inlet H. 120
- outlet L. 200  $\times$   $\phi 40$
- PP flange  $\phi 80$

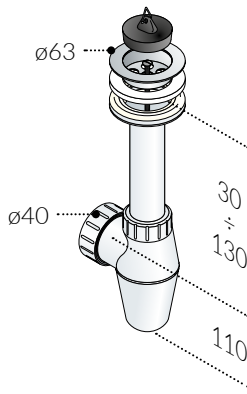
size	packaging	category
$\phi 63 \times \phi 40$	1×bag / 30 (C)	03



**b. 218.244.5**

- with universal waste  $\phi 63$  plug with ball-chain and ring
- inlet H. 120
- outlet L. 250  $\times$   $\phi 40$
- PP flange  $\phi 80$

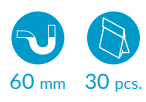
size	packaging	category
$\phi 63 \times \phi 40$	1×bag / 30 (C)	03



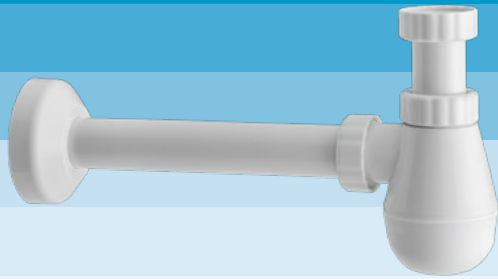
**a. 218.210.5**

- with universal waste  $\phi 63$  plug with triangle
- inlet H. 120
- without outlet pipe
- outlet  $\phi 40$
- without flange

size	packaging	category
$\phi 63 \times \phi 40$	1×bag / 30 (C)	03



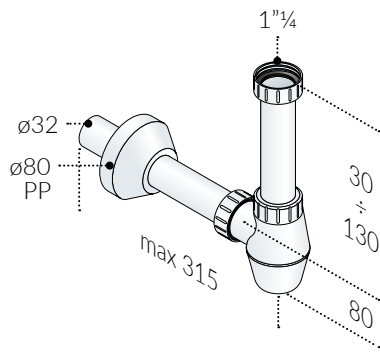
# 2517



...

PP bottle trap for bidet

## a. 2517.444.5



- inlet H. 120 × 1"¼
- outlet L. 250 × ø32
- PP flange ø80

size

1"¼ × ø32

packaging

1×bag / 50 (QA)

category

03



30 mm



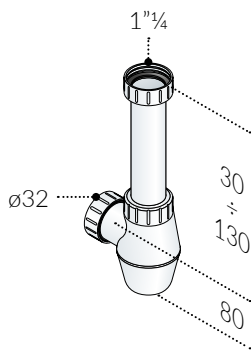
55 l/min



50 pcs.



## a. 2517.400.5



- inlet H. 120 × 1"¼
- without outlet pipe
- outlet ø32
- without flange

size

1"¼ × ø32

packaging

1×bag / 50 (QA)

category

03



30 mm



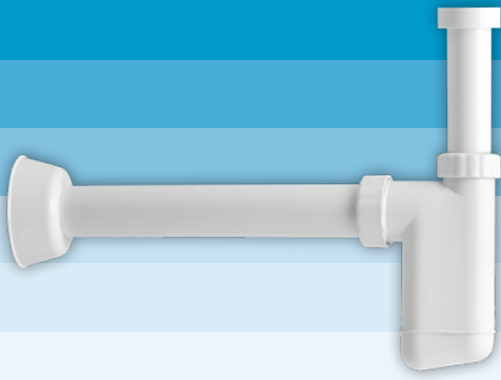
55 l/min



50 pcs.



# 2917 + 0217



PP bottle trap for pedestal washbasin  
PP bottle trap with floor outlet pipe

## a. 2917.264.5

- for pedestal washbasin
- inlet H. 200 × 1 1/4"
- outlet L. 300 × ø40
- PP flange ø80

size 1 1/4" × ø40

packaging 1 × bag / 30 (Q)

category 03



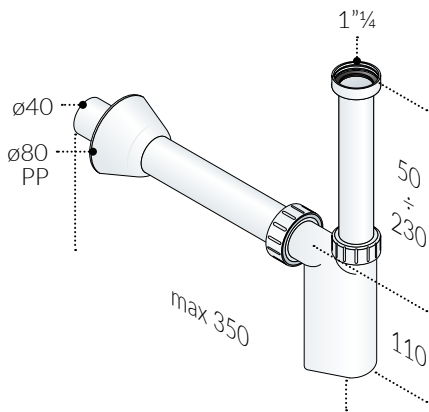
60 mm



53 l/min



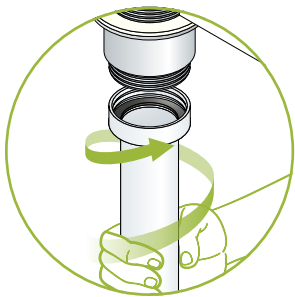
30 pcs.



## NOTES

### With white PP inlet pipe H. 200

- 1 1/4" thread integrated to the inlet pipe
- the thread connection to the waste is integrated with the rest of the inlet pipe H. 200 mm; this makes installation easier and quicker as the entire inlet pipe can be used to fasten the under-sink siphon instead of tightening only the ring nut, which is usually positioned in a difficult-to-access position



## a. 0217.211.6

- with flexible floor pipe
- inlet H. 120 × 1 1/4"
- outlet 300 × 700 × ø40/50
- PP flange ø80

size 1 1/4" × ø40/50

packaging 1 × bag / 30 (L)

category 03



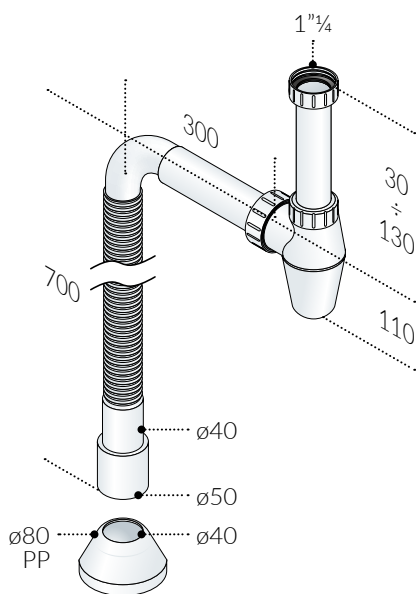
60 mm



61 l/min

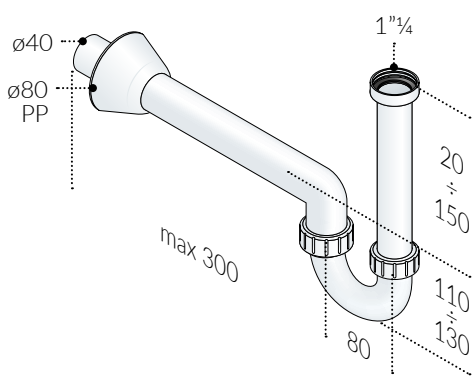
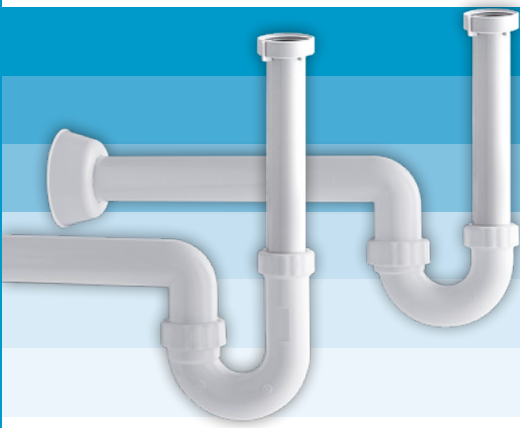


50 pcs.



# 222 + 226

## PP tubular traps



### a. 222.854.6

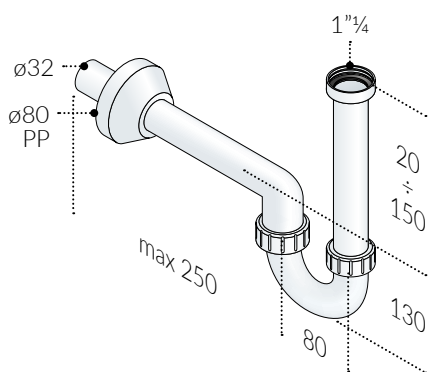
- inlet H. 200 × 1 1/4
- outlet L. 300 ×  $\phi$ 40 adjustable in height
- PP flange  $\phi$ 80

size	packaging	category
1 1/4 × $\phi$ 40	1×bag / 30 (A)	03
60 mm	65 l/min	30 pcs.



#### NOTES

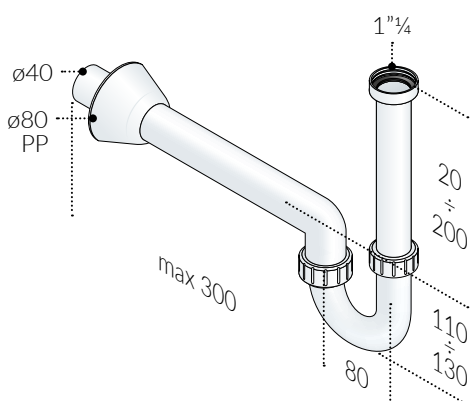
- Outlet pipe L. 300 ×  $\phi$ 40 adjustable in height



### b. 222.444.5

- inlet H. 200 × 1 1/4
- outlet L. 250 ×  $\phi$ 32
- PP flange  $\phi$ 80

size	packaging	category
1 1/4 × $\phi$ 32	1×bag / 30 (A)	03
60 mm	65 l/min	30 pcs.



### a. 226.854.6

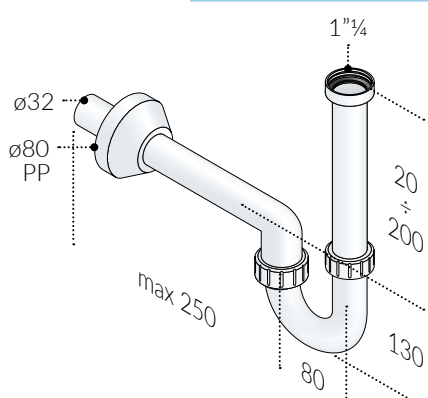
- inlet H. 200 × 1 1/4
- outlet L. 300 ×  $\phi$ 40 adjustable in height
- PP flange  $\phi$ 80

size	packaging	category
1 1/4 × $\phi$ 40	1×bag / 30 (A)	03
60 mm	64 l/min	30 pcs.



#### NOTES

- Outlet pipe L. 300 ×  $\phi$ 40 adjustable in height



### b. 226.444.5

- inlet H. 200 × 1 1/4
- outlet L. 250 ×  $\phi$ 32
- PP flange  $\phi$ 80

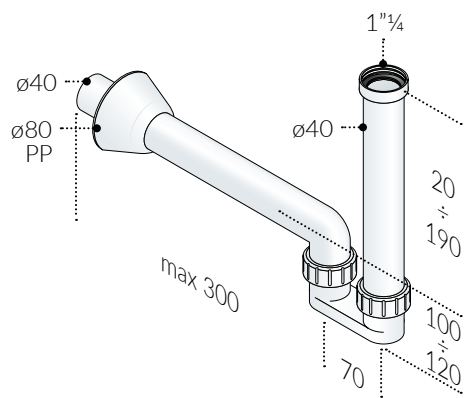
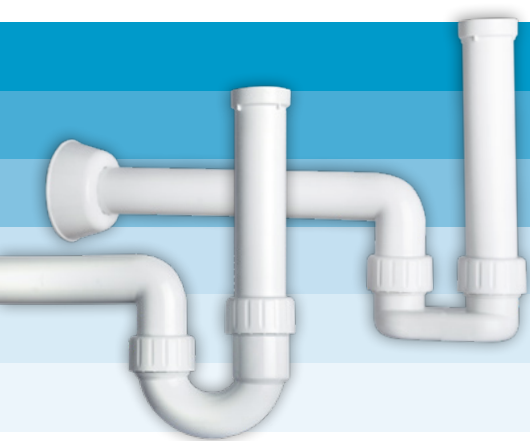
size	packaging	category
1 1/4 × $\phi$ 32	1×bag / 30 (A)	03
60 mm	64 l/min	30 pcs.



# 8222 + 8226

## Savoia

PP trap with bigger water-flow



**a. 8222.854.6**

- with bigger water-flow
- inlet H. 250 × 1 1/4 (ø40)
- outlet L. 300 × ø40 adjustable in height
- PP flange ø80

size

1 1/4 × ø40

packaging

1×bag / 30 (A)

category

03



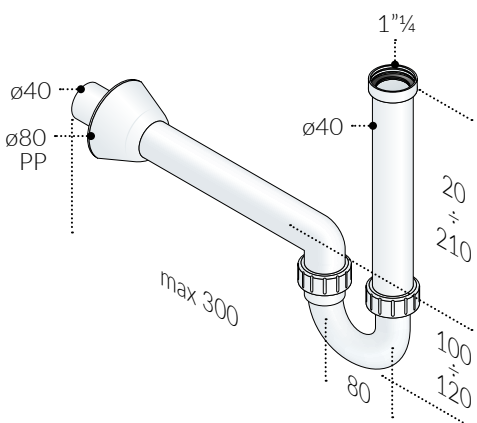
60 mm



55 l/min



30 pcs.



**a. 8226.854.6**

- with bigger water-flow
- inlet H. 250 × 1 1/4 (ø40)
- outlet L. 300 × ø40 adjustable in height
- PP flange ø80

size

1 1/4 × ø40

packaging

1×bag / 30 (A)

category

03



60 mm



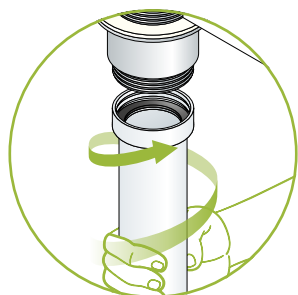
59 l/min



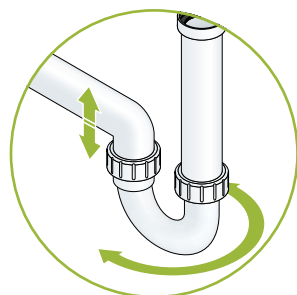
30 pcs.



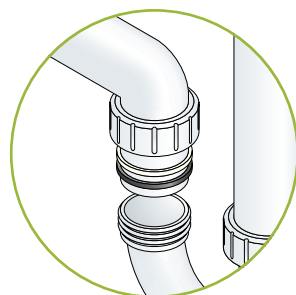
### NOTES



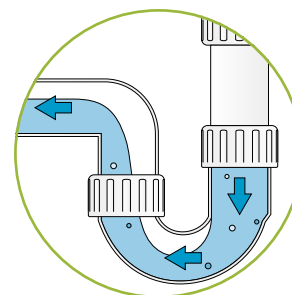
integrated thread  
in the inlet pipe



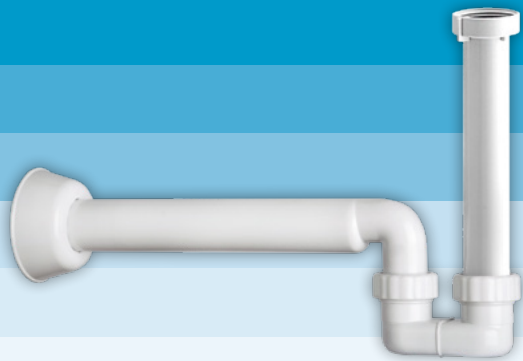
maximum adjustability with  
outlet adjustable in height



rubber seals:  
hand-tightening



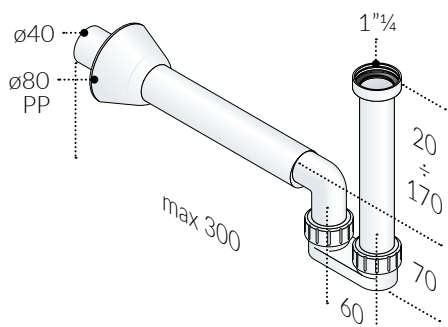
self-cleaning internal siphon  
without blockages



2322

## Mosquito

PP trap with reduced encumbrance



**a. 2322.244.6**

- inlet H. 200 × 1"¼
- outlet L. 300 ×  $\varnothing 40$
- PP flange  $\varnothing 80$

size

1"¼ ×  $\varnothing 40$

packaging

1×bag / 30 (C)

category

03



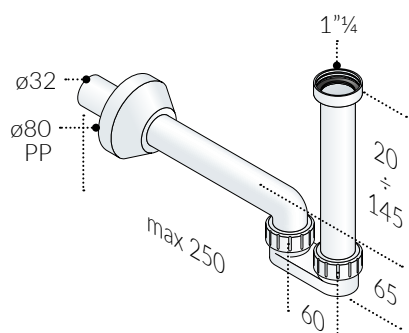
50 mm



47 l/min



30 pcs.



**a. 2322.244.5**

- inlet H. 200 × 1"¼
- outlet L. 250 ×  $\varnothing 32$
- PP flange  $\varnothing 80$

size

1"¼ ×  $\varnothing 32$

packaging

1×bag / 30 (C)

category

03



50 mm

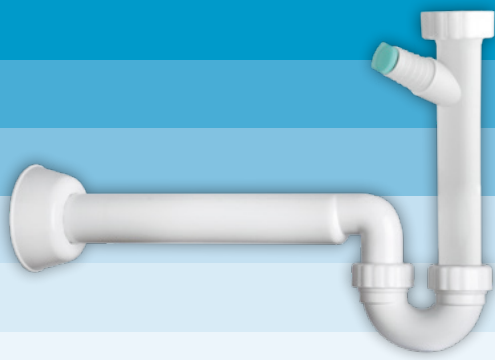


47 l/min



30 pcs.

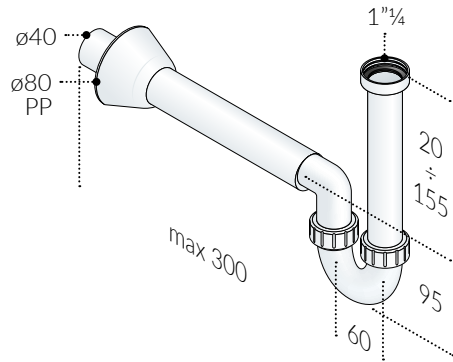




# 2390

## Chihuahua

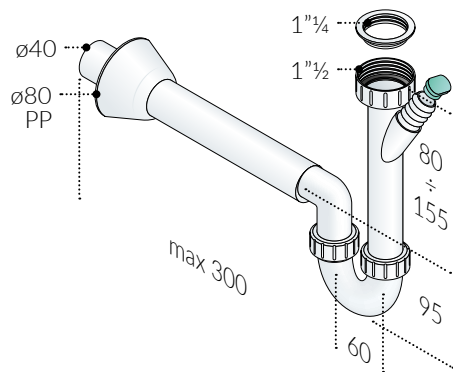
PP trap with reduced encumbrance



### a. 2390.244.6

- inlet H. 200 × 1"¼
- outlet L. 300 × ø40
- PP flange ø80

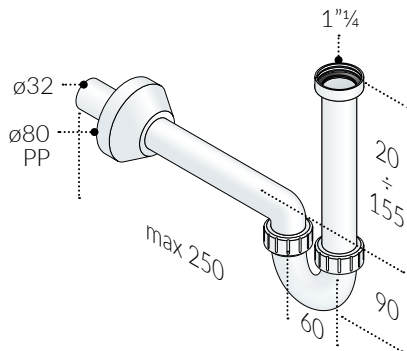
size	packaging	category
1"¼ × ø40	1×bag / 30 (C)	03



### b. 2390.344.6

- inlet H. 200 × 1"½
- with reduction 1"½-1"¼
- with hose connection
- outlet L. 300 × ø40
- PP flange ø80

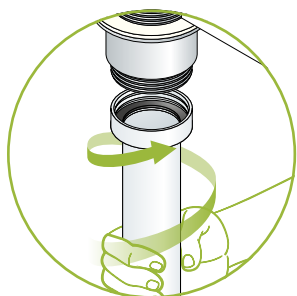
size	packaging	category
1"¼-½ × ø40	1×bag / 30 (C)	03



### a. 2390.244.5

- inlet H. 200 × 1"¼
- outlet L. 250 × ø32
- PP flange ø80

size	packaging	category
1"¼ × ø32	1×bag / 30 (C)	03



### NOTES

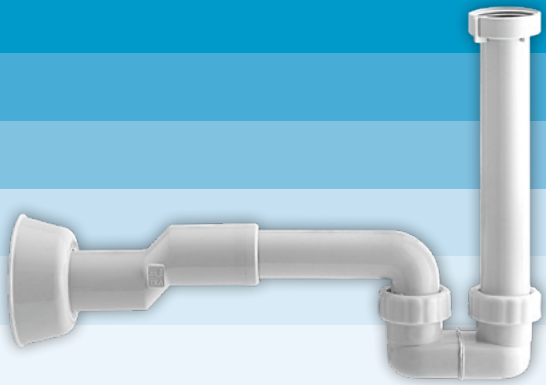
#### With white PP inlet pipe H. 200

- 1"¼ thread integrated to the inlet pipe
- the thread connection to the waste is integrated with the rest of the inlet pipe H. 200 mm; this makes installation easier and quicker as the entire inlet pipe can be used to fasten the under-sink siphon instead of tightening only the ring nut, which is usually positioned in a difficult-to-access position

2322 + 2390

## Praktik bagno

minimum encumbrance PP trap



omp tea.eu

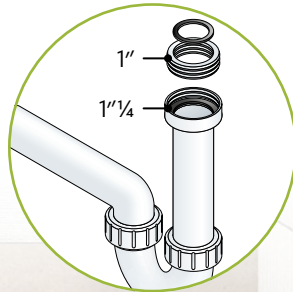
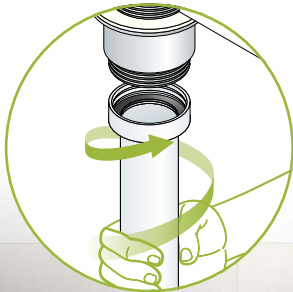


### \* NOTES

**integrated inlet thread**  
the thread connection to the waste is integrated with the rest of the inlet pipe H. 200 mm; this makes installation easier and quicker as the entire inlet pipe can be used to fasten the under-sink siphon instead of tightening only the ring nut, which is usually positioned in a difficult-to-access position

**reduction 1" - 1 1/4"**  
thanks to the 1 1/4" - 1" reduction included (including gasket), the trap is suitable for wastes (both 1" and 1 1/4")

**double outlet diameter  $\phi 32/40$**   
the 250 mm outlet pipe has a diameter of 32 mm while the eccentric fitting, which facilitates wall connection and further reduces the size of the trap, has a diameter of 40 mm; two wall flanges are included in the package, one to be used with the  $\phi 32$  outlet and one with the  $\phi 40$  eccentric fitting

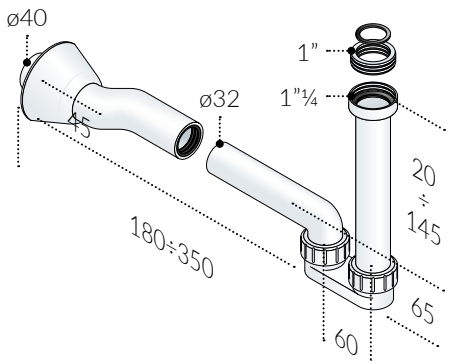


a. **2322.241.6**

size **1"/1 1/4 × ø40** packaging **1×box / 16 (Q)** category **03**

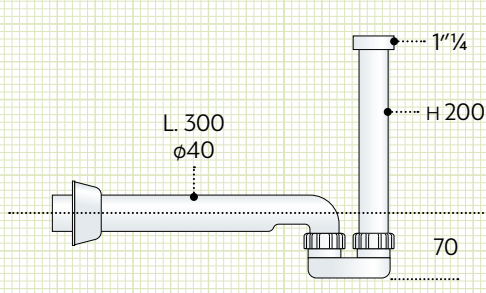
- under outlet pipe encumbrance 45
- inlet H. 200 × 1 1/4"
- with reduction 1" × 1 1/4"
- outlet L. 300 × ø40
- with eccentric pipe ø40
- PP flange ø80 × ø32
- PP flange ø80 × ø40

50 mm 41 l/min 16 pcs.

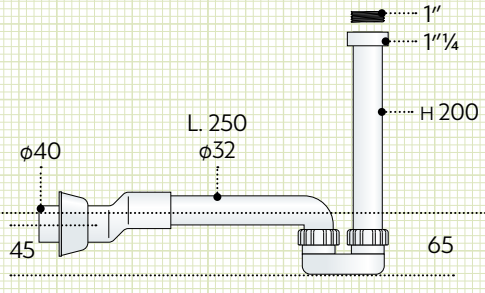


SPARE PARTS / ECCENTRIC PIPE  
**292.155.5**  
 For more informations see page 246

\* **NOTES**



art 2322.241.6



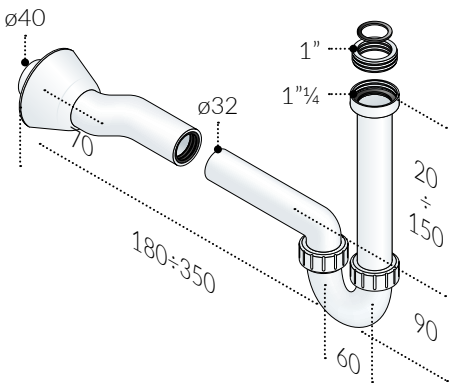
art 2322.241.6

a. **2390.241.6**

size **1"/1 1/4 × ø40** packaging **1×box / 16 (Q)** category **03**

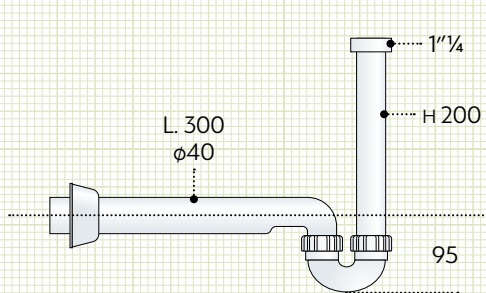
- under outlet pipe encumbrance 70
- inlet H. 200 × 1 1/4"
- with reduction 1" × 1 1/4"
- outlet L. 300 × ø40
- with eccentric pipe ø40
- PP flange ø80 × ø32
- PP flange ø80 × ø40

50 mm 42 l/min 16 pcs.

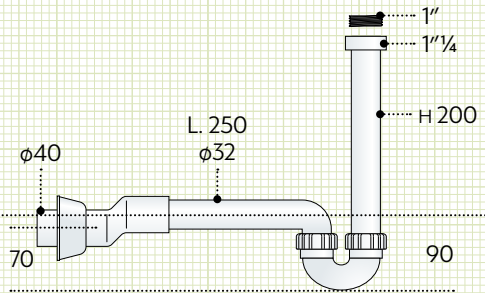


SPARE PARTS / ECCENTRIC PIPE  
**292.155.5**  
 For more informations see page 246

\* **NOTES**



art 2390.241.6



art 2390.241.6



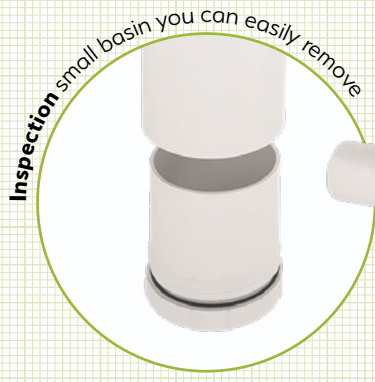
1910 + 1950

# Chrono

quick installation PP bottle trap



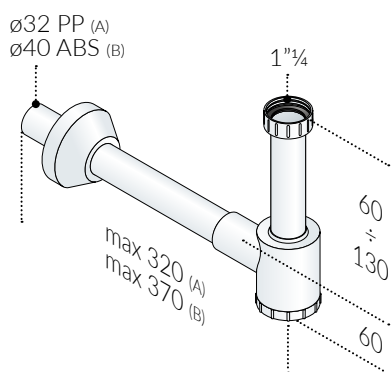
## \* NOTES



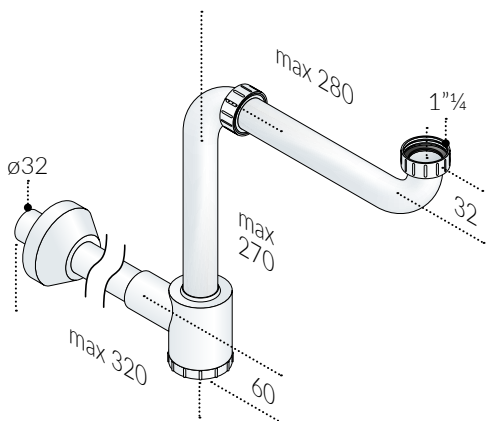
**Easy fit:** trap inlet is provided with a special washer that speeds up the installation without decreasing the watertightness of the inlet pipe

**Dual fit:** extended trap outlet, you can connect a  $\phi 32$  pipe or you can directly connect the trap to the wall, with a  $\phi 40$  connection

**Shape of the trap body** even more compact with a minimum size of only 60 while maintaining the water seal of 50 mm, in conformity with standards



a.	1910.111.5	size	packaging	category
- inlet	H. 120 × 1 1/4	1 1/4 × $\phi 32$	1×bag / 30 (C)	03
- outlet	L. 250 × $\phi 32$	50 mm	40 l/min	30 pcs.
- PP flange	$\phi 80$			
b.	1910.130.5	size	packaging	category
- inlet	H. 120 × 1 1/4	1 1/4 × $\phi 40$	1×bag / 30 (C)	03
- outlet	L. 300 × $\phi 40$	50 mm	40 l/min	30 pcs.
- outlet pipe in white ABS				
- PP flange	$\phi 80$			
c.	1910.100.5	size	packaging	category
- inlet	H. 120 × 1 1/4	1 1/4 × $\phi 40$	1×bag / 30 (Q)	03
- without outlet pipe		50 mm	40 l/min	30 pcs.
- outlet	$\phi 32$			
- without flange				



**a. 1950.511.5**

- with space-saver inlet pipe
- inlet 280x280 x 1 1/4
- rigid connection
- outlet L. 250 x ø32
- PP flange ø80

size

1 1/4 x ø32

packaging

1x bag / 15 (B)

category

03



50 mm



40 l/min



15 pcs.



**b. 1950.508.5**

- with space-saver inlet pipe
- inlet 280x280 x 1 1/4
- rigid connection
- without outlet pipe
- outlet ø32
- without flange
- with anchor plate

size

1 1/4 x ø32

packaging

1x bag / 15 (B)

category

03



50 mm



40 l/min



15 pcs.



**c. 1950.500.5**

- with space-saver inlet pipe
- inlet 280x280 x 1 1/4
- rigid connection
- without outlet pipe
- outlet ø32
- without flange
- without anchor plate

size

1 1/4 x ø32

packaging

1x bag / 30 (Q)

category

03



50 mm



40 l/min



15 pcs.



**a. 1950.611.5**

- with space-saver inlet pipe
- inlet 600+250 x 1 1/4
- flexible connection
- outlet L. 250 x ø32
- PP flange ø80

size

1 1/4 x ø32

packaging

1x bag / 15 (B)

category

03



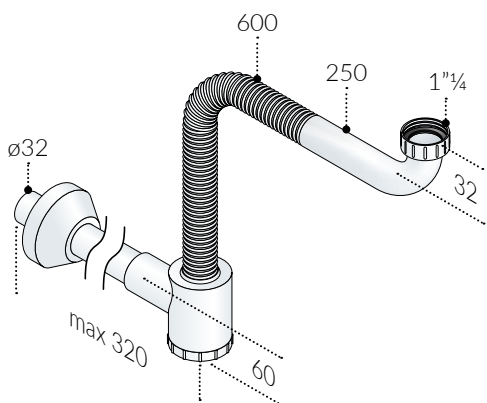
50 mm



40 l/min



15 pcs.



**b. 1950.608.5**

- with space-saver inlet pipe
- inlet 600+250 x 1 1/4
- flexible connection
- without outlet pipe
- outlet ø32
- without flange
- with anchor plate

size

1 1/4 x ø32

packaging

1x bag / 15 (B)

category

03



50 mm



40 l/min



15 pcs.



**c. 1950.600.5**

- with space-saver inlet pipe
- inlet 600+250 x 1 1/4
- flexible connection
- without outlet pipe
- outlet ø32
- without flange
- without anchor plate

size

1 1/4 x ø32

packaging

1x bag / 30 (Q)

category

03



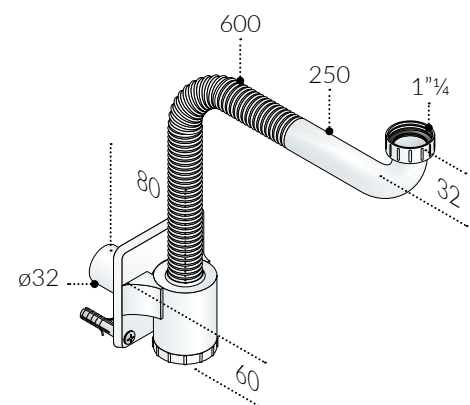
50 mm



40 l/min



15 pcs.



# 1650

## Squid

minimum encumbrance ABS space-saver trap

omp tea.eu

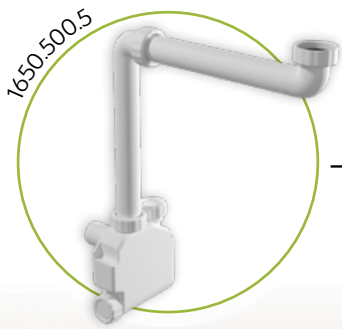


### \* NOTES

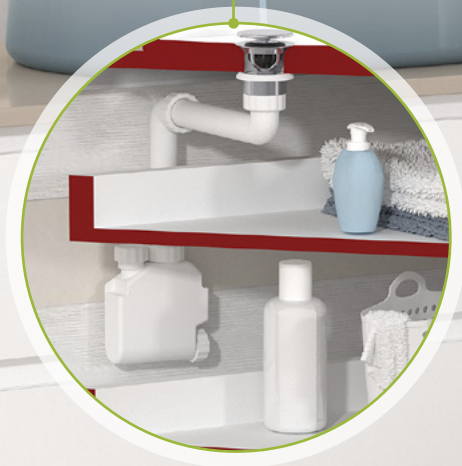
In the standard model, Squid does not have the waste included and has the following minimum dimensions:

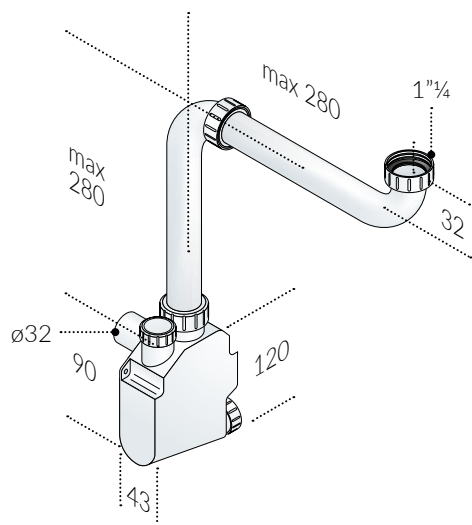
- **wall encumbrance**, with direct connection to the wall, in total only 43 mm
- **under waste encumbrance**, only 48 mm in total from the waste to the lower limit of the horizontal inlet pipe

In the image, the trap is shown in combination with clicker waste 7532.310.5, in this case in order to calculate the total under waste encumbrance you must add 30 mm referring to the counter nut of the clicker.



+

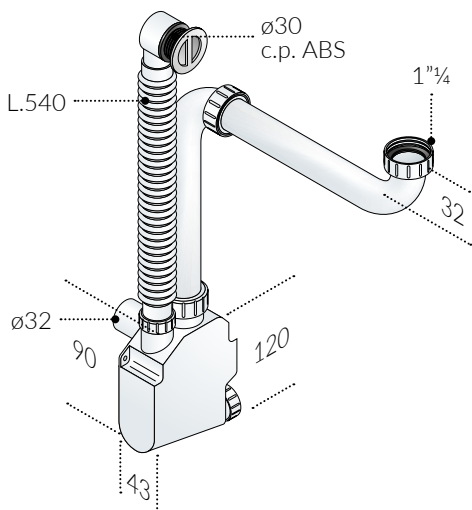




**a. 1650.500.5**

- inlet 280x280 x 1 1/4
- rigid connection
- without overflow connection
- without outlet pipe
- outlet ø32
- without flange
- with check hole

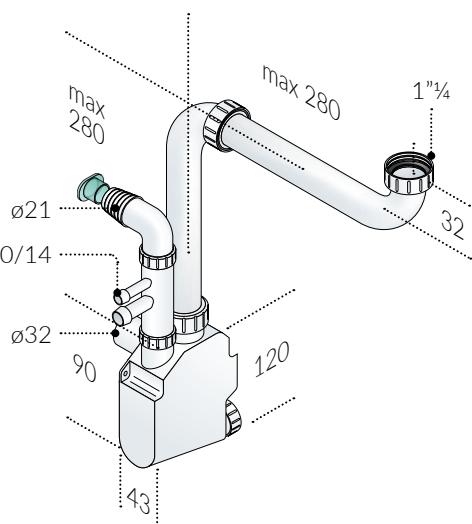
size	packaging	category
1 1/4 x ø32	1xbox / 16 (Q)	03
50 mm                  36 l/min                   16 pcs.		



**b. 1650.506.5**

- inlet 280x280 x 1 1/4
- rigid connection
- with flexible overflow connection with maximum tube length L. 540
- chrome plated ABS grid for ø30 holed
- without outlet pipe
- outlet ø32
- without flange
- with check hole

size	packaging	category
1 1/4 x ø32	1xbox / 16 (Q)	03
50 mm                  36 l/min                  15 l/min                   16 pcs.		



**c. 1650.503.5**

- inlet 280x280 x 1 1/4
- rigid connection
- without overflow connection
- with hose connection for conditioning-drops and dryer 1"xø10/14
- with hose connection for washing machine 1"xø21
- without outlet pipe
- outlet ø32
- without flange
- with check hole

size	packaging	category
1 1/4 x ø32	1xbox / 16 (Q)	03
50 mm                  36 l/min                   16 pcs.		

SPARE PARTS / CONNECTIONS

For more accessories and connections see the following page

1657

## Squid + Tea

minimum encumbrance ABS space-saver trap with waste

omptea.eu



### NOTES

The model with waste, includes in the box the item 7532.316.5 (c.p. brass click clack waste) and has the following minimum dimensions:

- **wall encumbrance**, with direct connection to the wall, in total only 43 mm
- **under waste encumbrance**, in total only 55 mm from the lower limit of the basin (or basin top) to that of the horizontal inlet pipe including ring nuts

The example image shows the total counter-wall and under-basin dimensions of the entire drain set, trap + waste.

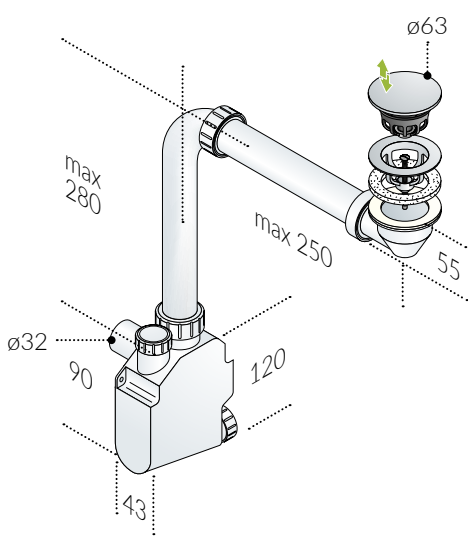
1650-500.5

7532-316.5

1657-500.5

55

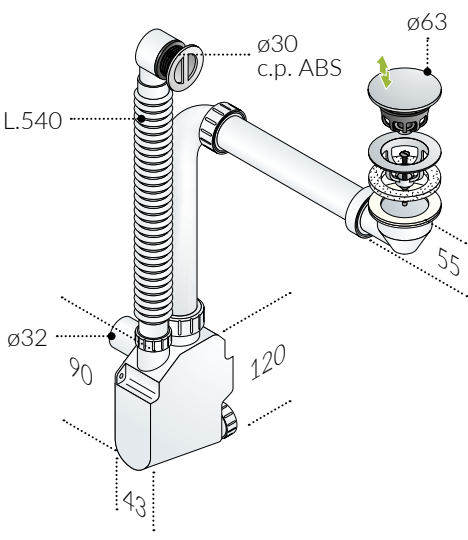
43



**a. 1657.500.5**

- with waste Tea 7532.316.5  
 $\phi 63$  c.p. plug (automatic)  
 H. 40 c.p. waste  
 H. 55 ABS counter nut  
 screw L. 35 and 60
- inlet  $280 \times 250 \times 1\frac{1}{4}$
- rigid connection
- without overflow connection
- without outlet pipe
- outlet  $\phi 32$
- without flange
- with check hole

size	packaging	category
$\phi 63 \times \phi 32$	1xbox / 16 (Q)	03
50 mm                      29 l/min                      16 pcs.		

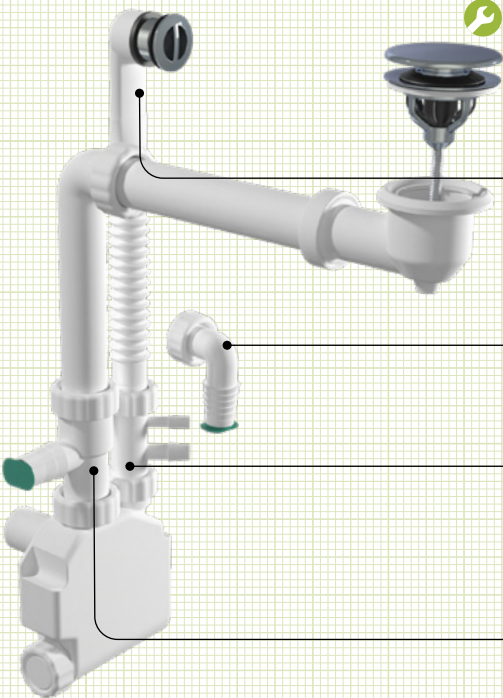


**b. 1657.506.5**

- with waste Tea 7532.316.5  
 $\phi 63$  c.p. plug (automatic)  
 H. 40 c.p. waste  
 H. 55 ABS counter nut  
 screw L. 35 and 60
- inlet  $280 \times 250 \times 1\frac{1}{4}$
- rigid connection
- with flexible overflow connection with maximum tube length L. 540
- chrome plated ABS grid for  $\phi 30$  holed
- without outlet pipe
- outlet  $\phi 32$
- without flange
- with check hole

size	packaging	category
$\phi 63 \times \phi 32$	1xbox / 16 (Q)	03
50 mm                      29 l/min                      15 l/min                      16 pcs.		

**ACCESSORIES**



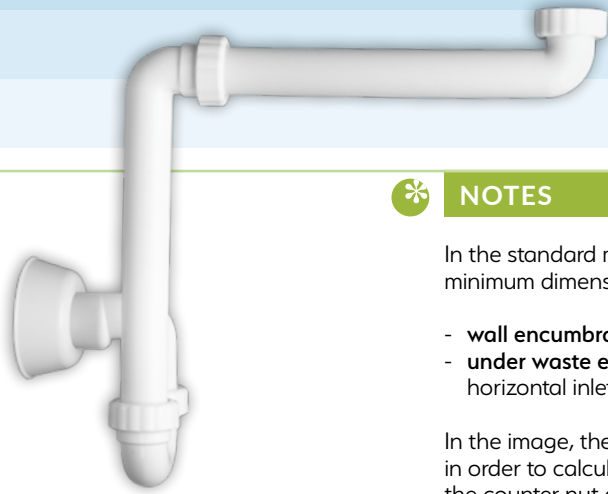
**247.301.0** (pag. 273)  
 overflow connection L.540 max  
 with c.p. ABS overflow grid for holes  $\phi 30$

**2111.110.4** (pag. 273)  
 to be used individually without the condensate / dryer connection fitting or in combination with it, it precludes the connection to the overflow with additional conical gasket specific for Squid

**2111.105.4** (pag. 269)  
 $1\frac{1}{4} \times \phi 10/14$  removable condensate and dryer connect on fitting supplied with closed inlet

**2111.103.5** (pag. 169)  
 washing machine connection fitting  $1\frac{1}{4} \times \phi 21$  removable and closable, to be used in order not to preclude the connection to the overflow

## PP space-saver traps

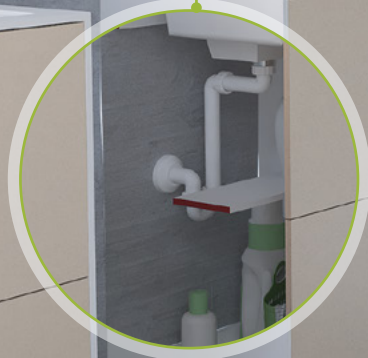
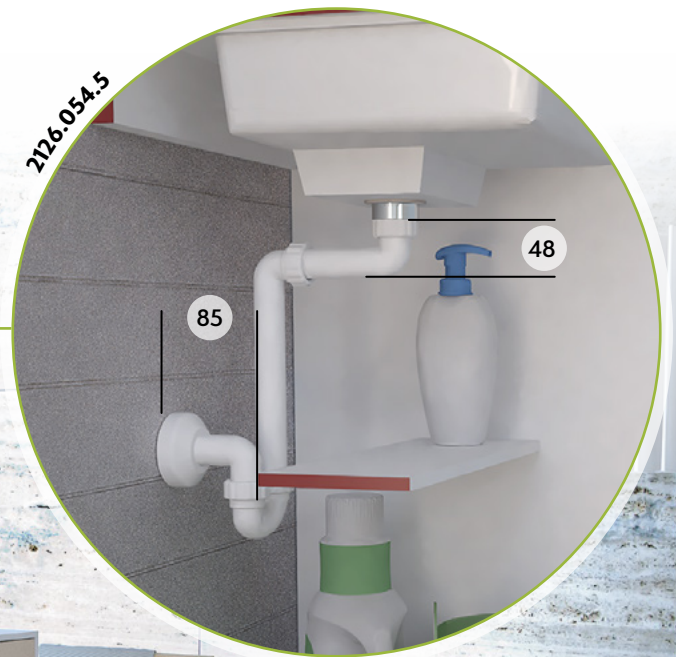


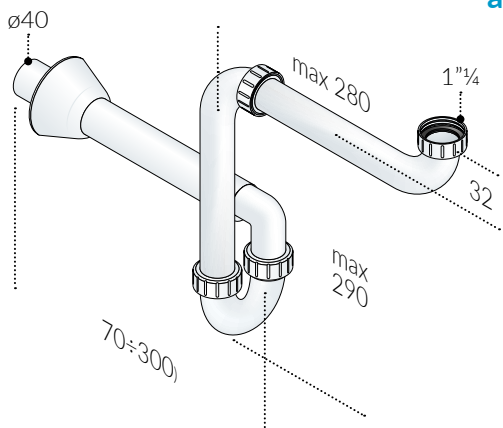
**NOTES**

In the standard models, without wastes included, the space-saver traps has the following minimum dimensions:

- **wall encumbrance**, minimum 85 mm
- **under waste encumbrance**, only 48 mm in total from the waste to the lower limit of the horizontal inlet pipe

In the image, the trap is shown in combination with clicker waste 7532.310.5, in this case in order to calculate the total under waste encumbrance you must add 30 mm referring to the counter nut of the clicker.





**a. 2126.054.6**

- inlet 280x280 x 1 1/4
- rigid connection
- outlet L. 300 x 40
- PP flange 80

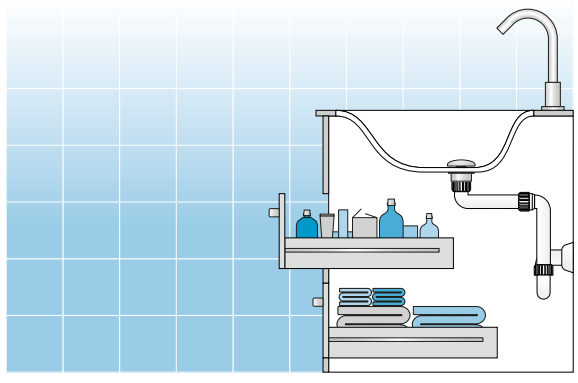
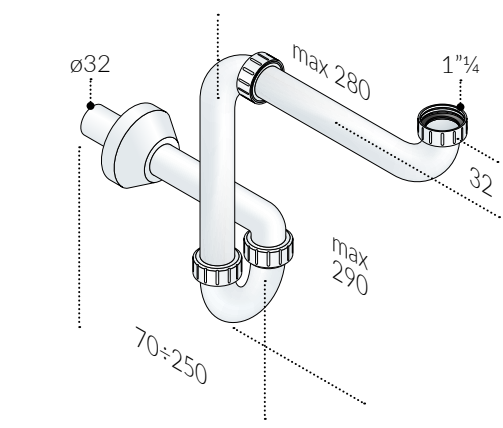
size	packaging	category
1 1/4 x 40	1x bag / 15 (B)	03



**b. 2126.054.5**

- inlet 280x280 x 1 1/4
- rigid connection
- outlet L. 250 x 32
- PP flange 80

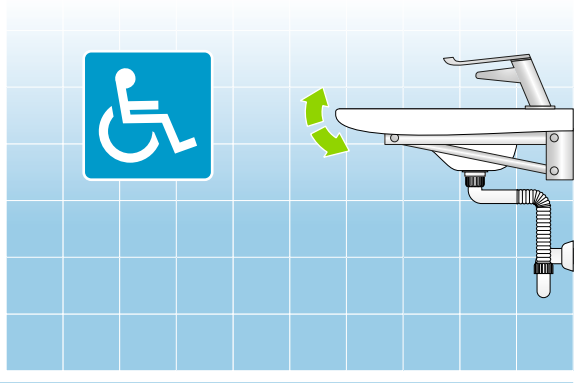
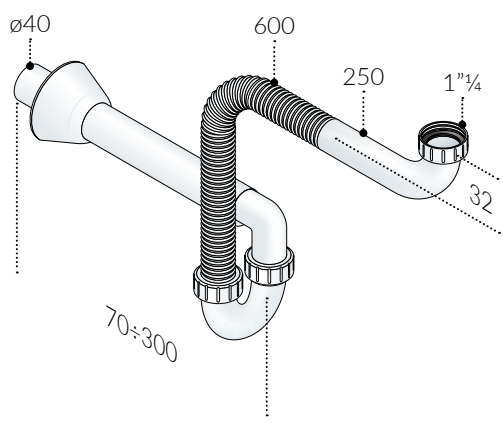
size	packaging	category
1 1/4 x 32	1x bag / 15 (B)	03



**a. 2126.554.6**

- inlet 600+250 x 1 1/4
- flexible connection
- outlet L. 300 x 40
- PP flange 80

size	packaging	category
1 1/4 x 40	1x bag / 15 (B)	03

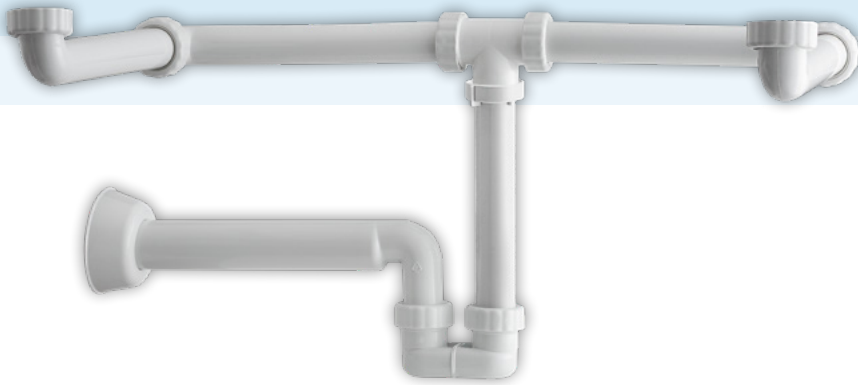


2122

new

# Mosquito 2

PP trap for double washbasin

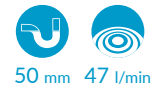


**a. 2122.054.6**

- connection 540x280 x 1 1/4
- inlet H. 200 x 1 1/4
- outlet L. 300 x ø40
- PP flange ø80

size

1 1/4 x ø40



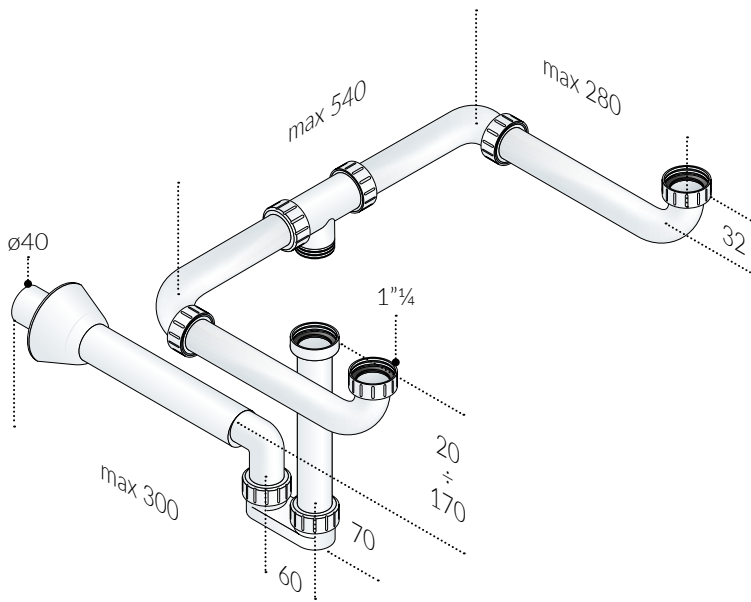
packaging

1x bag / 15 (Q)



category

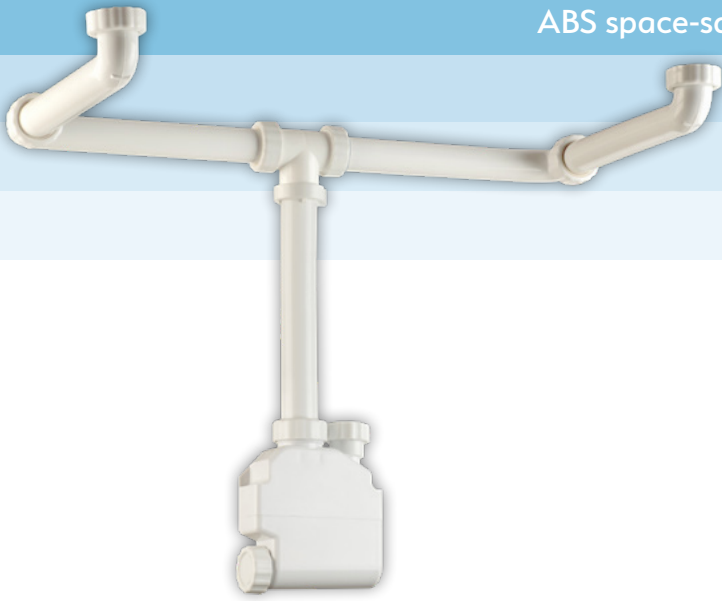
03



# 1652 Squid 2

new

ABS space-saver trap for double washbasin



## a. 1652.500.5

- connection 540x280 x 1 1/4"
- inlet H. 200 x 1 1/4"
- without overflow connection
- without outlet pipe
- outlet  $\phi 32$
- without flange
- with check hole

size

1 1/4" x  $\phi 32$

packaging

1xbox / 10 (A)

category

03



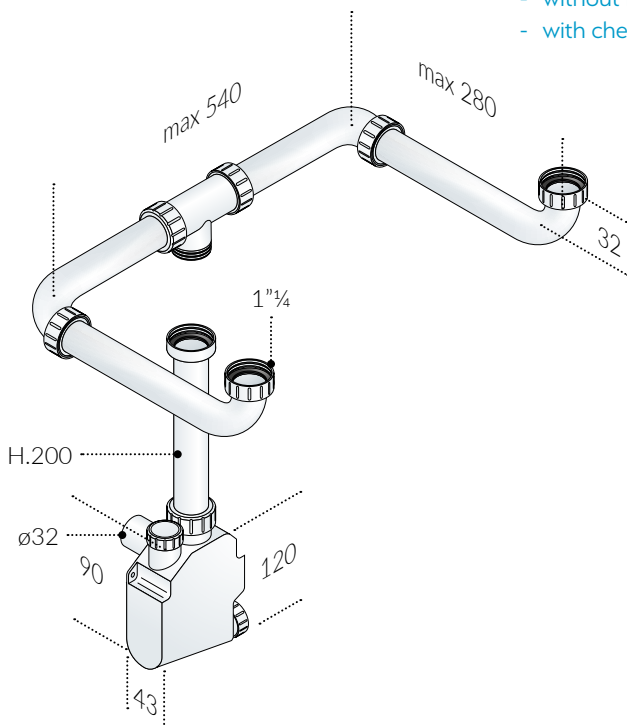
50 mm



36 l/min



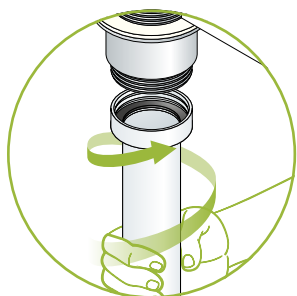
10 pcs.



## NOTES

With white PP inlet pipe H. 200

- 1 1/4" thread integrated to the inlet pipe
- to ease the installation also in those case of restricted accessibility like bidet installation





## Sink

- Pic nic -
- Punnet -
- other PP wastes -
- other brass wastes -
- brass stand pipe wastes -
- Orchid - new
- Praktik -
- Eurotrap -
- other PP bottle traps -
- other brass bottle traps -





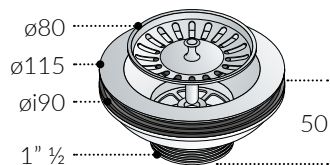
02



133

## Pic nic

PP basket waste for  $\phi 90$  sink holed



### a. 133.505.6

- s/steel basket grid  $\phi 80$
- s/steel plate  $\phi 115$
- without overflow
- screw L. 30

size

$\phi 115 \times 1\frac{1}{2}$

packaging

1×bag / 15 (l)

category

05



### b. 133.555.6

- s/steel basket grid  $\phi 80$
- s/steel plate  $\phi 115$
- without overflow
- screw L. 65

size

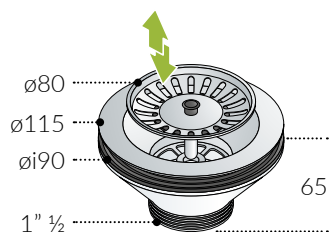
$\phi 115 \times 1\frac{1}{2}$

packaging

1×bag / 15 (l)

category

05



### a. 133.535.6

- s/steel basket grid  $\phi 80$   
(automatic)
- s/steel plate  $\phi 115$
- without overflow
- screw L. 30

size

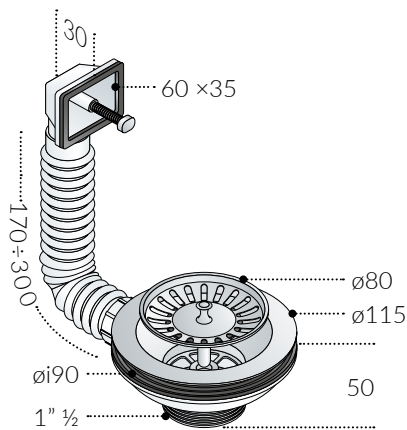
$\phi 115 \times 1\frac{1}{2}$

packaging

1×bag / 15 (l)

category

05



### a. 133.605.6

- s/steel basket grid  $\phi 80$
- s/steel plate  $\phi 115$
- rectangular overflow 60x35
- without overflow grid
- flexible connection L.max 300
- screw L. 30

size

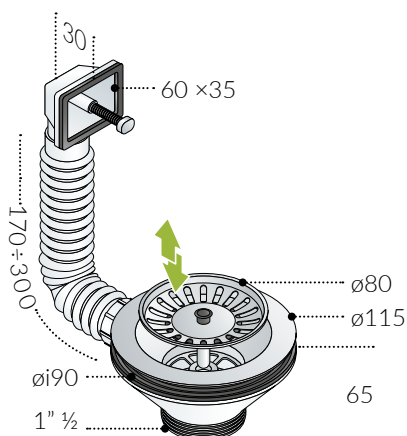
$\phi 115 \times 1\frac{1}{2}$

packaging

1×bag / 10 (l)

category

05



### a. 133.635.6

- s/steel basket grid  $\phi 80$   
(automatic)
- s/steel plate  $\phi 115$
- rectangular overflow 60x35
- without overflow grid
- flexible connection L.max 300
- screw L. 30

size

$\phi 115 \times 1\frac{1}{2}$

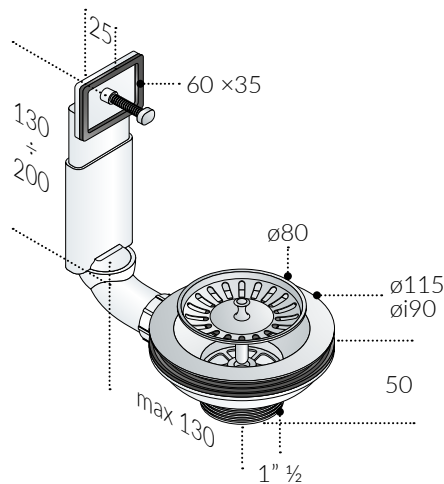
packaging

1×bag / 10 (l)

category

05





**a. 133.705.6**

- s/steel basket grid  $\phi 80$
- s/steel plate  $\phi 115$
- rectangular overflow  $60 \times 35$
- without overflow grid
- rigid connection  $200 \times 130$
- screw L. 30

size

$\phi 115 \times 1 \frac{1}{2}$

packaging

1x bag / 10 (l)

category

05



**a. 133.405.6**

- s/steel basket grid  $\phi 80$
- s/steel plate  $\phi 115$
- round overflow for  $\phi 30$  holed
- c.p. ABS overflow grid  $\phi 37$
- flexible connection L.max 300
- screw L. 30

size

$\phi 115 \times 1 \frac{1}{2}$

packaging

1x bag / 10 (l)

category

05



**b. 133.455.6**

- s/steel basket grid  $\phi 80$
- s/steel plate  $\phi 115$
- round overflow for  $\phi 30$  holed
- c.p. ABS overflow grid  $\phi 37$
- flexible connection L.max 300
- screw L. 65

size

$\phi 115 \times 1 \frac{1}{2}$

packaging

1x bag / 10 (l)

category

05



**a. 133.305.6**

- s/steel basket grid  $\phi 80$
- s/steel plate  $\phi 115$
- round overflow for  $\phi 30$  holed
- c.p. ABS overflow grid  $\phi 37$
- rigid connection  $160 \times 110$
- screw L. 30

size

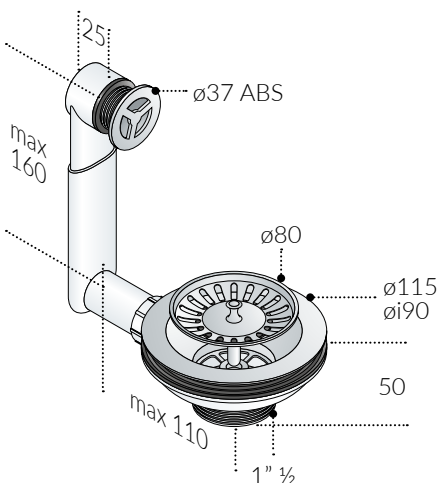
$\phi 115 \times 1 \frac{1}{2}$

packaging

1x bag / 10 (l)

category

05



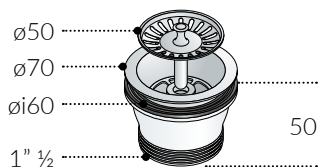
SPARE PARTS / BASKET GRID



137.070.0

For more informations see page 261

## Punnet

PP basket waste for  $\phi 60$  sink holed**a.** 132.505.6

- s/steel basket grid  $\phi 50$
- s/steel plate  $\phi 70$
- without overflow
- screw L. 30

size

 $\phi 70 \times 1\frac{1}{2}$ 

packaging

1x bag / 15 (l)

category

05



42 l/min



15 pcs.

**a.** 132.605.6

- s/steel basket grid  $\phi 50$
- s/steel plate  $\phi 70$
- rectangular overflow  $60 \times 35$
- without overflow grid
- flexible connection L.max 300
- screw L. 30

size

 $\phi 70 \times 1\frac{1}{2}$ 

packaging

1x bag / 10 (l)

category

05



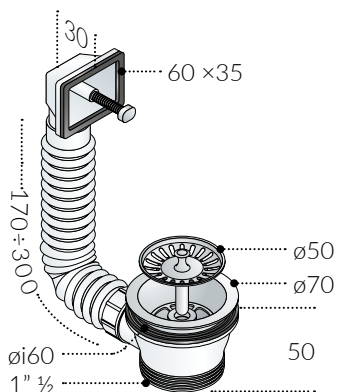
42 l/min



15 l/min



10 pcs.

**b.** 132.405.6

- s/steel basket grid  $\phi 50$
- s/steel plate  $\phi 70$
- round overflow for  $\phi 30$  holed
- c.p. ABS overflow grid  $\phi 37$
- flexible connection L.max 300
- screw L. 30

size

 $\phi 70 \times 1\frac{1}{2}$ 

packaging

1x bag / 10 (l)

category

05



42 l/min



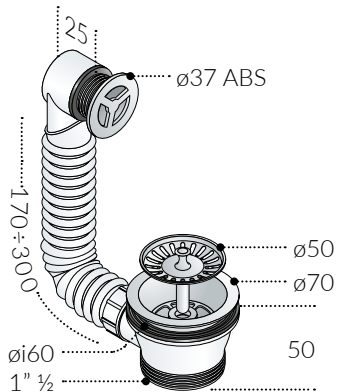
15 l/min



10 pcs.

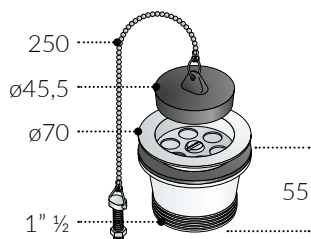


new





PP wastes for  $\phi 60$  sink holed



**a. 232.540.6**

- plug with ball-chain and stay ( $\phi 45,5$ )
- s/steel plate  $\phi 70$
- without overflow
- PP valve bottom H.50 x 1"½
- screw L. 35

size packaging category

$\phi 70 \times 1" \frac{1}{2}$  1x bag / 30 (T) 05

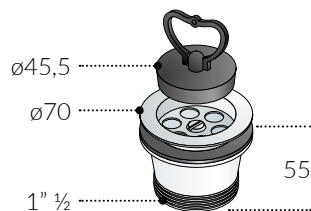


SPARE PARTS / PLUG



120.112.6

For more informations see page 253



**b. 232.530.6**

- plug with handle ( $\phi 45,5$ )
- s/steel plate  $\phi 70$
- without overflow
- PP valve bottom H.50 x 1"½
- screw L. 35

size packaging category

$\phi 70 \times 1" \frac{1}{2}$  1x bag / 30 (T) 05

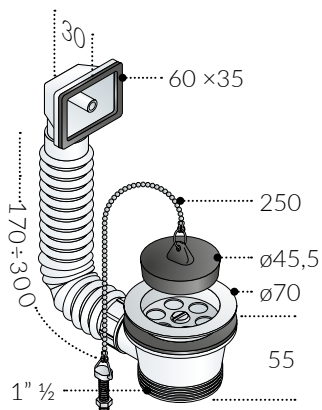


SPARE PARTS / PLUG



120.170.6

For more informations see page 253

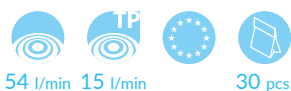


**a. 232.840.6**

- plug with ball-chain and stay ( $\phi 45,5$ )
- s/steel plate  $\phi 70$
- rectangular overflow 60x35
- without overflow grid
- flexible connection L.max 300
- PP valve bottom H.50 x 1"½
- screw L. 35

size packaging category

$\phi 70 \times 1" \frac{1}{2}$  1x bag / 30 (W) 05

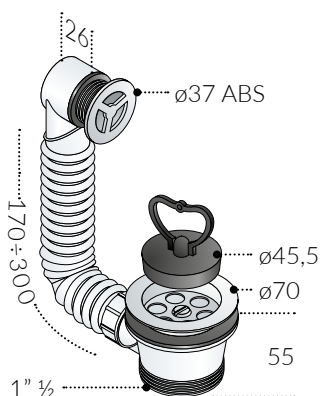


SPARE PARTS / PLUG



120.112.6

For more informations see page 253

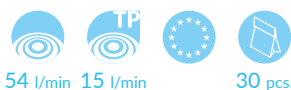


**a. 232.833.6**

- plug with handle ( $\phi 45,5$ )
- s/steel plate  $\phi 70$
- round overflow for  $\phi 30$  holed
- c.p. ABS overflow grid  $\phi 37$
- flexible connection L.max 300
- PP valve bottom H.50 x 1"½
- screw L. 35

size packaging category

$\phi 70 \times 1" \frac{1}{2}$  1x bag / 30 (W) 05

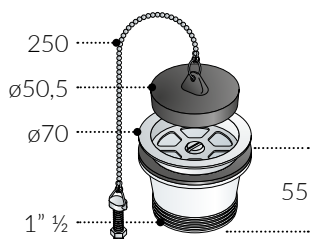


SPARE PARTS / PLUG



120.170.6

For more informations see page 253

**a. 234.540.6**

- plug with ball-chain and stay ( $\phi 50,5$ )
- s/steel plate  $\phi 70$
- without overflow
- PP valve bottom H.50 x 1"½
- screw L. 35

size

 $\phi 70 \times 1" \frac{1}{2}$ 

packaging

1×bag / 30 (T)

category

05



54 l/min

30 pcs.

**a. 234.640.6**

- plug with ball-chain and stay ( $\phi 50,5$ )
- s/steel plate  $\phi 70$
- rectangular overflow 60×35
- without overflow grid
- rigid connection 200×130
- PP valve bottom H.50 x 1"½
- screw L. 35

size

 $\phi 70 \times 1" \frac{1}{2}$ 

packaging

1×bag / 30 (B)

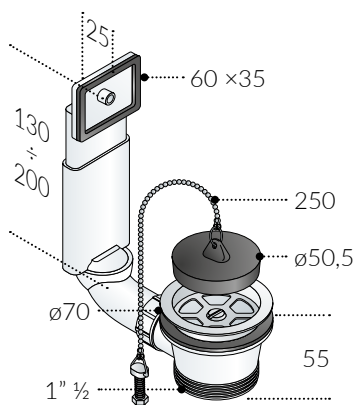
category

05



54 l/min 17 l/min

30 pcs.

**b. 234.641.6**

- plug with ball-chain and stay ( $\phi 50,5$ )
- s/steel plate  $\phi 70$
- rectangular overflow 60×35
- s/steel overflow grid 63×37
- rigid connection 200×130
- PP valve bottom H.50 x 1"½
- screw L. 35

size

 $\phi 70 \times 1" \frac{1}{2}$ 

packaging

1×bag / 30 (B)

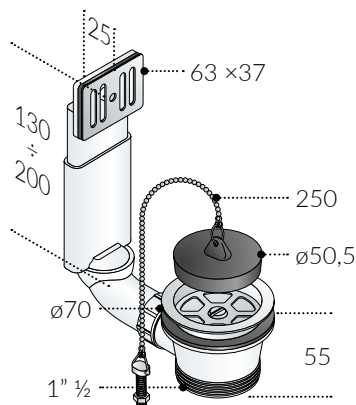
category

05



54 l/min 17 l/min

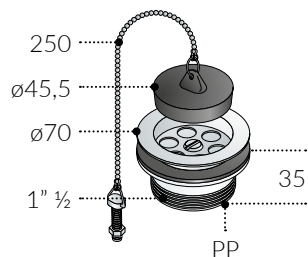
30 pcs.



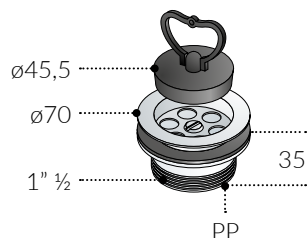


...

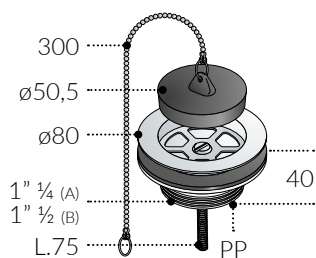
PP wastes for  $\phi 60$  sink holed



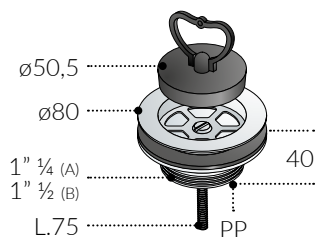
a. 232.545.6	size	packaging	category
<ul style="list-style-type: none"> <li>- plug with ball-chain and stay (<math>\phi 45,5</math>)</li> <li>- s/steel plate <math>\phi 70</math></li> <li>- without overflow</li> <li>- PP valve bottom H.30 x 1"½</li> <li>- screw L. 35</li> </ul>	$\phi 70 \times 1" \frac{1}{2}$	10×bag / 60 (T)	05
	66 l/min 30 pcs.		
SPARE PARTS / PLUG		120.112.6	



b. 232.535.6	size	packaging	category
<ul style="list-style-type: none"> <li>- plug with handle (<math>\phi 45,5</math>)</li> <li>- s/steel plate <math>\phi 70</math></li> <li>- without overflow</li> <li>- PP valve bottom H.30 x 1"½</li> <li>- screw L. 35</li> </ul>	$\phi 70 \times 1" \frac{1}{2}$	10×bag / 60 (T)	05
	66 l/min 30 pcs.		
SPARE PARTS / PLUG		120.170.6	

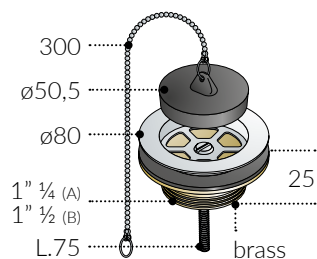


a. 234.625.5	size	packaging	category
<ul style="list-style-type: none"> <li>- plug with ball-chain and ring (<math>\phi 50,5</math>)</li> <li>- s/steel plate <math>\phi 80</math></li> <li>- PP valve bottom H.35 x 1"¼</li> <li>- screw L. 75</li> </ul>	$\phi 80 \times 1" \frac{1}{4}$	10×bag / 60 (T)	05
	48 l/min 60 pcs.		
b. 234.625.6	size	packaging	category
<ul style="list-style-type: none"> <li>- plug with ball-chain and ring (<math>\phi 50,5</math>)</li> <li>- s/steel plate <math>\phi 80</math></li> <li>- PP valve bottom H.35 x 1"½</li> <li>- screw L. 75</li> </ul>	$\phi 80 \times 1" \frac{1}{2}$	10×bag / 60 (T)	05
	59 l/min 60 pcs.		
SPARE PARTS / PLUG		120.112.0	

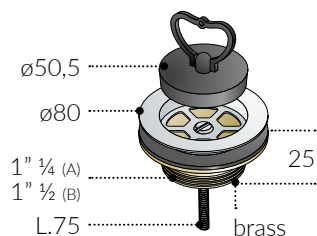


a. 234.635.5	size	packaging	category
<ul style="list-style-type: none"> <li>- plug with handle (<math>\phi 50,5</math>)</li> <li>- s/steel plate <math>\phi 80</math></li> <li>- PP valve bottom H.35 x 1"¼</li> <li>- screw L. 75</li> </ul>	$\phi 80 \times 1" \frac{1}{4}$	10×bag / 60 (T)	05
	48 l/min 60 pcs.		
b. 234.635.6	size	packaging	category
<ul style="list-style-type: none"> <li>- plug with handle (<math>\phi 50,5</math>)</li> <li>- s/steel plate <math>\phi 80</math></li> <li>- PP valve bottom H.35 x 1"½</li> <li>- screw L. 75</li> </ul>	$\phi 80 \times 1" \frac{1}{2}$	10×bag / 60 (T)	05
	59 l/min 60 pcs.		
SPARE PARTS / PLUG		120.170.7	

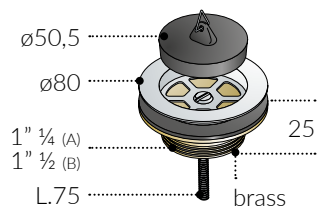


brass wastes for  $\phi 60$  sink holed

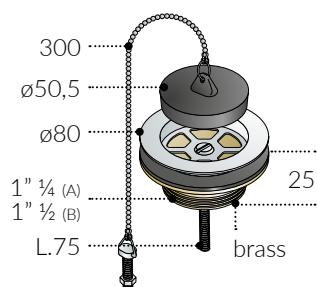
a.	34.625.5	size	packaging	category
	<ul style="list-style-type: none"> <li>- plug with ball-chain and ring (<math>\phi 50,5</math>)</li> <li>- s/steel plate <math>\phi 80</math></li> <li>- brass valve bottom H.20 <math>\times</math> 1" <math>\frac{1}{4}</math></li> <li>- screw L. 75</li> </ul>	$\phi 80 \times 1" \frac{1}{4}$	10×box / 50 (T)	04
		54 l/min 50 pcs.		
b.	34.625.6	size	packaging	category
	<ul style="list-style-type: none"> <li>- plug with ball-chain and ring (<math>\phi 50,5</math>)</li> <li>- s/steel plate <math>\phi 80</math></li> <li>- brass valve bottom H.20 <math>\times</math> 1" <math>\frac{1}{2}</math></li> <li>- screw L. 75</li> </ul>	$\phi 80 \times 1" \frac{1}{2}$	10×box / 50 (T)	04
		62 l/min 50 pcs.		
SPARE PARTS / PLUG				120.112.0



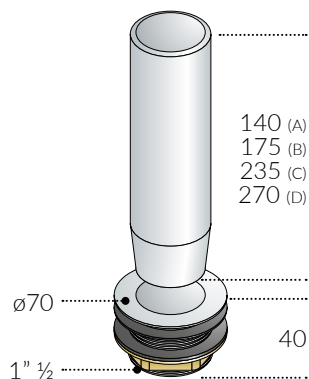
a.	34.635.5	size	packaging	category
	<ul style="list-style-type: none"> <li>- plug with handle (<math>\phi 50,5</math>)</li> <li>- s/steel plate <math>\phi 80</math></li> <li>- brass valve bottom H.20 <math>\times</math> 1" <math>\frac{1}{4}</math></li> <li>- screw L. 75</li> </ul>	$\phi 80 \times 1" \frac{1}{4}$	10×box / 50 (T)	04
		54 l/min 50 pcs.		
b.	34.635.6	size	packaging	category
	<ul style="list-style-type: none"> <li>- plug with handle (<math>\phi 50,5</math>)</li> <li>- s/steel plate <math>\phi 80</math></li> <li>- brass valve bottom H.20 <math>\times</math> 1" <math>\frac{1}{2}</math></li> <li>- screw L. 75</li> </ul>	$\phi 80 \times 1" \frac{1}{2}$	10×box / 50 (T)	04
		62 l/min 50 pcs.		
SPARE PARTS / PLUG				120.170.7



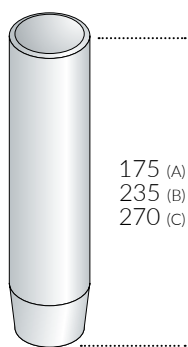
a.	34.615.5	size	packaging	category
	<ul style="list-style-type: none"> <li>- plug with triangle (<math>\phi 50,5</math>)</li> <li>- s/steel plate <math>\phi 80</math></li> <li>- brass valve bottom H.20 <math>\times</math> 1" <math>\frac{1}{4}</math></li> <li>- screw L. 75</li> </ul>	$\phi 80 \times 1" \frac{1}{4}$	10×box / 50 (T)	04
		54 l/min 50 pcs.		
b.	34.615.6	size	packaging	category
	<ul style="list-style-type: none"> <li>- plug with triangle (<math>\phi 50,5</math>)</li> <li>- s/steel plate <math>\phi 80</math></li> <li>- brass valve bottom H.20 <math>\times</math> 1" <math>\frac{1}{2}</math></li> <li>- screw L. 75</li> </ul>	$\phi 80 \times 1" \frac{1}{2}$	10×box / 50 (T)	04
		62 l/min 50 pcs.		
SPARE PARTS / PLUG				120.120.7



a.	34.645.5	size	packaging	category
	<ul style="list-style-type: none"> <li>- plug with ball-chain and stay (<math>\phi 50,5</math>)</li> <li>- s/steel plate <math>\phi 80</math></li> <li>- brass valve bottom H.20 <math>\times</math> 1" <math>\frac{1}{4}</math></li> <li>- screw L. 75</li> </ul>	$\phi 80 \times 1" \frac{1}{4}$	10×box / 50 (T)	04
		54 l/min 50 pcs.		
b.	34.645.6	size	packaging	category
	<ul style="list-style-type: none"> <li>- plug with ball-chain and stay (<math>\phi 50,5</math>)</li> <li>- s/steel plate <math>\phi 80</math></li> <li>- brass valve bottom H.20 <math>\times</math> 1" <math>\frac{1}{2}</math></li> <li>- screw L. 75</li> </ul>	$\phi 80 \times 1" \frac{1}{2}$	10×box / 50 (T)	04
		62 l/min 50 pcs.		



a.	140.416.6	size	packaging	category
	<ul style="list-style-type: none"> <li>- c.p. brass stand pipe H. 140</li> <li>- H. 40 × 1 1/2 threaded shaft</li> <li>- raw brass through-counter nut</li> <li>- unslotted</li> </ul>	H.140 × 1 1/2	5×box / 50 (Q)	15
		59 l/min	50 pcs.	
b.	140.436.6	size	packaging	category
	<ul style="list-style-type: none"> <li>- c.p. brass stand pipe H. 175</li> <li>- H. 40 × 1 1/2 threaded shaft</li> <li>- raw brass through-counter nut</li> <li>- unslotted</li> </ul>	H.175 × 1 1/2	5×box / 50 (Q)	15
		59 l/min	50 pcs.	
c.	140.456.6	size	packaging	category
	<ul style="list-style-type: none"> <li>- c.p. brass stand pipe H. 235</li> <li>- H. 40 × 1 1/2 threaded shaft</li> <li>- raw brass through-counter nut</li> <li>- unslotted</li> </ul>	H.235 × 1 1/2	5×box / 40 (A)	15
		59 l/min	50 pcs.	
d.	140.466.6	size	packaging	category
	<ul style="list-style-type: none"> <li>- c.p. brass stand pipe H. 270</li> <li>- H. 40 × 1 1/2 threaded shaft</li> <li>- raw brass through-counter nut</li> <li>- unslotted</li> </ul>	H.270 × 1 1/2	5×box / 40 (A)	15
		59 l/min	50 pcs.	



a.	139.436.6	size	packaging	category
	<ul style="list-style-type: none"> <li>- c.p. brass stand pipe H. 175</li> <li>- for waste</li> </ul>	H.175	8×bag / 80 (C)	08
		80 pcs.		
b.	139.456.6	size	packaging	category
	<ul style="list-style-type: none"> <li>- c.p. brass stand pipe H. 235</li> <li>- for waste</li> </ul>	H.235	8×bag / 80 (C)	08
		80 pcs.		
c.	139.466.6	size	packaging	category
	<ul style="list-style-type: none"> <li>- c.p. brass stand pipe H. 270</li> <li>- for waste</li> </ul>	H.270	8×bag / 80 (C)	08
		80 pcs.		

1750

new

# Orchid 1

minimum encumbrance PP space-saver trap for single sink



## \* NOTES

- wall encumbrance, maximum 65 mm
- under waste encumbrance, 70 mm in total from the waste to the lower limit of the horizontal inlet pipe (waste encumbrance excluded)



a. 1750.501.6

size

packaging

category

- inlet 250x250 x 1 1/2"
- 1 hose connection
- without outlet pipe
- outlet ø40
- without flange
- with check hole

1 1/2" x ø40

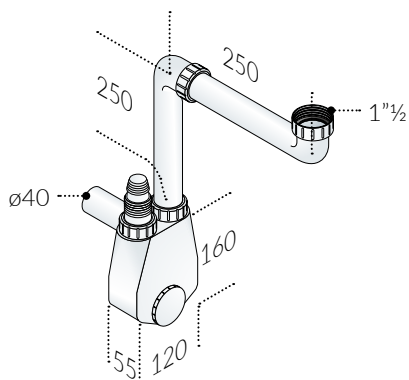
1xbox / 10 (A)

03



50 mm 64 l/min

10 pcs.



1752

new

# Orchid 2

minimum encumbrance PP space-saver trap for double sink



## NOTES

- wall encumbrance, maximum 65 mm
- under waste encumbrance, 70 mm in total from the waste to the lower limit of the horizontal inlet pipe (waste encumbrance excluded)



**a.** 1752.501.6

- inlet 180x250 x 1 1/2"
- 1 hose connection
- without outlet pipe
- outlet ø40
- without flange
- with check hole

size

1 1/2" x ø40

packaging

1xbox / 10 (Q)

category

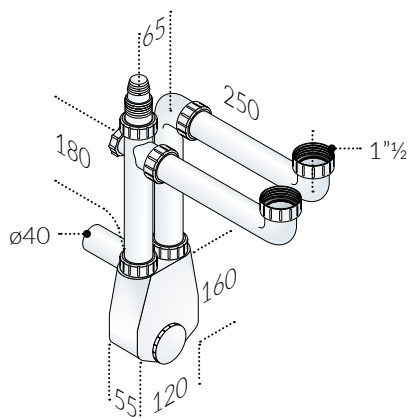
03



50 mm 64 l/min



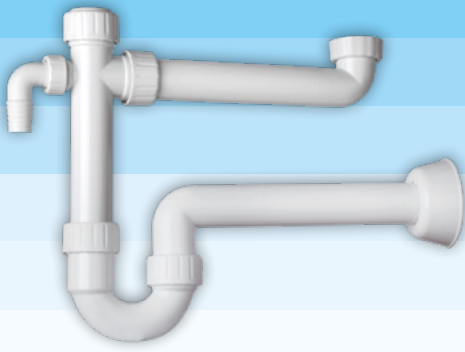
10 pcs.



2011

# Praktik 1

reduced encumbrance PP trap for single sink



## \* NOTES

- wall encumbrance, minimum 90 mm (wall flange included)
- under waste encumbrance, 70 mm in total from the waste to the lower limit of the horizontal inlet pipe (waste encumbrance excluded)



### a. 2011.454.6

- inlet 250x250 x 1 1/2"
- 2 hose connections
- outlet L. 250 x ø40
- PP flange ø80

size

1 1/2" x ø40

packaging

1xbox / 10 (A)

category

03



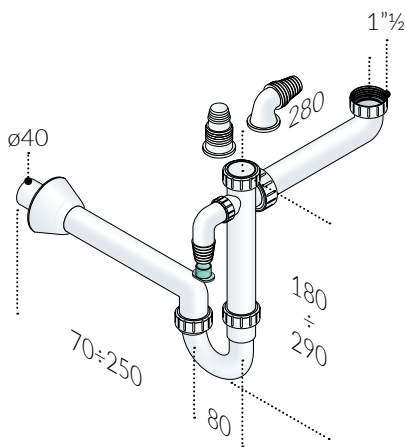
60 mm



56 l/min



10 pcs.



### SPARE PARTS / BRASS FITTINGS



#### Series 101

To connect to the old lead pipes, it is possible to combine the raw brass fittings  
For more informations see page 247



# 2012 Praktik 2

reduced encumbrance PP trap for double sink



## NOTES

- wall encumbrance, minimum 90 mm (wall flange included)
- under waste encumbrance, 70 mm in total from the waste to the lower limit of the horizontal inlet pipe (waste encumbrance excluded)



a. 2012.454.6

- inlet 250x250 x 1 1/2"
- 2 hose connections
- outlet L. 250 x ø40
- PP flange ø80

size

1 1/2" x ø40

packaging

1xbox / 10 (Q)

category

03



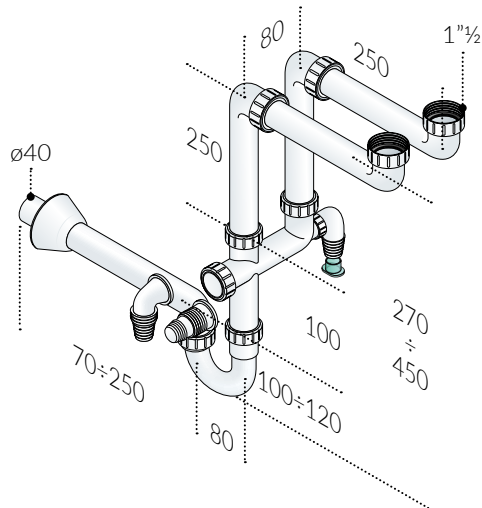
60 mm



67 l/min



10 pcs.



### SPARE PARTS / BRASS FITTINGS

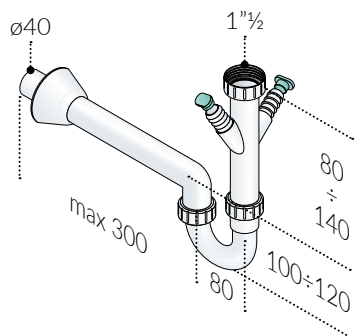
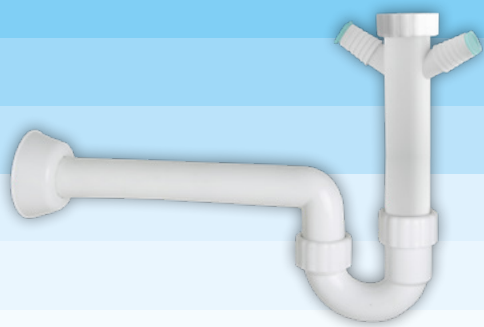


#### Series 101

To connect to the old lead pipes, it is possible to combine the raw brass fittings  
For more informations see page 247

## Eurotrap 1

PP trap for single sink



## a. 226.754.6

- inlet H. 170 × 1½"
- 2 hose connections
- outlet L. 300 × ø40
- PP flange ø80

size

1½" × ø40

packaging

1×bag / 30 (Q)

category

03



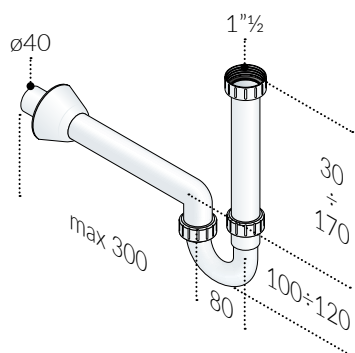
60 mm



65 l/min



30 pcs.



## b. 226.454.6

- inlet H. 200 × 1½"
- without hose connections
- outlet L. 300 × ø40
- PP flange ø80

size

1½" × ø40

packaging

1×bag / 30 (Q)

category

03



60 mm

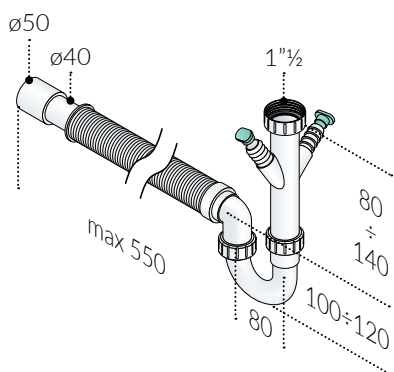


65 l/min



30 pcs.

new



## a. 226.747.8

- inlet H. 170 × 1½"
- 2 hose connections
- flexible outlet  
L. 550 × ø40/50
- without flange

size

1½" × ø40/50

packaging

1×bag / 25 (Q)

category

03



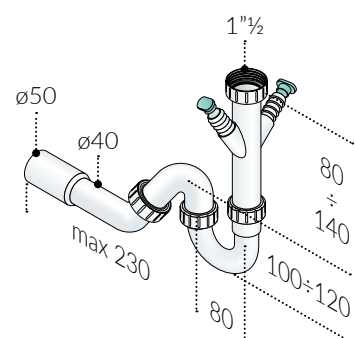
60 mm



65 l/min



25 pcs.



## a. 226.708.8

- inlet H. 170 × 1½"
- 2 hose connections
- universal outlet  
L. 230 × ø40/50
- without flange

size

1½" × ø40/50

packaging

1×bag / 30 (Q)

category

03



60 mm



65 l/min



30 pcs.



## SPARE PARTS / BRASS FITTINGS

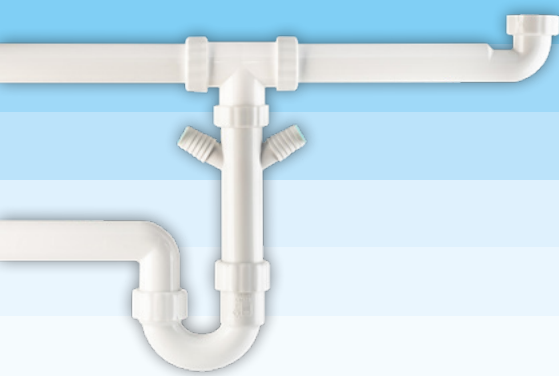


## Series 101

To connect to the old lead pipes, it is possible to combine the raw brass fittings  
For more informations see page 247

## Eurotrap 2

PP trap for double sink



## a. 228.654.6

- connect. L. 580 × 1½"
- inlet H. 170 × 1½"
- 2 hose connections
- outlet L. 300 × ø40
- PP flange ø80

size

1½" × ø40

packaging

1×bag / 15 (Q)

category

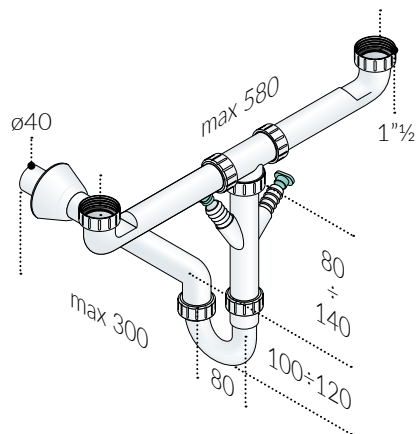
03



60 mm 67 l/min



15 pcs.



## b. 228.254.6

- connect. L. 580 × 1½"
- inlet H. 200 × 1½"
- without hose connections
- outlet L. 300 × ø40
- PP flange ø80

size

1½" × ø40

packaging

1×bag / 15 (Q)

category

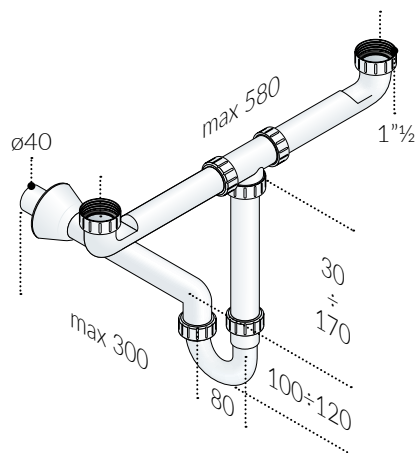
03



60 mm 67 l/min



15 pcs.



## SPARE PARTS / BRASS FITTINGS

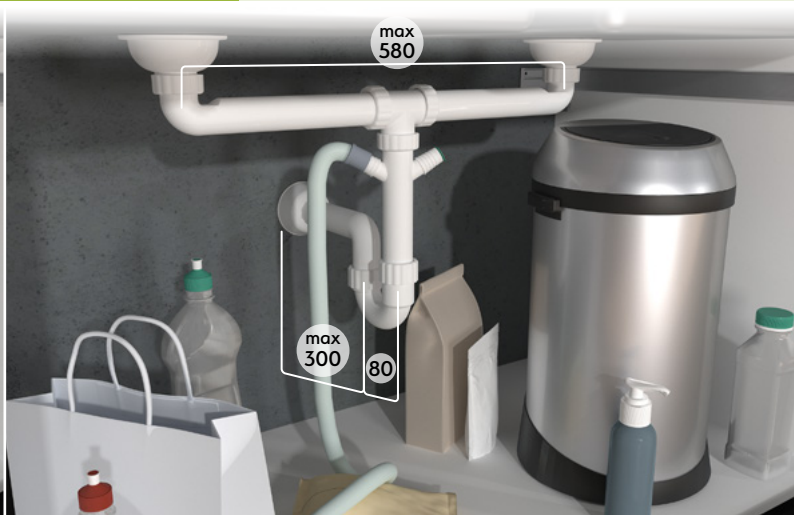


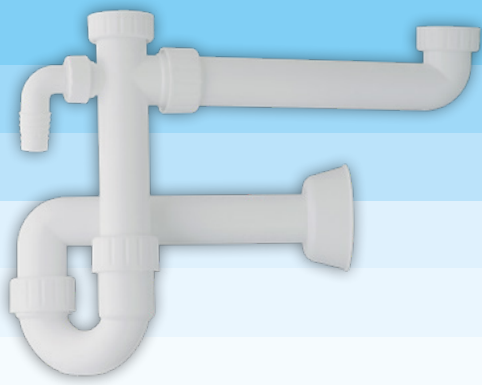
## Series 101

To connect to the old lead pipes, it is possible to combine the raw brass fittings  
For more informations see page 247



## NOTES

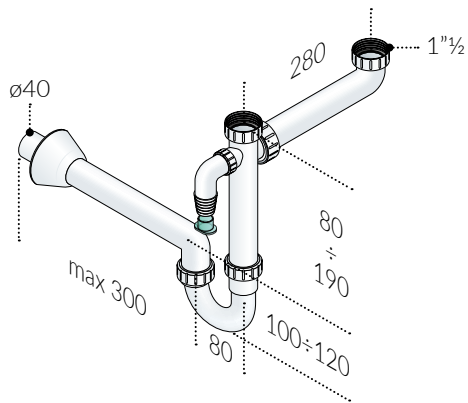




227

## Eurotrap 2

PP trap for double sink



**a.** 227.754.6

- inlet 200×280 × 1 1/2
- 1 hose connection
- outlet L. 300 × ø40
- PP flange ø80

size

1 1/2 × ø40

packaging

1×bag / 15 (C)

category

03



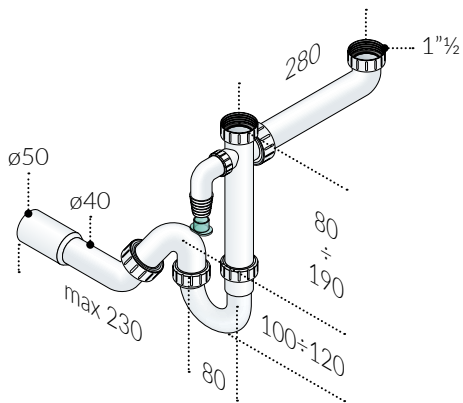
60 mm



67 l/min



15 pcs.



**b.** 227.708.8

- inlet 200×280 × 1 1/2
- 1 hose connection
- universal outlet L. 230 × ø40/50
- without flange

size

1 1/2 × ø40/50

packaging

1×bag / 15 (C)

category

03



60 mm



67 l/min



15 pcs.



SPARE PARTS / BRASS FITTINGS

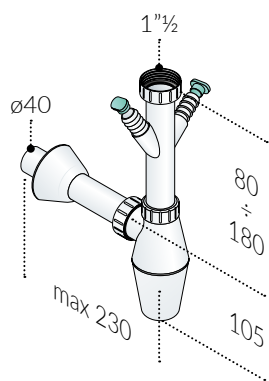
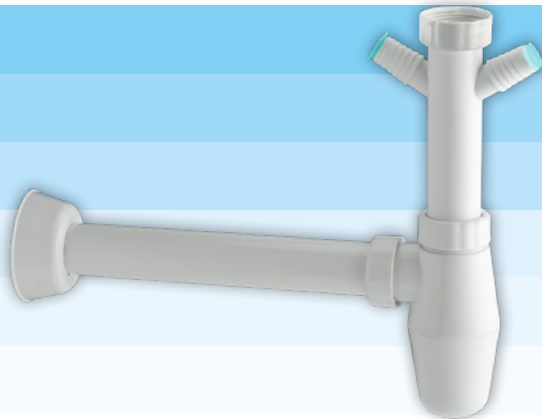


**Series 101**

To connect to the old lead pipes, it is possible to combine the raw brass fittings  
For more informations see page 247

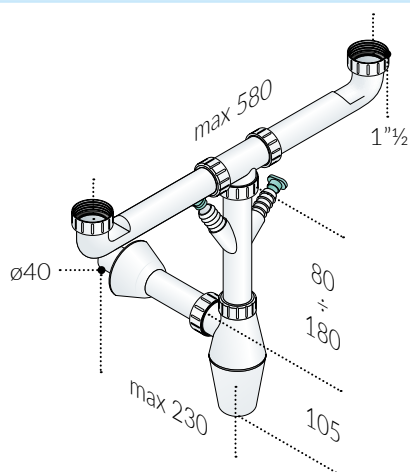
# 3215 + 3216

PP bottle traps for single and double sink



a. 3215.744.6	size	packaging	category
<ul style="list-style-type: none"> <li>- for single sink</li> <li>- inlet H. 170 × 1"½</li> <li>- 2 hose connections</li> <li>- outlet L. 200 × ø40</li> <li>- PP flange ø80</li> </ul>	1"½ × ø40	1×bag / 30 (C)	03
	60 mm                      55 l/min                       30 pcs.		

b. 3215.804.6	size	packaging	category
<ul style="list-style-type: none"> <li>- for single sink</li> <li>- inlet H. 170 × 1"½</li> <li>- 2 hose connections</li> <li>- without outlet pipe</li> <li>- outlet ø40</li> <li>- without flange</li> </ul>	1"½ × ø40	1×bag / 60 (A)	03
	60 mm                      55 l/min                       60 pcs.		



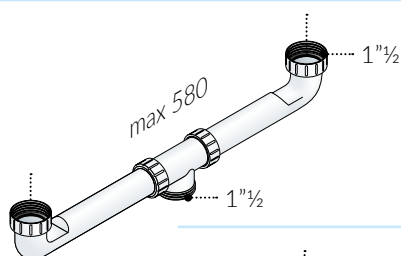
a. 3216.744.6	size	packaging	category
<ul style="list-style-type: none"> <li>- for double sink</li> <li>- connect. L. 580 × 1"½</li> <li>- inlet H. 170 × 1"½</li> <li>- 2 hose connections</li> <li>- outlet L. 200 × ø40</li> <li>- PP flange ø80</li> </ul>	1"½ × ø40	1×bag / 15 (Q)	03
	60 mm                      62 l/min                       15 pcs.		

### SPARE PARTS / BRASS FITTINGS

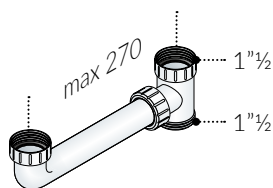


#### Series 101

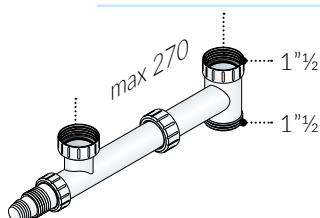
To connect to the old lead pipes, it is possible to combine the raw brass fittings  
For more informations see page 247



a. 214.654.6	size	packaging	category
<ul style="list-style-type: none"> <li>- PP set for double sink</li> <li>- max length 580</li> <li>- inlet 1"½</li> <li>- outlet 1"½</li> </ul>	1"½ × 1"½	1×bag / 30 (A)	10
	20 pcs.		



b. 2414.234.6	size	packaging	category
<ul style="list-style-type: none"> <li>- PP set for double sink</li> <li>- max length 270</li> <li>- inlet 1"½</li> <li>- outlet 1"½</li> </ul>	1"½ × 1"½	1×bag / 30 (B)	10
	30 pcs.		

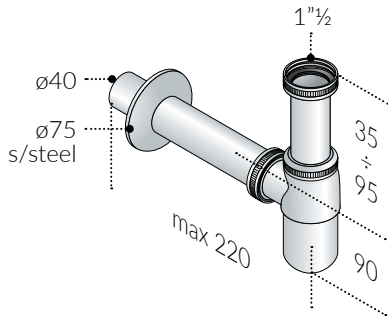
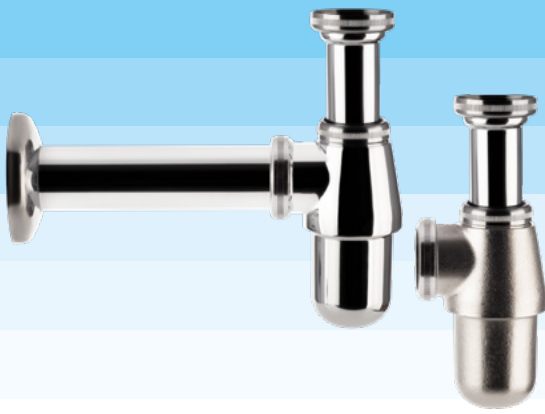


c. 2414.334.6	size	packaging	category
<ul style="list-style-type: none"> <li>- PP set for double sink</li> <li>- telescopic arm, max length 270</li> <li>- with hose connection</li> <li>- inlet 1"½</li> <li>- outlet 1"½</li> </ul>	1"½ × 1"½	1×bag / 30 (B)	10
	30 pcs.		

# 19

## Lux sink

chrome plated brass bottle trap for single sink



### a. 19.212.6

- inlet H. 75 × 1 1/2
- outlet L. 190 × ø40
- s/steel flange ø75

size

1 1/2 × ø40

packaging

1×box / 30 (B)

category

01



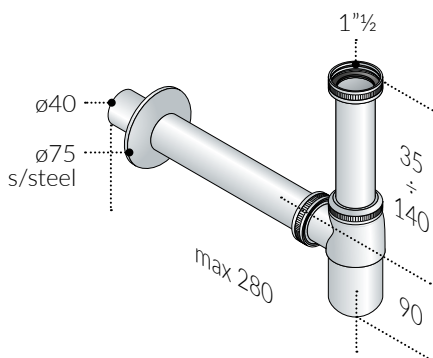
50 mm



58 l/min



30 pcs.



### b. 19.422.6

- inlet H. 120 × 1 1/2
- outlet L. 250 × ø40
- s/steel flange ø75

size

1 1/2 × ø40

packaging

1×box / 30 (C)

category

01



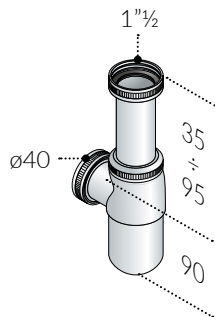
50 mm



58 l/min



30 pcs.



### a. 19.200.6

- inlet H. 75 × 1 1/2
- without outlet pipe
- outlet ø40
- without flange

size

1 1/2 × ø40

packaging

1×box / 30 (B)

category

01



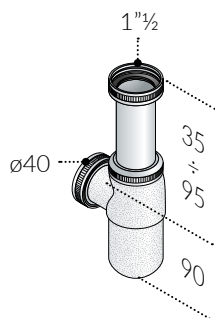
50 mm



58 l/min



30 pcs.



### b. 19.200.6.1

- in raw nickel plated brass
- inlet H. 75 × 1 1/2
- without outlet pipe
- outlet ø40
- without flange

size

1 1/2 × ø40

packaging

1×box / 30 (B)

category

01



50 mm



58 l/min



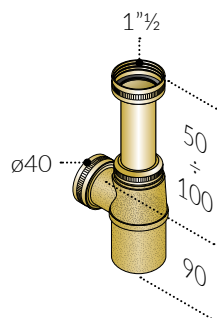
30 pcs.





...

mat raw brass bottle trap for single sink

**a. 149.405.6.4**

- in mat raw brass
- inlet H. 80 × 1 1/2
- without outlet pipe
- outlet  $\varnothing 40$
- without flange

size

1 1/2 ×  $\varnothing 40$ 

packaging

1×box / 30 (T)

category

01



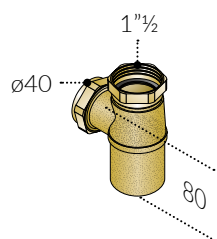
40 mm



38 l/min



30 pcs.

**a. 149.505.6.4**

- in mat raw brass
- without inlet pipe
- inlet 1 1/2
- without outlet pipe
- outlet  $\varnothing 40$
- without flange
- with brass hexagonal nuts

size

1 1/2 ×  $\varnothing 40$ 

packaging

1×box / 30 (B)

category

01



40 mm



38 l/min



30 pcs.





## Shower tray

- Vega -
- Vega evo -
- Aloha -
- Altair -
- Auva mini -
- Auva slick - new
- Concita - new
- Albireo -
- Wei -
- Vega mini + Naos -
- Gienah -
- Sadr P -
- Sadr S -
- other brass and plastic wastes -



for the sanitary ware image, special thanks to  
**technova**

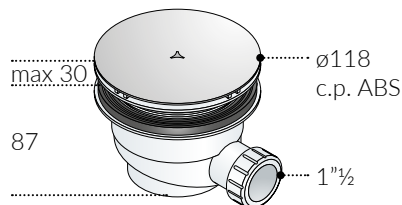


03

# 5261 + 5258

## Vega

PP trapped waste for  $\phi 90$  holed tray



### a. 5261.076.6

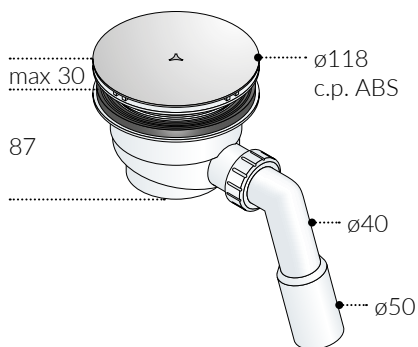
- c.p. ABS grid  $\phi 118$
- PP flange  $\phi 115$
- lateral outlet  $1\frac{1}{2}$
- room under shower tray 87

size packaging category

$\phi 118 \times 1\frac{1}{2}$  1xbox / 16 (B) 06



50 mm 27 l/min 16 pcs.



### b. 5261.078.8

- c.p. ABS grid  $\phi 118$
- PP flange  $\phi 115$
- lateral outlet  $1\frac{1}{2}$
- PP  $45^\circ$  bended outlet  $\phi 40/50$
- room under shower tray 87

size packaging category

$\phi 118 \times \phi 50$  1xbox / 12 (B) 06



50 mm 27 l/min 12 pcs.

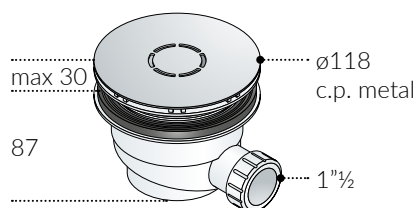


#### SPARE PARTS / GRID



119.522.0

For more informations see page 262



### a. 5261.086.6

- c.p. metal grid  $\phi 118$
- PP flange  $\phi 115$
- lateral outlet  $1\frac{1}{2}$
- room under shower tray 87

size packaging category

$\phi 118 \times 1\frac{1}{2}$  1xbox / 16 (B) 06



50 mm 27 l/min 16 pcs.

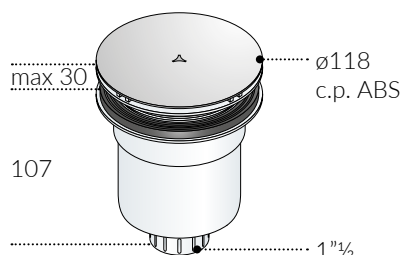


#### SPARE PARTS / GRID



119.512.0

For more informations see page 262



### a. 5258.076.6

- c.p. ABS grid  $\phi 118$
- PP flange  $\phi 115$
- vertical outlet  $1\frac{1}{2}$
- room under shower tray 107

size packaging category

$\phi 118 \times 1\frac{1}{2}$  1xbag / 20 (B) 06



50 mm 41 l/min 20 pcs.



#### SPARE PARTS / GRID



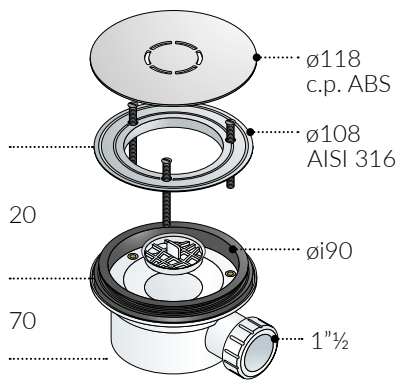
119.522.0

For more informations see page 262

# 5661 + 5641

## Vega evo

PP trapped waste for  $\phi 90$  holed tray



### a. 5661.076.6

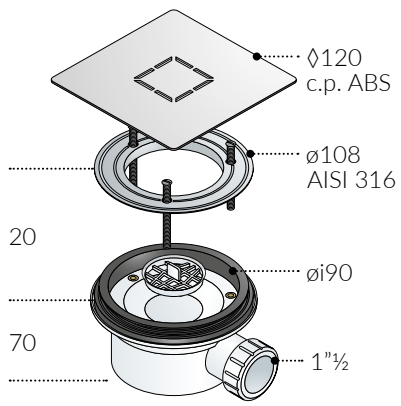
- c.p. ABS grid  $\phi 118$
- s/steel AISI316 flange  $\phi 108$
- lateral outlet  $1\frac{1}{2}$
- room under shower tray 70

size	packaging	category
$\phi 118 \times 1\frac{1}{2}$	1xbox / 16 (B)	06

50 mm   
 26 l/min   
   
 16 pcs.



SPARE PARTS / GRID  
**119.523.0**  
 For more informations see page 262



### a. 5641.076.6

- c.p. ABS grid  $\phi 120$
- s/steel AISI316 flange  $\phi 108$
- lateral outlet  $1\frac{1}{2}$
- room under shower tray 70

size	packaging	category
$\phi 120 \times 1\frac{1}{2}$	1xbox / 16 (B)	06

50 mm   
 26 l/min   
   
 16 pcs.   



SPARE PARTS / GRID  
**119.527.0**  
 For more informations see page 262

**minimum encumbrance**  
Vega evo is conform to standard waste with lower room under shower tray

Model	Water seal	Water volume	Room under shower tray
5261.076.6	50 mm	27 l/min	87
5661.076.6	50 mm	26 l/min	70

### NOTES

### a. 5661.006.6

- without grid
- s/steel AISI316 flange  $\phi 108$
- gasket for acrylic shower tray
- lateral outlet  $1\frac{1}{2}$
- room under shower tray 70

size	packaging	category
$\phi 108 \times 1\frac{1}{2}$	1xbox / 16 (B)	06

50 mm   
 26 l/min   
   
 16 pcs.   

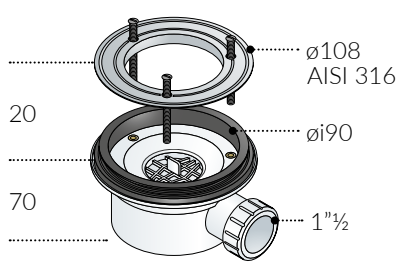


### b. 5661.106.6

- without grid
- s/steel AISI316 flange  $\phi 108$
- gasket for ceramic shower tray
- lateral outlet  $1\frac{1}{2}$
- room under shower tray 70

size	packaging	category
$\phi 108 \times 1\frac{1}{2}$	1xbox / 16 (B)	06

50 mm   
 26 l/min   
   
 16 pcs.   

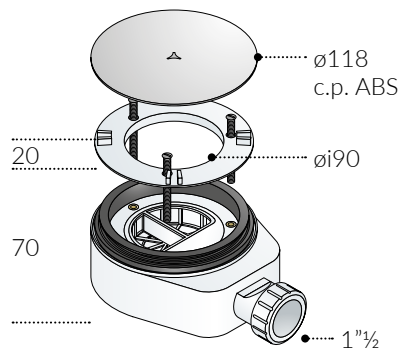




6261 + 6241

# Aloha

PP trapped waste for  $\phi 90$  holed tray



## a. 6261.076.6

- c.p. ABS grid  $\phi 118$
- POM flange  $\phi 115$
- lateral outlet 1"½
- room under shower tray 70

size

$\phi 118 \times 1"½$

packaging

1×box / 16 (B)

category

06



## b. 6261.078.8

- c.p. ABS grid  $\phi 118$
- POM flange  $\phi 115$
- lateral outlet 1"½
- PP 45° bended outlet  $\phi 40/50$
- room under shower tray 70

size

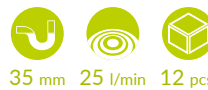
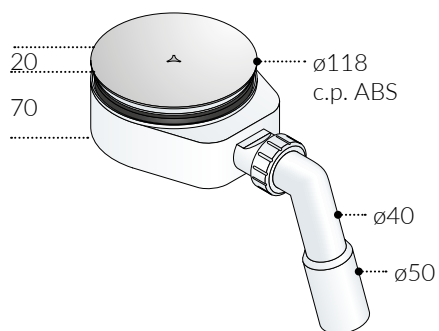
$\phi 118 \times \phi 50$

packaging

1×box / 12 (B)

category

06



SPARE PARTS / GRID

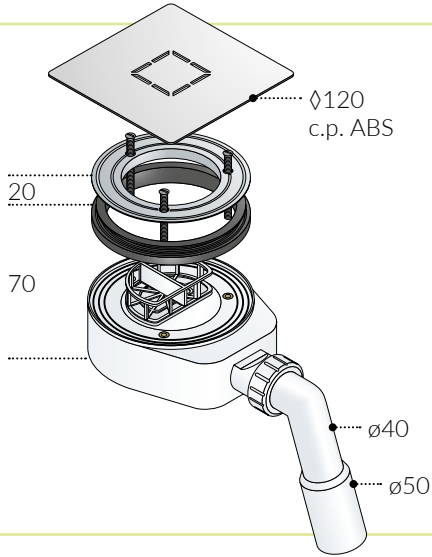


119.522.0

For more informations see page 262

## \* NOTES





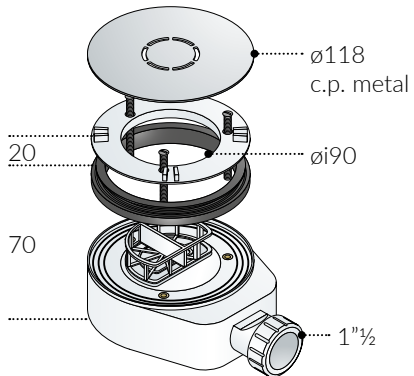
- a. 6241.078.8**
- c.p. ABS grid ø120
  - s/steel AISI316 flange ø108
  - lateral outlet 1 1/2"
  - PP 45° bended outlet ø40/50
  - room under shower tray 70

size	packaging	category
Ø120 × ø50	1×box / 12 (B)	06
35 mm	25 l/min	12 pcs.



**SPARE PARTS / GRID**

**119.527.0**  
For more informations see page 262



- a. 6261.086.6**
- c.p. metal grid ø118
  - POM flange ø115
  - lateral outlet 1 1/2"
  - room under shower tray 70

size	packaging	category
ø118 × 1 1/2"	1×box / 16 (B)	06
35 mm	25 l/min	16 pcs.



**OTHER FINISHING AVAILABLE**

<b>matt black</b> 6261.086.6.X	<b>matt white</b> 6261.086.6.XD	<b>polished gold</b> 6261.086.6.3	<b>brushed nickel</b> 6261.086.6.Y2	<b>brushed bronze</b> -
-----------------------------------	------------------------------------	--------------------------------------	--	----------------------------

**SPARE PARTS / GRID**

**119.512.0**  
For more informations see page 262

**\* NOTES**

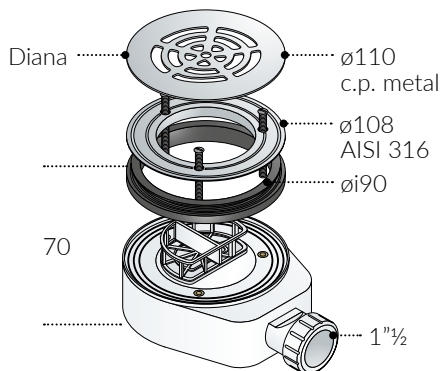




# 6561

## Altair

PP trapped waste for  $\phi 90$  holed tray



### a. 6561.086.6

- c.p. metal grid  $\phi 110$
- model Diana
- s/steel AISI316 flange  $\phi 108$
- lateral outlet 1"½
- room under shower tray 70

size

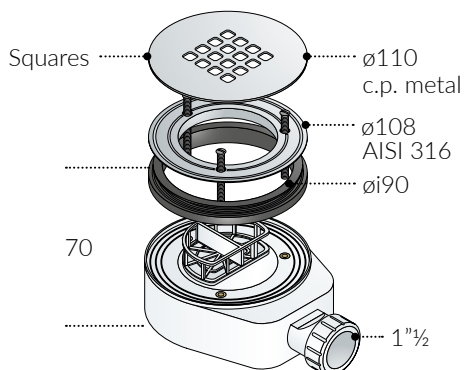
$\phi 110 \times 1" \frac{1}{2}$

packaging

1×box / 16 (B)

category

06



### b. 6561.286.6

- c.p. metal grid  $\phi 110$
- model Squares
- s/steel AISI316 flange  $\phi 108$
- lateral outlet 1"½
- room under shower tray 70

size

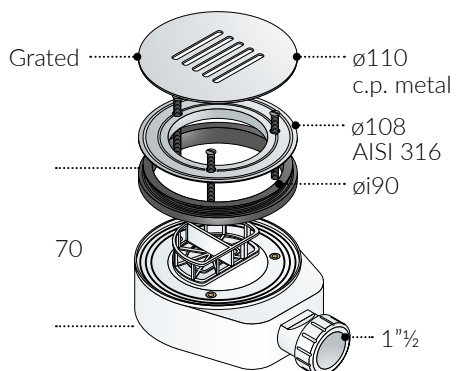
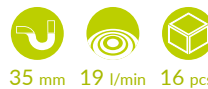
$\phi 110 \times 1" \frac{1}{2}$

packaging

1×box / 16 (B)

category

06



### c. 6561.386.6

- c.p. metal grid  $\phi 110$
- model Grated
- s/steel AISI316 flange  $\phi 108$
- lateral outlet 1"½
- room under shower tray 70

size

$\phi 110 \times 1" \frac{1}{2}$

packaging

1×box / 16 (B)

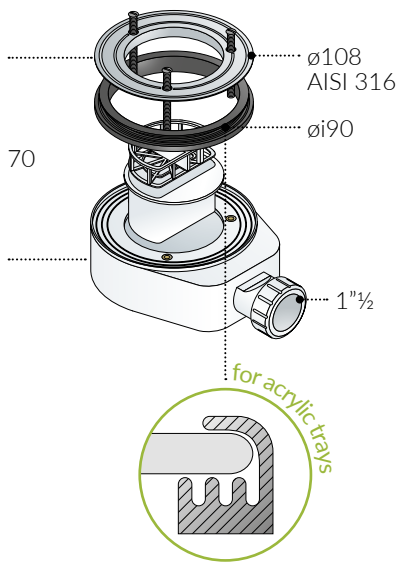
category

06



### \* NOTES





**a. 6561.006.6**

- without grid
- s/steel AISI316 flange ø108
- gasket for acrylic shower tray
- lateral outlet 1"½
- room under shower tray 70

size

ø108 × 1"½

packaging

1×box / 16 (B)

category

06



**b. 6561.106.6**

- without grid
- s/steel AISI316 flange ø108
- gasket for ceramic shower tray
- lateral outlet 1"½
- room under shower tray 70

size

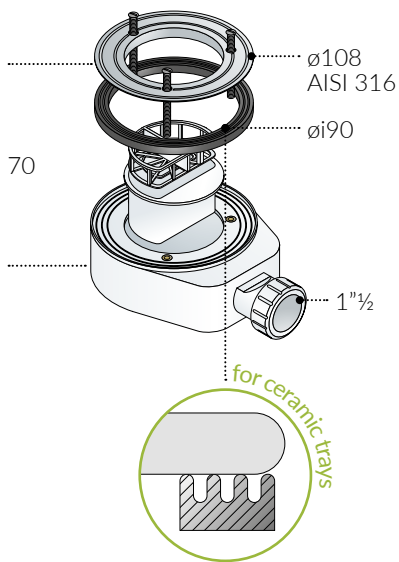
ø108 × 1"½

packaging

1×box / 16 (B)

category

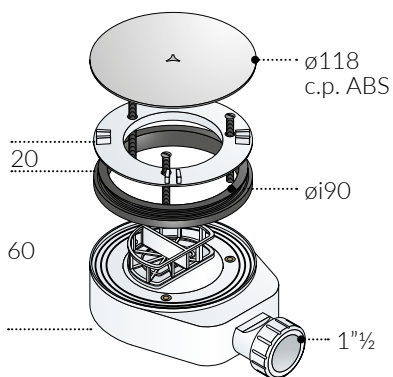
06



# 6621

## Auva mini

PP trapped waste for  $\phi 90$  holed tray,  
reduced encumbrance



### a. 6621.076.6

- c.p. ABS grid  $\phi 118$
- POM flange  $\phi 115$
- lateral outlet 1"½
- room under shower tray 60

size                      packaging                      category

$\phi 118 \times 1" \frac{1}{2}$       1×box / 16 (B)                      06

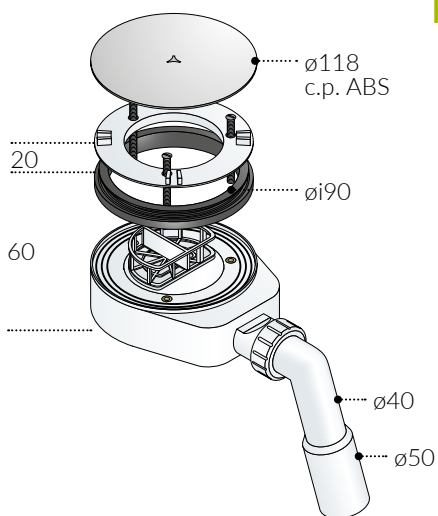
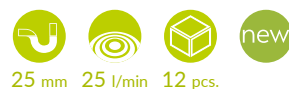


### b. 6621.078.8

- c.p. ABS grid  $\phi 118$
- POM flange  $\phi 115$
- lateral outlet 1"½
- PP 45° bended outlet  $\phi 40/50$
- room under shower tray 60

size                      packaging                      category

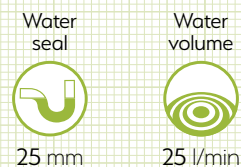
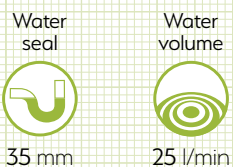
$\phi 118 \times \phi 50$       1×box / 12 (B)                      06



#### SPARE PARTS / GRID

119.522.0  
For more informations see page 262

#### \* NOTES



6261.076.6



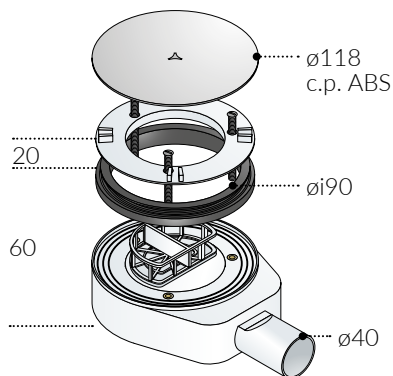
6621.076.6

# 6621

new

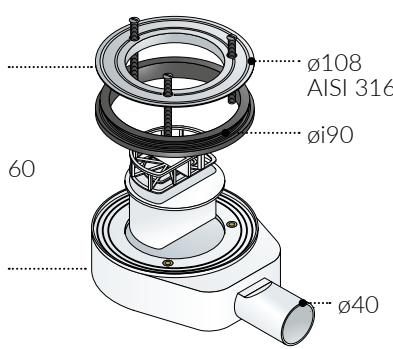
## Auva slick

PP trapped waste for  $\phi 90$  holed tray,  
reduced encumbrance with slick lateral outlet



a. 6621.071.6	size	packaging	category
<ul style="list-style-type: none"> <li>- c.p. ABS grid <math>\phi 118</math></li> <li>- POM flange <math>\phi 115</math></li> <li>- slick lateral outlet <math>\phi 40</math></li> <li>- room under shower tray 60</li> </ul>	$\phi 118 \times \phi 40$	1xbox / 16 (B)	06
	25 mm            27 l/min            16 pcs.		

**SPARE PARTS / GRID**  
**119.522.0**  
 For more informations see page 262



a. 6621.001.6	size	packaging	category
<ul style="list-style-type: none"> <li>- without grid</li> <li>- s/steel AISI316 flange <math>\phi 108</math></li> <li>- gasket for acrylic shower tray</li> <li>- slick lateral outlet <math>\phi 40</math></li> <li>- room under shower tray 60</li> </ul>	$\phi 108 \times \phi 40$	1xbox / 16 (B)	06
	25 mm            27 l/min            16 pcs.		

b. 6621.101.6	size	packaging	category
<ul style="list-style-type: none"> <li>- without grid</li> <li>- s/steel AISI316 flange <math>\phi 108</math></li> <li>- gasket for ceramic shower tray</li> <li>- slick lateral outlet <math>\phi 40</math></li> <li>- room under shower tray 60</li> </ul>	$\phi 108 \times \phi 40$	1xbox / 16 (B)	06
	25 mm            27 l/min            16 pcs.		

### NOTES

Water seal  
 35 mm

Water volume  
 25 l/min

Water seal  
 25 mm

Water volume  
 27 l/min



6621.076.6

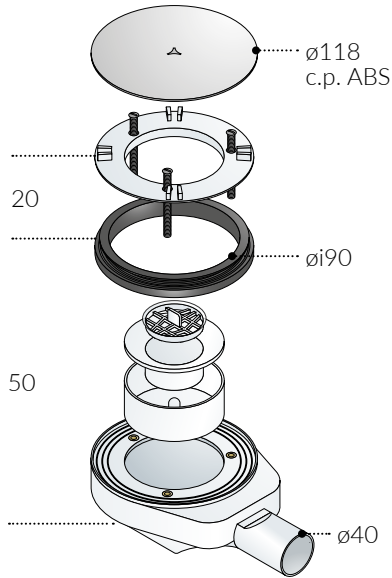


6621.071.6

# 6721

## Concita

PP trapped waste for  $\phi 90$  holed tray,  
minimum encumbrance and slick lateral outlet



### a. 6721.071.6

- c.p. ABS grid  $\phi 118$
- POM flange  $\phi 115$
- slick lateral outlet  $\phi 40$
- room under shower tray 55

size

$\phi 118 \times 1\frac{1}{2}$

packaging

1xbox / 16 (B)

category

06



SPARE PARTS / GRID



119.522.0

For more informations see page 262



### NOTES



#### Minimal space requirement

Concita is the lowest-profile shower waste among the Tea range items for shower trays

Water seal



35 mm

Water volume



25 l/min

Water seal



22 mm

Water volume



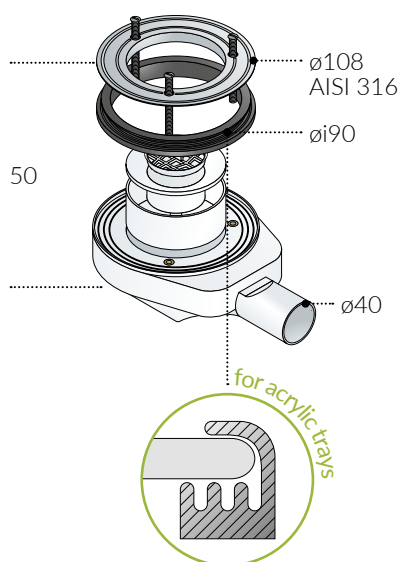
22 l/min



6261.076.6



6721.071.6



**a. 6721.001.6**

- without grid
- s/steel AISI316 flange  $\phi 108$
- gasket for acrylic shower tray
- slick lateral outlet  $\phi 40$
- room under shower tray 55

size

$\phi 108 \times \phi 40$

packaging

1xbox / 16 (B)

category

06



**b. 6721.101.6**

- without grid
- s/steel AISI316 flange  $\phi 108$
- gasket for ceramic shower tray
- slick lateral outlet  $\phi 40$
- room under shower tray 55

size

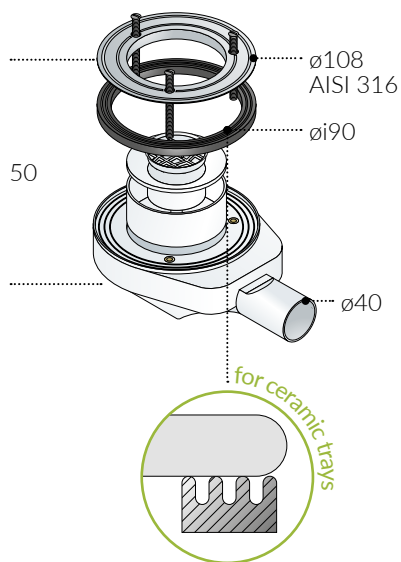
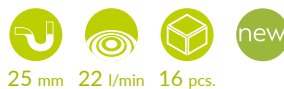
$\phi 108 \times \phi 40$

packaging

1xbox / 16 (B)

category

06





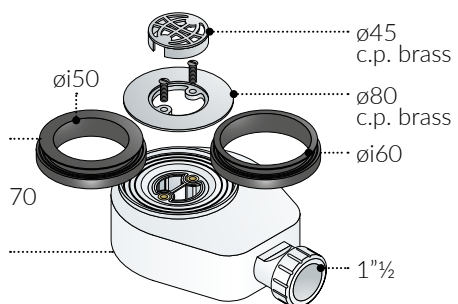
# 6461 Albireo

PP trapped waste for  $\phi 50/60$  holed tray,  
reduced encumbrance

### WARNING



Compatibility check required  
for shower trays with a  $\phi 50$  mm hole



### a. 6461.066.6

- c.p. brass grid  $\phi 45$
- c.p. brass flange  $\phi 80$
- lateral outlet  $1\frac{1}{2}$
- room under shower tray 70

size

$\phi 80 \times 1\frac{1}{2}$

packaging

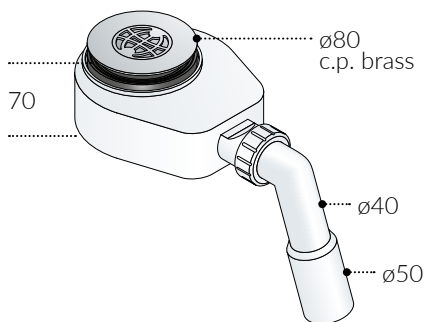
1×box / 16 (B)

category

06



35 mm 46 l/min 16 pcs.



### b. 6461.068.8

- c.p. brass grid  $\phi 45$
- c.p. brass flange  $\phi 80$
- lateral outlet  $1\frac{1}{2}$
- PP 45° bended outlet  $\phi 40/50$
- room under shower tray 70

size

$\phi 80 \times \phi 50$

packaging

1×box / 12 (B)

category

06



35 mm 46 l/min 12 pcs.

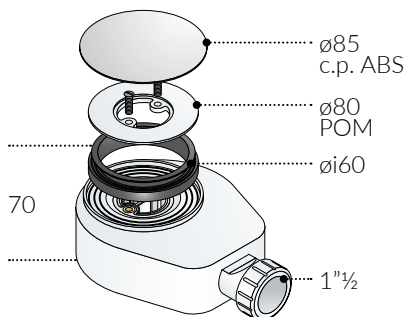


### SPARE PARTS / GRID



119.511.0

For more informations see page 262



### a. 6461.096.6

- c.p. ABS grid  $\phi 85$
- POM flange  $\phi 80$
- lateral outlet  $1\frac{1}{2}$
- room under shower tray 70

size

$\phi 85 \times 1\frac{1}{2}$

packaging

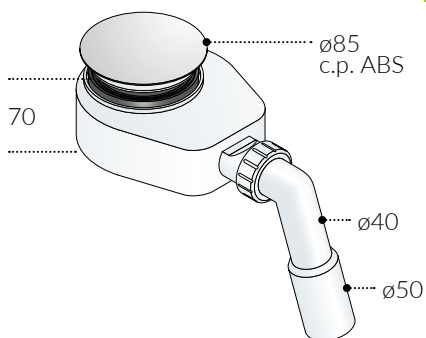
1×box / 16 (B)

category

06



35 mm 44 l/min 16 pcs.



### b. 6461.098.8

- c.p. ABS grid  $\phi 85$
- POM flange  $\phi 80$
- lateral outlet  $1\frac{1}{2}$
- PP 45° bended outlet  $\phi 40/50$
- room under shower tray 70

size

$\phi 85 \times \phi 50$

packaging

1×box / 12 (B)

category

06



35 mm 44 l/min 12 pcs.



### SPARE PARTS / GRID



119.525.0

For more informations see page 262

# 661

## Wei

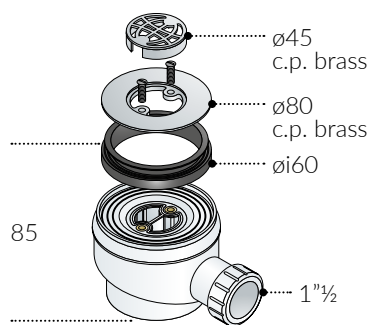
PP trapped waste for  $\phi 60$  holed tray,  
EN274 conform



### WARNING



Compatibility check required  
for shower trays with a  $\phi 50$  mm hole



### a. 661.066.6

- c.p. brass grid  $\phi 45$
- c.p. brass flange  $\phi 80$
- lateral outlet  $1\frac{1}{2}$
- room under shower tray 85

size

$\phi 80 \times 1\frac{1}{2}$

packaging

1x bag / 30 (B)

category

06



50 mm



41 l/min



30 pcs.



### SPARE PARTS / GRID



119.511.0

For more informations see page 262

### a. 661.096.6

- c.p. ABS grid  $\phi 85$
- POM flange  $\phi 80$
- lateral outlet  $1\frac{1}{2}$
- room under shower tray 85

size

$\phi 85 \times 1\frac{1}{2}$

packaging

1x bag / 30 (B)

category

06



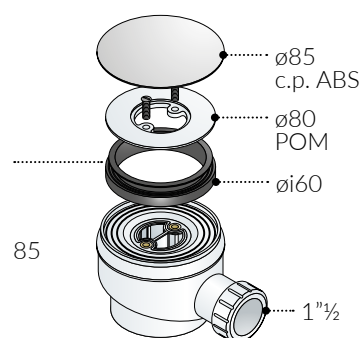
50 mm



39 l/min



30 pcs.



### SPARE PARTS / GRID



119.525.0

For more informations see page 262



461 + 261

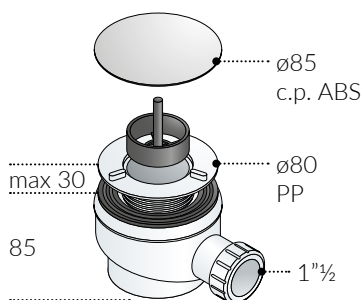
## Vega mini + Naos

PP trapped waste for  $\phi 60$  holed tray,  
EN274 conform

### WARNING



Compatibility check required  
for shower trays with a  $\phi 50$  mm hole



### a. 461.096.6

VEGA MINI

- c.p. ABS grid  $\phi 85$
- PP flange  $\phi 80$
- lateral outlet 1"½
- room under shower tray 85

size

$\phi 85 \times 1"½$

packaging

1×bag / 30 (B)

category

06



50 mm



39 l/min



30 pcs.

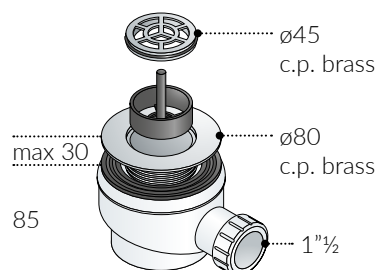


### SPARE PARTS / GRID



119.525.0

For more informations see page 262



### a. 261.066.6

NAOS

- c.p. brass grid  $\phi 45$
- c.p. brass flange  $\phi 80$
- lateral outlet 1"½
- room under shower tray 85

size

$\phi 80 \times 1"½$

packaging

1×bag / 30 (B)

category

06



50 mm



41 l/min



30 pcs.



### SPARE PARTS / GRID



119.410.0

For more informations see page 262

257

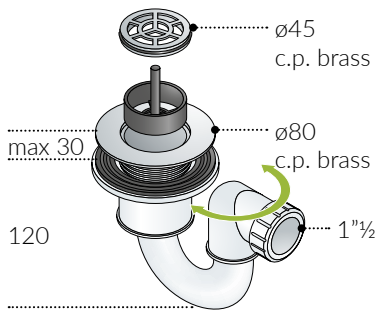
## Gienah

PP waste + trap set for  $\phi 60$  holed tray

## WARNING



Compatibility check required  
for shower trays with a  $\phi 50$  mm hole



## a. 257.066.6

- c.p. brass grid  $\phi 45$
- c.p. brass flange  $\phi 80$
- lateral outlet  $1\frac{1}{2}$
- room under shower tray 120
- adjustable outlet

size

 $\phi 80 \times 1\frac{1}{2}$ 

packaging

1x bag / 30 (B)

category

06



50 mm



35 l/min



30 pcs.



## b. 257.069.8

- c.p. brass grid  $\phi 45$
- c.p. brass flange  $\phi 80$
- PEHD lateral outlet  $\phi 40/50$
- room under shower tray 120
- adjustable outlet

size

 $\phi 80 \times \phi 50$ 

packaging

1x bag / 30 (C)

category

06



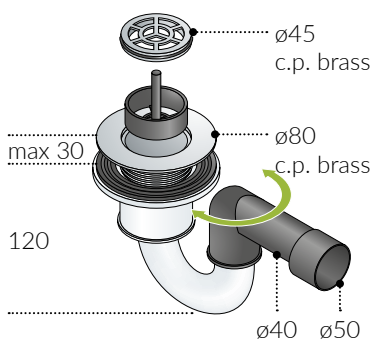
50 mm



38 l/min



30 pcs.



## SPARE PARTS / GRID



119.410.0

For more informations see page 262

254

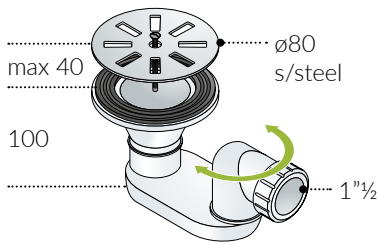
## Sadr P

PP waste + trap set for  $\phi 60$  holed tray

## WARNING



Compatibility check required  
for shower trays with a  $\phi 50$  mm hole



## a. 254.016.6

- s/steel plate  $\phi 80$
- lateral outlet 1"½
- room under shower tray 100
- adjustable outlet

size

 $\phi 80 \times 1"½$ 

packaging

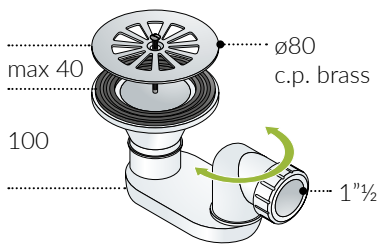
1×bag / 30 (B)

category

06



40 mm 32 l/min 30 pcs.



## b. 254.066.6

- c.p. brass plate  $\phi 80$
- lateral outlet 1"½
- room under shower tray 100
- adjustable outlet

size

 $\phi 80 \times 1"½$ 

packaging

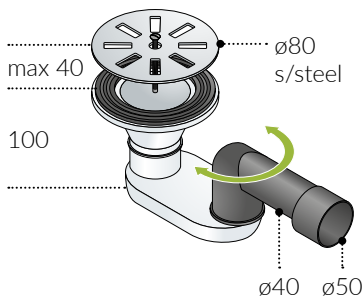
1×bag / 30 (B)

category

06



40 mm 32 l/min 30 pcs.



## a. 254.019.8

- s/steel plate  $\phi 80$
- lateral outlet 1"½
- PEHD lateral outlet  $\phi 40/50$
- room under shower tray 100
- adjustable outlet

size

 $\phi 80 \times \phi 50$ 

packaging

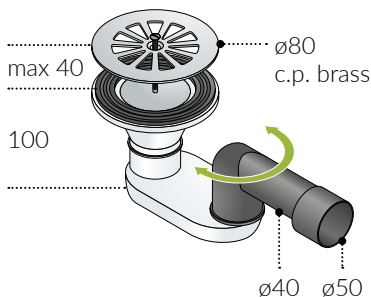
1×bag / 30 (C)

category

06



40 mm 32 l/min 30 pcs.



## b. 254.069.8

- c.p. brass plate  $\phi 80$
- lateral outlet 1"½
- PEHD lateral outlet  $\phi 40/50$
- room under shower tray 100
- adjustable outlet

size

 $\phi 80 \times \phi 50$ 

packaging

1×bag / 30 (C)

category

06



40 mm 32 l/min 30 pcs.



256

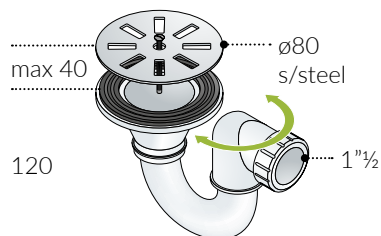
## Sadr S

PP waste + trap set for  $\phi 60$  holed tray

## WARNING



Compatibility check required  
for shower trays with a  $\phi 50$  mm hole



## a. 256.016.6

- s/steel plate  $\phi 80$
- lateral outlet  $1\frac{1}{2}$
- room under shower tray 120
- adjustable outlet

size

 $\phi 80 \times 1\frac{1}{2}$ 

packaging

1x bag / 30 (B)

category

06



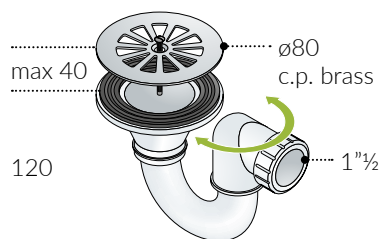
50 mm



32 l/min



30 pcs.



## b. 256.066.6

- c.p. brass plate  $\phi 80$
- lateral outlet  $1\frac{1}{2}$
- room under shower tray 120
- adjustable outlet

size

 $\phi 80 \times 1\frac{1}{2}$ 

packaging

1x bag / 30 (B)

category

06



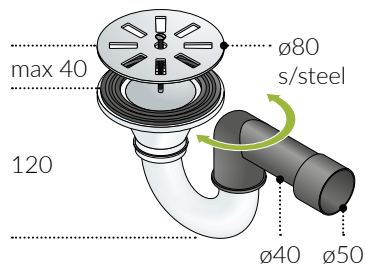
50 mm



32 l/min



30 pcs.



## a. 256.019.8

- s/steel plate  $\phi 80$
- lateral outlet  $1\frac{1}{2}$
- PEHD lateral outlet  $\phi 40/50$
- room under shower tray 120
- adjustable outlet

size

 $\phi 80 \times \phi 50$ 

packaging

1x bag / 30 (C)

category

06



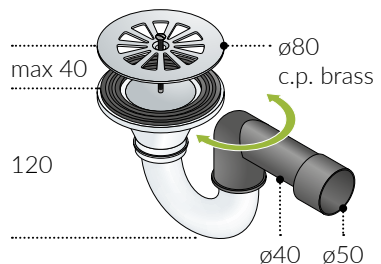
50 mm



32 l/min



30 pcs.



## b. 256.069.8

- c.p. brass plate  $\phi 80$
- lateral outlet  $1\frac{1}{2}$
- PEHD lateral outlet  $\phi 40/50$
- room under shower tray 120
- adjustable outlet

size

 $\phi 80 \times \phi 50$ 

packaging

1x bag / 30 (C)

category

06



50 mm



32 l/min

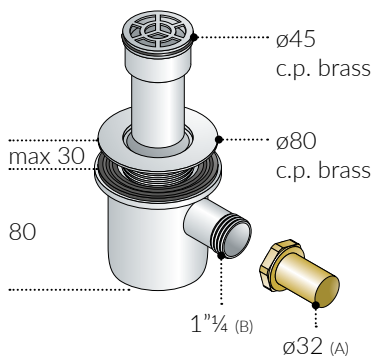


30 pcs.



# brass and plastic wastes

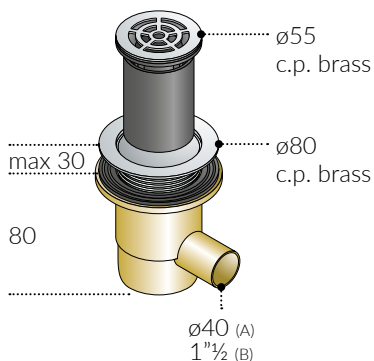
for  $\phi 60$  holed tray



a.	61.067.5	size	packaging	category
	<b>Brass trapped waste</b>	$\phi 80 \times \phi 32$	1×box / 15 (T)	15
	<ul style="list-style-type: none"> <li>- c.p. brass grid <math>\phi 45</math></li> <li>- c.p. brass flange <math>\phi 80</math></li> <li>- lateral outlet <math>1\frac{1}{4}</math></li> <li>- with tailpiece <math>\phi 32</math> brass</li> <li>- room under shower tray 80</li> </ul>			

b.	61.065.5	size	packaging	category
	<b>Brass trapped waste</b>	$\phi 80 \times 1\frac{1}{4}$	1×box / 15 (T)	15
	<ul style="list-style-type: none"> <li>- c.p. brass grid <math>\phi 45</math></li> <li>- c.p. brass flange <math>\phi 80</math></li> <li>- lateral outlet <math>1\frac{1}{4}</math></li> <li>- without nut nor tailpiece</li> <li>- room under shower tray 80</li> </ul>			

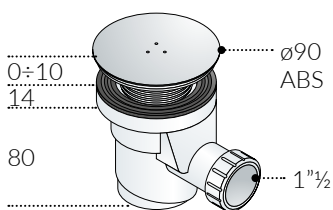
SPARE PARTS / GRID 119.510.0



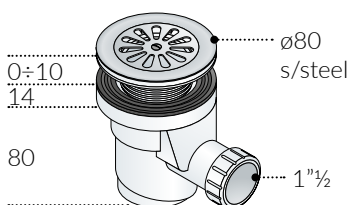
a.	361.069.6	size	packaging	category
	<b>Brass trapped waste</b>	$\phi 80 \times \phi 40$	1×box / 15 (T)	15
	<ul style="list-style-type: none"> <li>- c.p. brass grid <math>\phi 55</math></li> <li>- c.p. brass flange <math>\phi 80</math></li> <li>- slick lateral outlet <math>\phi 40</math></li> <li>- room under shower tray 80</li> </ul>			

b.	361.066.6	size	packaging	category
	<b>Brass trapped waste</b>	$\phi 80 \times 1\frac{1}{2}$	1×box / 15 (T)	15
	<ul style="list-style-type: none"> <li>- c.p. brass grid <math>\phi 55</math></li> <li>- c.p. brass flange <math>\phi 80</math></li> <li>- lateral outlet <math>1\frac{1}{2}</math></li> <li>- with nut without tailpiece</li> <li>- room under shower tray 80</li> </ul>			

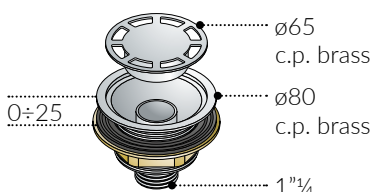
SPARE PARTS / GRID 119.910.0



a.	245.096.6	size	packaging	category
	<b>ABS trapped waste</b>	$\phi 90 \times 1\frac{1}{2}$	1×bag / 30 (W)	06
	<ul style="list-style-type: none"> <li>- s/steel coated ABS grid <math>\phi 90</math></li> <li>- ABS flange <math>\phi 80</math></li> <li>- lateral outlet <math>1\frac{1}{2}</math></li> <li>- room under shower tray 80</li> </ul>			

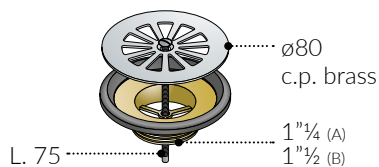


b.	245.016.6	size	packaging	category
	<b>ABS trapped waste</b>	$\phi 80 \times 1\frac{1}{2}$	1×bag / 30 (W)	06
	<ul style="list-style-type: none"> <li>- s/steel grid <math>\phi 80</math></li> <li>- ABS flange <math>\phi 80</math></li> <li>- lateral outlet <math>1\frac{1}{2}</math></li> <li>- room under shower tray 80</li> </ul>			



a.	58.065.5	size	packaging	category
	<b>C.p. brass trapped waste</b>	$\phi 80 \times 1\frac{1}{4}$	2×box / 30 (T)	15
	<ul style="list-style-type: none"> <li>- c.p. brass grid <math>\phi 65</math></li> <li>- c.p. brass flange <math>\phi 80</math></li> <li>- vertical outlet <math>1\frac{1}{4}</math></li> </ul>			

SPARE PARTS / GRID 119.310.0



**a. 55.165.5** size packaging category

- Brass grated waste**
- c.p. brass grid  $\phi 80$
  - outlet  $1\frac{1}{4}$
  - screw L. 75

$\phi 80 \times 1\frac{1}{4}$

10×box / 50 (T)

15



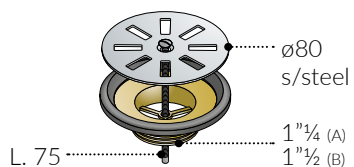
**b. 55.165.6** size packaging category

- c.p. brass grid  $\phi 80$
- outlet  $1\frac{1}{2}$
- screw L. 75

$\phi 80 \times 1\frac{1}{2}$

10×box / 50 (T)

15



**a. 55.665.5** size packaging category

- Brass grated waste**
- s/steel grid  $\phi 80$
  - outlet  $1\frac{1}{4}$
  - screw L. 75

$\phi 80 \times 1\frac{1}{4}$

10×box / 50 (T)

15



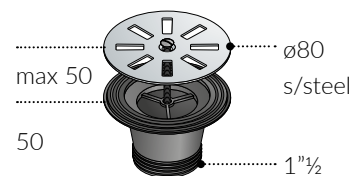
**b. 55.665.6** size packaging category

- s/steel grid  $\phi 80$
- outlet  $1\frac{1}{2}$
- screw L. 75

$\phi 80 \times 1\frac{1}{2}$

10×box / 50 (T)

15



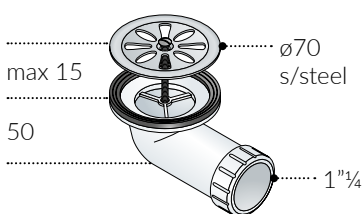
**a. 255.665.6** size packaging category

- PP grated waste**
- s/steel grid  $\phi 80$
  - outlet  $1\frac{1}{2}$
  - screw L. 75

$\phi 80 \times 1\frac{1}{2}$

1×bag / 60 (W)

06



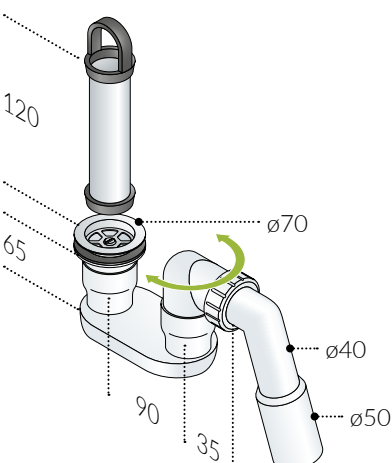
**a. 255.670.5** size packaging category

- PP grated waste**
- s/steel grid  $\phi 70$
  - lateral outlet  $1\frac{1}{4}$
  - screw L. 35

$\phi 70 \times 1\frac{1}{4}$

1×bag / 30 (W)

06



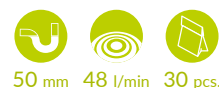
**a. 2152.451.6** size packaging category

- PP stand pipe waste**
- c.p. brass stand pipe H. 120
  - s/steel plate  $\phi 70$
  - with adjustable trap
  - with PP 45° bended outlet  $\phi 40/50$

$\phi 70 \times \phi 50$

1×bag / 30 (Q)

06



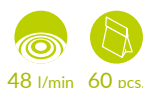
**b. 2142.400.6** size packaging category

- c.p. brass stand pipe H. 120
- s/steel plate  $\phi 70$
- without trap

$\phi 70 \times 1\frac{1}{2}$

1×bag / 60 (B)

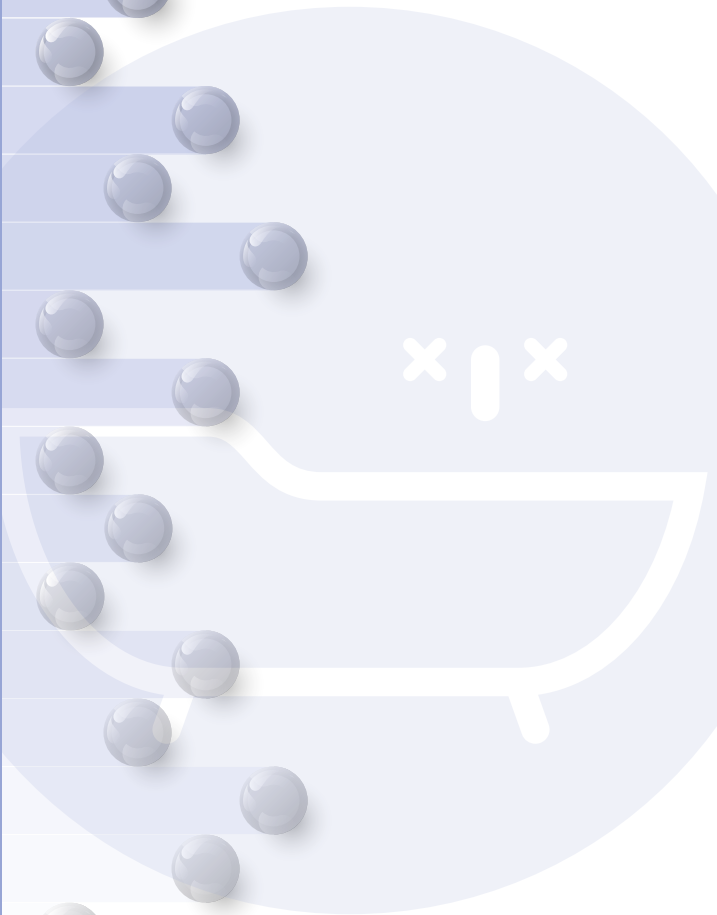
06





## Bathtub

- Clicker vasca brass
- Clicker vasca
- other brass pop-up wastes
- Leonessa brass
- Leonessa
- Leonessa hotellerie
- chrome plated brass waste new
- for sight installations
- other PP wastes
- other brass wastes and traps
- plastic traps



for the sanitary ware image, special thanks to  
**technova**

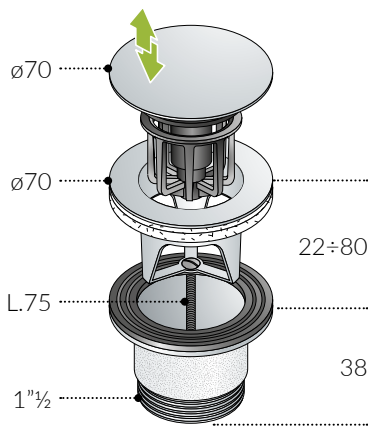


04

# 8334 + 8568

## Clicker vasca brass

brass automatic wastes for bathtub



### a. 8334.060.6

- without overflow
- $\phi 70$  c.p. brass plug
- H. 45 waste
- H. 40 x 1 1/2 counter nut in nickel-plated raw brass
- screw L. 75
- suitable also for bathtub with integrated overflow

size

$\phi 70 \times 1 \frac{1}{2}$

packaging

1xbox / 15 (T)

category

15



#### OTHER FINISHING AVAILABLE

**matt black**

8334.060.6.X

**matt white**

8334.060.6.XD

**polished gold**

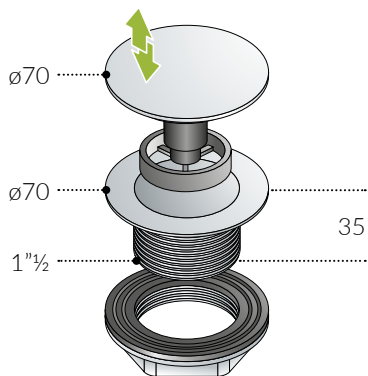
8334.060.6.3

**brushed nickel**

-

**brushed bronze**

8334.060.6.6



### a. 8568.060.6

- without overflow
- $\phi 70$  c.p. brass plug
- H. 35 x 1 1/2 threaded shaft
- nickel-plated raw brass through-counter nut

size

$\phi 70 \times 1 \frac{1}{2}$

packaging

1xbox / 15 (I)

category

15

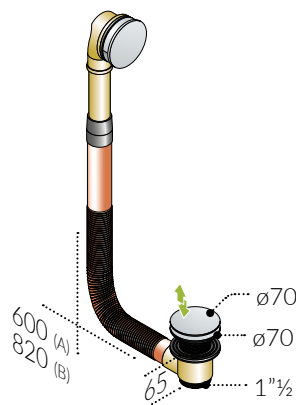


#### SPARE PARTS / PLUG



**137.039.0**

For more informations see page 263



### a. 8568.160.6

- with overflow
- copper flexible connect. L. 600
- $\phi 70$  c.p. brass plug
- c.p. brass overflow cover
- outlet 1 1/2

size

$\phi 70 \times 1 \frac{1}{2}$

packaging

1xbox / 20 (Q)

category

15



### b. 8568.170.6

- with overflow
- copper flexible connect. L. 820
- $\phi 70$  c.p. brass plug
- c.p. brass overflow cover
- outlet 1 1/2

size

$\phi 70 \times 1 \frac{1}{2}$

packaging

1xbox / 20 (Q)

category

15



#### SPARE PARTS / PLUG



**137.039.0**

For more informations see page 263

# 2868 + 2870

## Clicker vasca

PP automatic waste for bathtub



### a. 2868.660.6

- flexible connection L. 700
- $\phi 70$  c.p. brass plug
- c.p. brass overflow cover
- outlet  $1\frac{1}{2}$ "

size

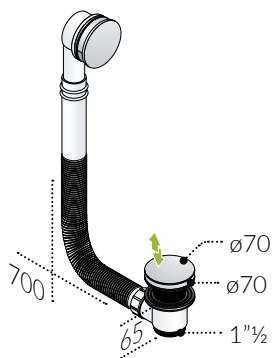
$\phi 70 \times 1\frac{1}{2}$ "

packaging

1xbox / 15 (Q)

category

09



#### OTHER FINISHING AVAILABLE

**matt black**

2868.660.6.X

**matt white**

2868.660.6.XD

**polished gold**

-

**brushed nickel**

-

**brushed bronze**

-

### a. 2868.960.6

- rigid connection 190x450
- $\phi 70$  c.p. brass plug
- c.p. brass overflow cover
- outlet  $1\frac{1}{2}$ "

size

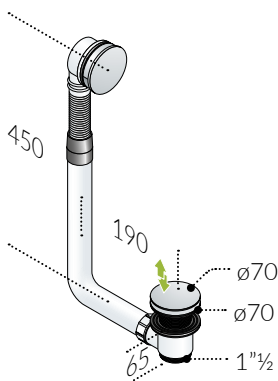
$\phi 70 \times 1\frac{1}{2}$ "

packaging

1xbox / 15 (Q)

category

09



### a. 2870.963.8

- rigid connection 190x450
- $\phi 70$  c.p. brass plug
- c.p. brass overflow cover
- outlet  $1\frac{1}{2}$ "
- with adjustable trap
- PP 45° bended outlet  $\phi 40/50$

size

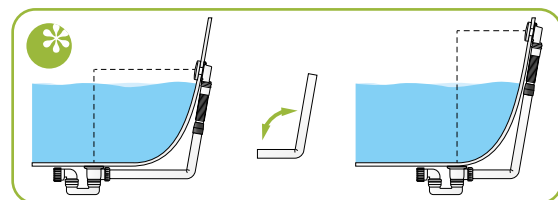
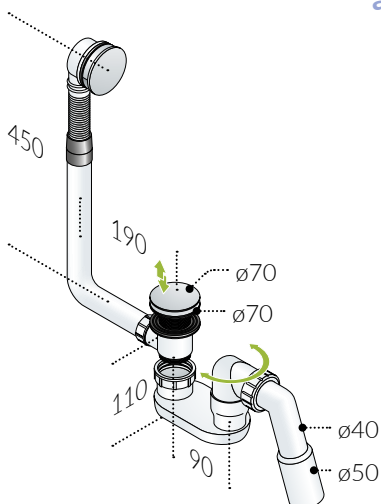
$\phi 70 \times \phi 50$

packaging

1xbox / 10 (C)

category

09



SPARE PARTS / PLUG



137.039.0

For more informations see page 263

399

...

brass pop-up waste for bathtub



**a. 399.360.6**

- flexible connect. L. 550 copper
- $\varnothing 45$  c.p. brass plug
- c.p. metal handle
- s/steel cable
- outlet  $1\frac{1}{2}$

size

$\varnothing 70 \times 1\frac{1}{2}$

packaging

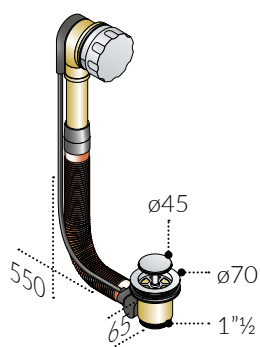
1xbox / 10 (K)

category

15



63 l/min 30 l/min 10 pcs.



**b. 399.370.6**

- flexible connect. L. 680 copper
- $\varnothing 45$  c.p. brass plug
- c.p. metal handle
- s/steel cable
- outlet  $1\frac{1}{2}$

size

$\varnothing 70 \times 1\frac{1}{2}$

packaging

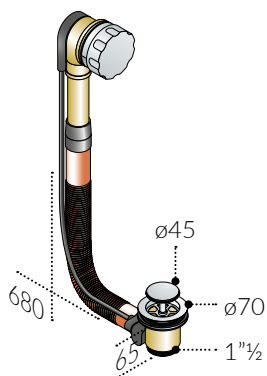
1xbox / 10 (K)

category

15



63 l/min 30 l/min 10 pcs.



SPARE PARTS



PLUG  
HANDLE

137.063.0  
137.043.0

595

Leonessa brass

brass pop-up waste for bathtub



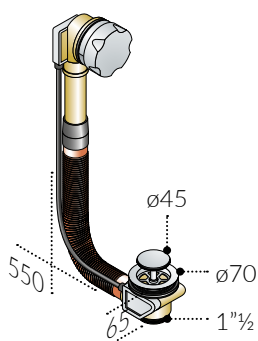
**a. 595.160.6** size packaging category

- flexible connect. L. 550 copper
- ø45 c.p. brass plug
- c.p. metal handle
- s/steel cable L. 550
- outlet 1 1/2"

ø70 × 1 1/2"

1×box / 10 (S)  
60 l/min 39 l/min

10 pcs.  
15



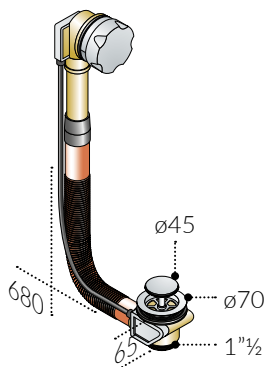
**b. 595.170.6** size packaging category

- flexible connect. L. 680 copper
- ø45 c.p. brass plug
- c.p. metal handle
- s/steel cable L. 650
- outlet 1 1/2"

ø70 × 1 1/2"

1×box / 10 (S)  
60 l/min 39 l/min

10 pcs.  
15



SPARE PARTS

PLUG 137.061.0  
HANDLE 137.044.0

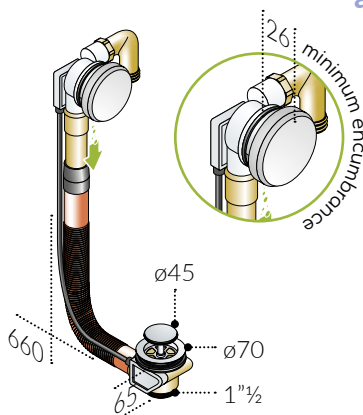
**a. 595.180.6** size packaging category

- with water distribution to the overflow
- flexible connect. L. 660 copper
- ø45 c.p. brass plug
- c.p. ABS handle
- s/steel cable L. 650
- outlet 1 1/2"

ø70 × 1 1/2"

1×box / 5 (B)  
60 l/min 42 l/min

10 pcs.  
15



SPARE PARTS

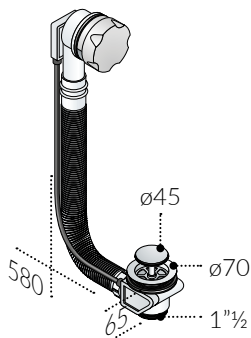
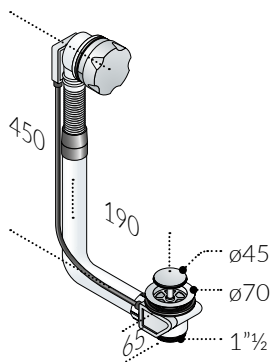
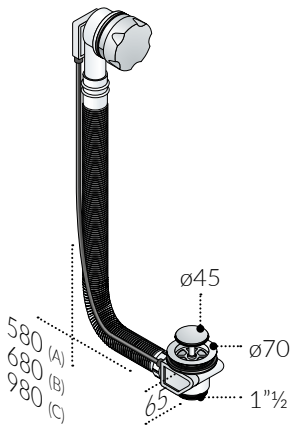
PLUG 137.061.0  
HANDLE 137.047.0



295

# Leonessa

PP pop-up waste for bathtub



**a. 295.660.6** size packaging category

- flexible connection L. 580
- ø45 c.p. brass plug
- c.p. metal handle
- s/steel cable L. 550
- outlet 1 1/2"

ø70 × 1 1/2"  
62 l/min 36 l/min

packaging  
1×box / 10 (Q)



10 pcs.

category

09



**b. 295.670.6** size packaging category

- flexible connection L. 680
- ø45 c.p. brass plug
- c.p. metal handle
- s/steel cable L. 650
- outlet 1 1/2"

ø70 × 1 1/2"  
62 l/min 36 l/min

packaging  
1×box / 10 (Q)



10 pcs.

category

09



**c. 295.620.6** size packaging category

- flexible connection L. 980
- ø45 c.p. brass plug
- c.p. metal handle
- s/steel cable L. 980
- outlet 1 1/2"

ø70 × 1 1/2"  
62 l/min 36 l/min

packaging  
1×box / 10 (Q)



10 pcs.

category

09



**a. 295.160.6** size packaging category

- rigid connection 190×450
- ø45 c.p. brass plug
- c.p. metal handle
- s/steel cable L. 550
- outlet 1 1/2"

ø70 × 1 1/2"  
62 l/min 36 l/min

packaging  
1×box / 10 (Q)



10 pcs.

category

09



SPARE PARTS

PLUG  
HANDLE

137.061.0  
137.044.0

**a. 295.360.6** size packaging category

- flexible connection L. 580
- ø45 c.p. brass plug
- c.p. ABS handle
- s/steel cable L. 550
- outlet 1 1/2"

ø70 × 1 1/2"  
62 l/min 36 l/min

packaging  
1×box / 10 (Q)



10 pcs.

category

09



SPARE PARTS

PLUG  
HANDLE

137.061.0  
137.051.0

# 301 + 491

## Leonessa

PP pop-up waste with trap for bathtub



### a. 301.161.8

- rigid connection 190x450
- ø45 c.p. brass plug
- c.p. metal handle
- s/steel cable L. 550
- with adjustable trap (pre-assembled)
- PP 45° bended outlet ø40/50

size

ø70 × ø50

packaging

1×box / 10 (Q)

category

09



50 mm



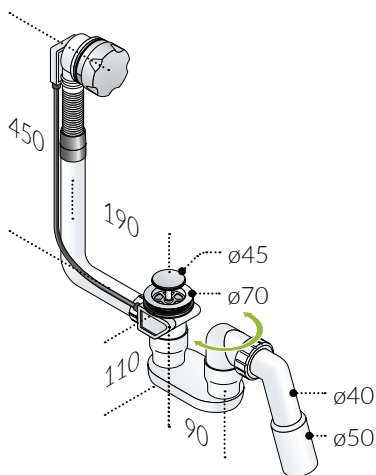
55 l/min



36 l/min



10 pcs.



#### SPARE PARTS



PLUG  
HANDLE

137.061.0

137.044.0

### a. 491.061.8

- with water distribution to the overflow
- rigid connection 190x450
- ø45 c.p. brass plug
- c.p. ABS handle
- s/steel cable L. 750
- with adjustable trap (pre-assembled)
- PP 45° bended outlet ø40/50

size

ø70 × ø50

packaging

1×box / 10 (Q)

category

09



50 mm



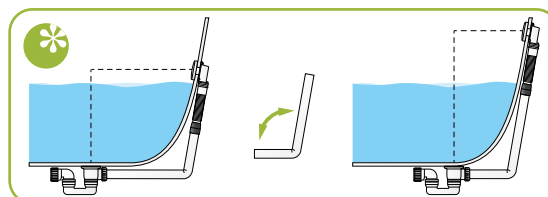
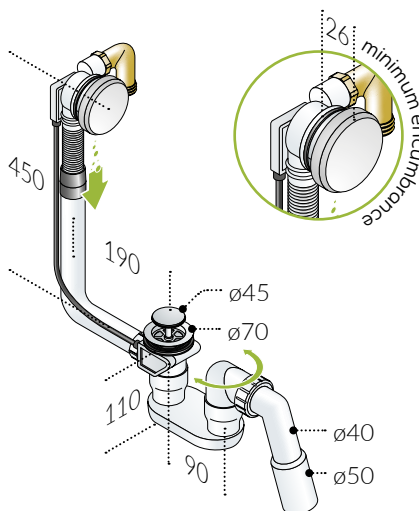
51 l/min



42 l/min



5 pcs.



#### SPARE PARTS



PLUG  
HANDLE

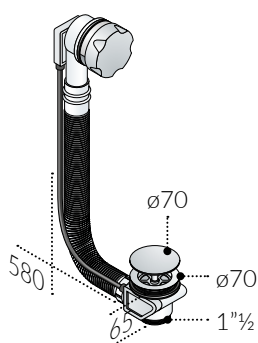
137.061.0

137.047.0

8295 + 8301 + 8491

Leonessa hotellerie

PP pop-up waste for bathtub with bigger covering plug



**a. 8295.660.6**

- flexible connection L. 580
- $\varnothing 70$  c.p. brass plug
- c.p. metal handle
- s/steel cable
- outlet  $1\frac{1}{2}$ "

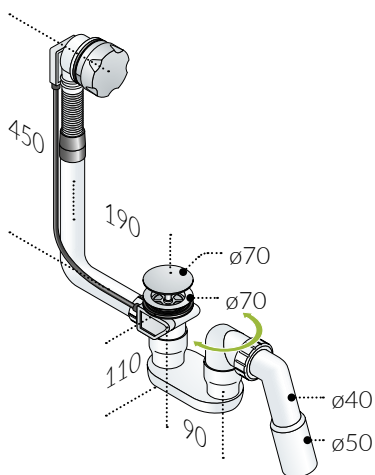
size packaging category

$\varnothing 70 \times 1\frac{1}{2}$ " 1xbox / 10 (Q) 09



SPARE PARTS

PLUG 137.052.0  
HANDLE 137.044.0

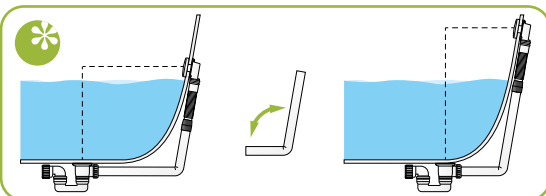


**a. 8301.161.8**

- rigid connection 190x450
- $\varnothing 70$  c.p. brass plug
- c.p. metal handle
- s/steel cable
- with adjustable trap (pre-assembled)
- PP 45° bended outlet  $\varnothing 40/50$

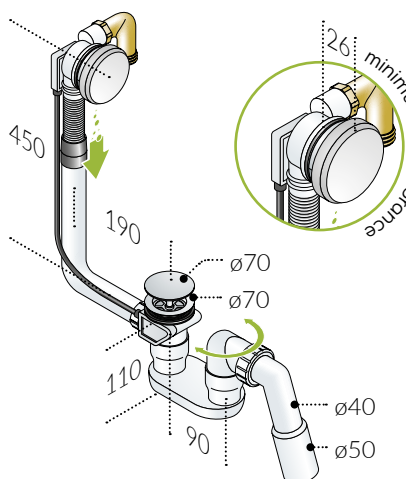
size packaging category

$\varnothing 70 \times \varnothing 50$  1xbox / 10 (Q) 09



SPARE PARTS

PLUG 137.052.0  
HANDLE 137.044.0

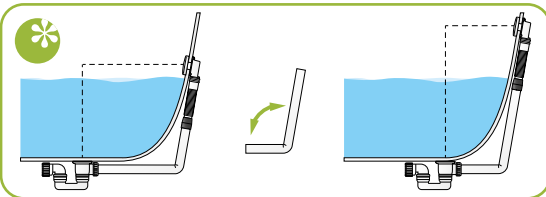


**a. 8491.061.8**

- with water distribution to the overflow
- rigid connection 190x450
- $\varnothing 70$  c.p. brass plug
- c.p. ABS handle
- s/steel cable
- with adjustable trap (pre-assembled)
- PP 45° bended outlet  $\varnothing 40/50$

size packaging category

$\varnothing 70 \times \varnothing 50$  1xbox / 10 (Q) 09



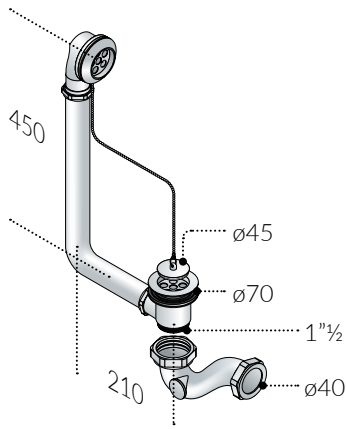
SPARE PARTS

PLUG 137.052.0  
HANDLE 137.047.0

891

new

...  
chrome plated brass waste for bathtub  
for sight installations



a. 891.160.6.K

- rigid connection 210x450 in c.p. brass
- plug with ballchain L. 450 (ø45 in c.p. brass)
- c.p. brass overflow grid
- with adjustable trap in c.p. brass
- outlet ø40

size

ø70 × ø40

packaging

1×box / 8 (A)

category

15



22 mm



45 l/min



22 l/min



10 pcs.

new



OTHER FINISHING AVAILABLE

matt black

-

matt white

-

polished gold

891.160.6.3

brushed nickel

-

brushed bronze

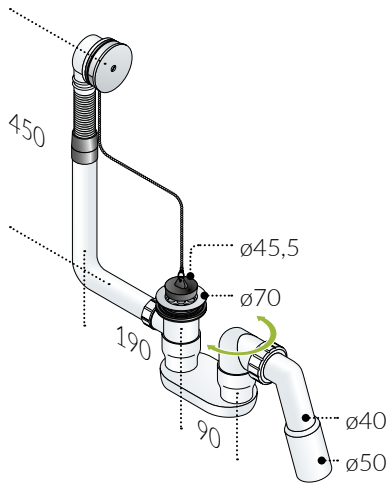
891.160.6.6



312 + 289 + 298

## other PP wastes

wastes with plug with chain for bathtub



### a. 312.601.8

- rigid connection 190x450
- plug with ballchain L. 450 (ø45,5)
- s/steel overflow grid
- with adjustable trap (pre-assembled)
- PP 45° bended outlet ø40/50

size

ø70 × ø50

packaging

1×box / 10 (C)

category

09



50 mm



59 l/min



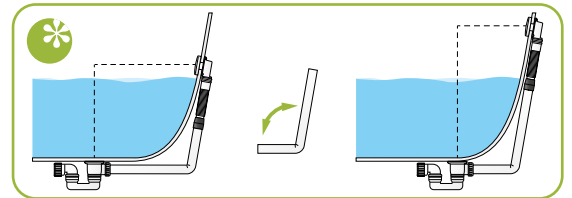
36 l/min



10 pcs.



10 pcs.

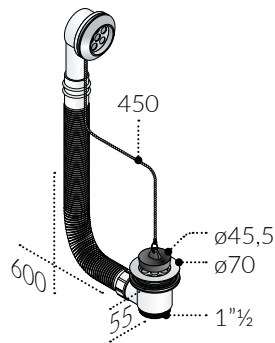


SPARE PARTS / PLUG



120.113.6

For more informations see page 263



### a. 298.820.6

- flexible connection L. 600
- plug with ballchain L. 450 (ø45,5)
- s/steel overflow grid
- outlet 1 1/2"

size

ø70 × 1 1/2"

packaging

1×bag / 30 (C)

category

09



48 l/min



22 l/min



30 pcs.

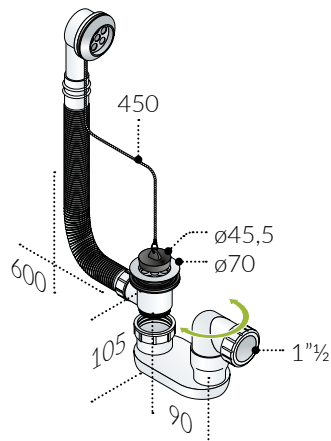


SPARE PARTS / PLUG



120.113.6

For more informations see page 263



### a. 289.820.6

- flexible connection L. 600
- plug with ballchain L. 450 (ø45,5)
- s/steel overflow grid
- with adjustable trap without tailpiece
- outlet 1 1/2"

size

ø70 × ø50

packaging

1×bag / 30 (C)

category

09



50 mm



59 l/min



36 l/min



10 pcs.



10 pcs.



SPARE PARTS / PLUG



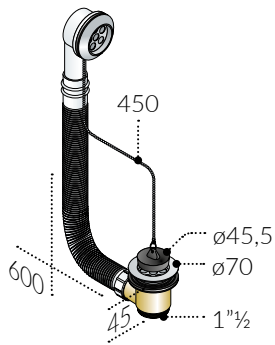
120.113.6

For more informations see page 263

98 + 88

## other brass wastes and traps

wastes with plug with chain for bathtub and traps



**a. 98.820.6** size packaging category

- Brass waste for bathtub
- PP flexible connection L. 600
- plug with ballchain L. 450 (ø45,5)
- s/steel overflow grid
- outlet 1½"

ø70 × 1½" 1×box / 30 (C)

15



**b. 98.820.5** size packaging category

- PP flexible connection L. 600
- plug with ballchain L. 450 (ø45,5)
- s/steel overflow grid
- outlet 1¼"

ø70 × 1½" 1×box / 30 (C)

15



SPARE PARTS / PLUG

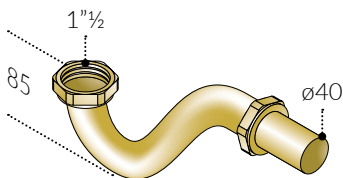
**120.113.6**  
For more informations see page 263

**a. 88.405.6.0** size packaging category

- Raw brass trap for bathtub
- inlet 1½" (brass nut)
- outlet 1½" (brass nut)
- with brass tailpiece ø40 L. 50
- encumbrance H. 85

1½" × ø40 3×box / 36 (B)

02

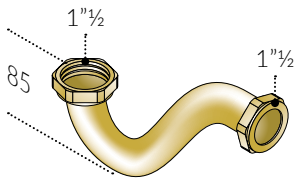


**b. 88.409.6.0** size packaging category

- inlet 1½" (brass nut)
- outlet 1½" (brass nut)
- without tailpiece
- encumbrance H. 85

1½" × 1½" 1×bag / 15 (T)

02

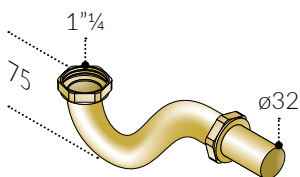
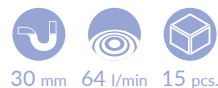


**a. 88.405.5.0** size packaging category

- inlet 1¼" (brass nut)
- outlet 1¼" (brass nut)
- with brass tailpiece ø32 L. 50
- encumbrance H. 75

1¼" × ø32 5×box / 60 (B)

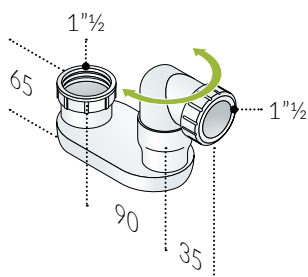
02



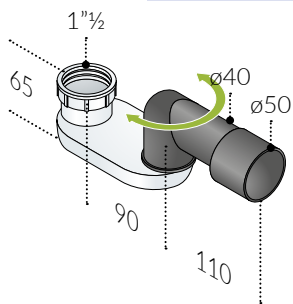
# 290 + 3290

## reduced encumbrance traps

for bathtub, in PP and PEHD



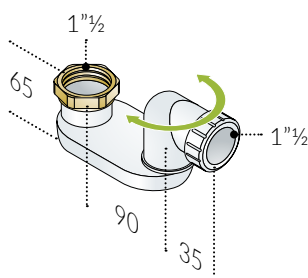
a.	290.007.6	size	packaging	category
-	in PP	1 1/2 × 1 1/2	1×bag / 30 (B)	03
-	inlet 1 1/2 (PP nut)			
-	outlet 1 1/2 (PP nut)	50 mm	52 l/min	30 pcs.
-	adjustable			
-	encumbrance H. 65			



b.	290.000.8	size	packaging	category
-	in PP	1 1/2 × ø50	1×bag / 30 (B)	03
-	inlet 1 1/2 (PP nut)			
-	outlet ø40/50 in PEHD	40 mm	65 l/min	30 pcs.
-	adjustable			
-	encumbrance H. 65			



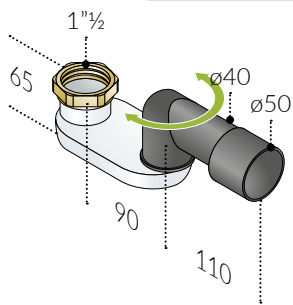
PEHD outlet to be soldered with PE pipes



a.	290.407.6	size	packaging	category
-	in PP	1 1/2 × 1 1/2	1×bag / 30 (B)	03
-	inlet 1 1/2 (brass nut)			
-	outlet 1 1/2 (PP nut)	40 mm	52 l/min	30 pcs.
-	adjustable			
-	encumbrance H. 65			



Brass nut is recommended with brass wastes

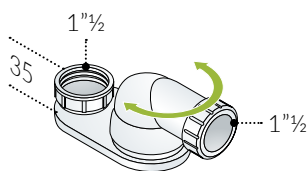


b.	290.400.8	size	packaging	category
-	in PP	1 1/2 × ø50	1×bag / 30 (B)	03
-	inlet 1 1/2 (brass nut)			
-	outlet ø40/50 in PEHD	40 mm	65 l/min	30 pcs.
-	adjustable			
-	encumbrance H. 65			

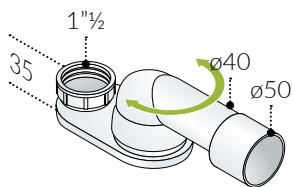


PEHD outlet to be soldered with PE pipes

Brass nut is recommended with brass wastes

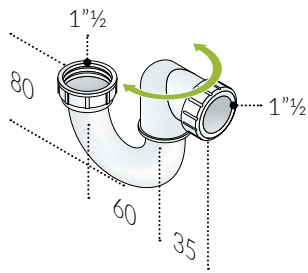


a.	3290.007.6	size	packaging	category
-	in PEHD	1 1/2 × 1 1/2	1×bag / 30 (B)	03
-	inlet 1 1/2 (PEHD nut)			
-	outlet 1 1/2 (PEHD nut)	35 mm	56 l/min	30 pcs.
-	adjustable			
-	encumbrance H. 35			



b.	3290.000.8	size	packaging	category
-	in PEHD	1 1/2 × ø50	1×bag / 30 (B)	03
-	inlet 1 1/2 (PEHD nut)			
-	outlet ø40/50 in PEHD	35 mm	56 l/min	30 pcs.
-	adjustable			
-	encumbrance H. 35			





## a. 293.007.6

- in PP
- inlet 1 1/2 (PP nut)
- outlet 1 1/2 (PP nut)
- adjustable
- encumbrance H. 80

size

1 1/2 x 1 1/2

packaging

1x bag / 30 (B)

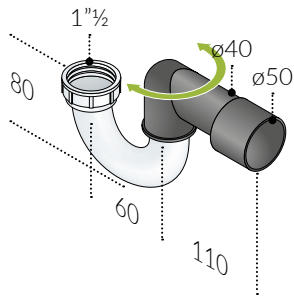
category

03



50 mm 52 l/min

30 pcs.



## a. 293.000.8

- in PP
- inlet 1 1/2 (PP nut)
- outlet  $\phi 40/50$  in PEHD
- adjustable
- encumbrance H. 80

size

1 1/2 x  $\phi 50$ 

packaging

1x bag / 30 (B)

category

03

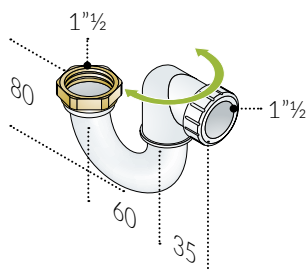


50 mm 64 l/min

30 pcs.



\* PEHD outlet to be soldered with PE pipes



## a. 293.407.6

- in PP
- inlet 1 1/2 (brass nut)
- outlet 1 1/2 (PP nut)
- adjustable
- encumbrance H. 80

size

1 1/2 x 1 1/2

packaging

1x bag / 30 (B)

category

03

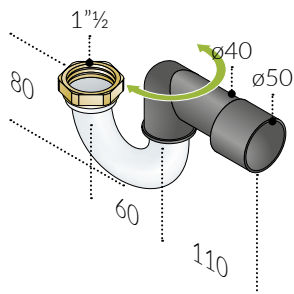


50 mm 52 l/min

30 pcs.



\* Brass nut is recommended with brass wastes



## a. 293.400.8

- in PP
- inlet 1 1/2 (brass nut)
- outlet  $\phi 40/50$  in PEHD
- adjustable
- encumbrance H. 80

size

1 1/2 x  $\phi 50$ 

packaging

1x bag / 30 (B)

category

03



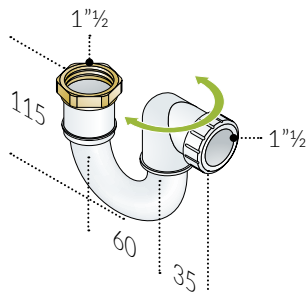
50 mm 64 l/min

30 pcs.



\* PEHD outlet to be soldered with PE pipes

\* Brass nut is recommended with brass wastes



## a. 293.907.6

- in PP
- with higher inlet pipe
- inlet 1 1/2 (brass nut)
- outlet 1 1/2 (PP nut)
- adjustable
- encumbrance H. 115

size

1 1/2 x 1 1/2

packaging

1x bag / 15 (T)

category

03

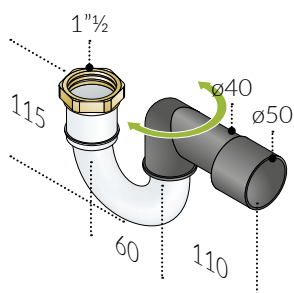


50 mm 52 l/min

15 pcs.



\* Brass nut is recommended with brass wastes



## a. 293.900.8

- in PP
- with higher inlet pipe
- inlet 1 1/2 (brass nut)
- outlet  $\phi 40/50$  in PEHD
- adjustable
- encumbrance H. 115

size

1 1/2 x  $\phi 50$ 

packaging

1x bag / 15 (T)

category

03



50 mm 64 l/min

15 pcs.



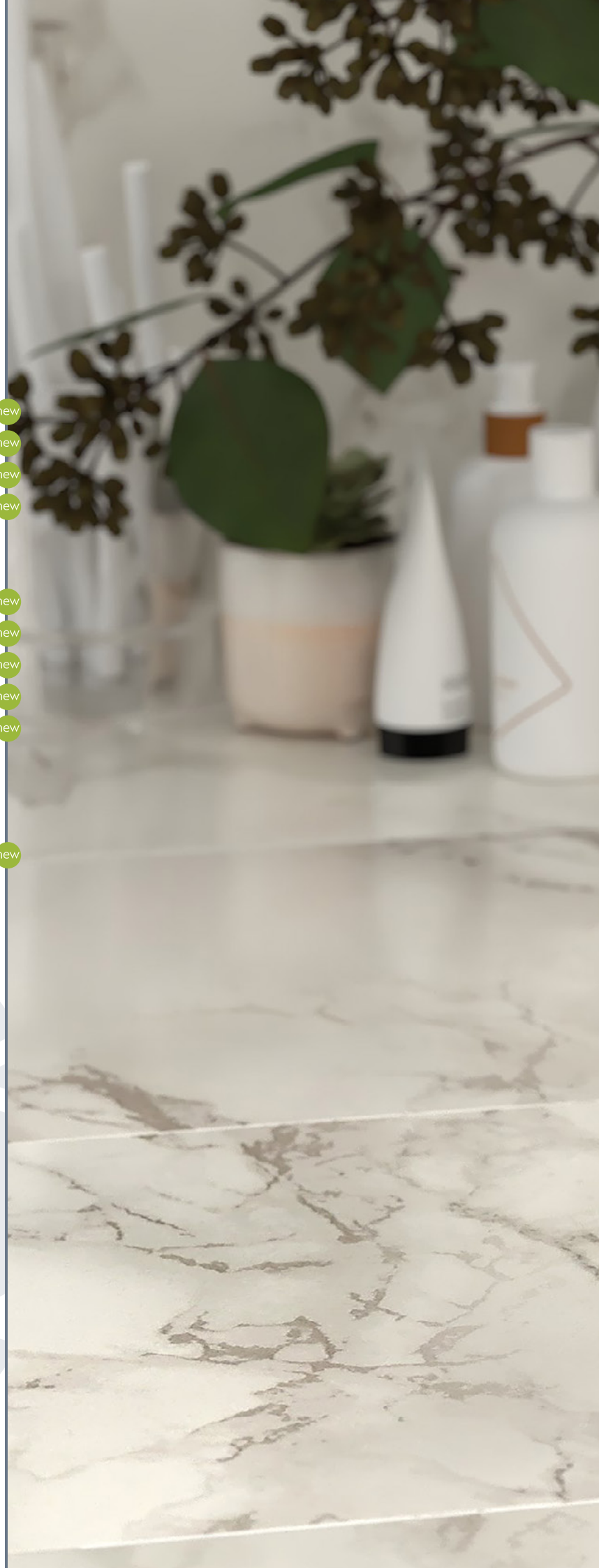
\* PEHD outlet to be soldered with PE pipes

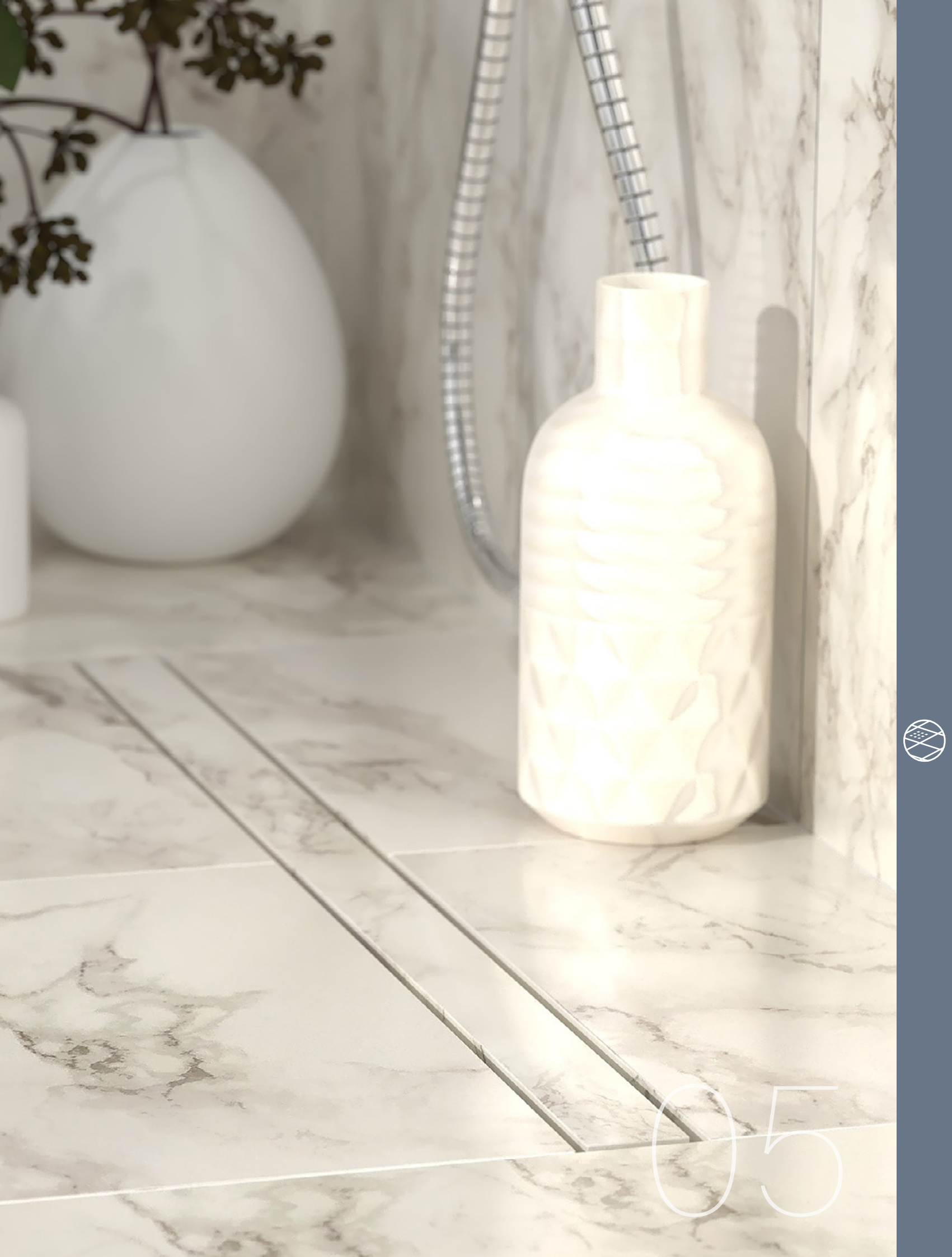
\* Brass nut is recommended with brass wastes



## Floor drain

- Deflow -
- Sumisura -
- Esseflow -
- Nanoflow -
- Renova -
- Nanoflow unseen - new
- Esseflow unseen - new
- Renova unseen - new
- Emyflow - new
- Miniflow -
- Basicflow -
- Renova eko - new
- Intramura - new
- Odessa - new
- Tirana unseen - new
- Tirana evo - new
- No limits V -
- Tirana -
- Kuala Lumpur + Manila -
- Kalamáta - new
- brass trapped floor drains -
- plastic trapped floor drains -
- Minnie -
- 4-In -



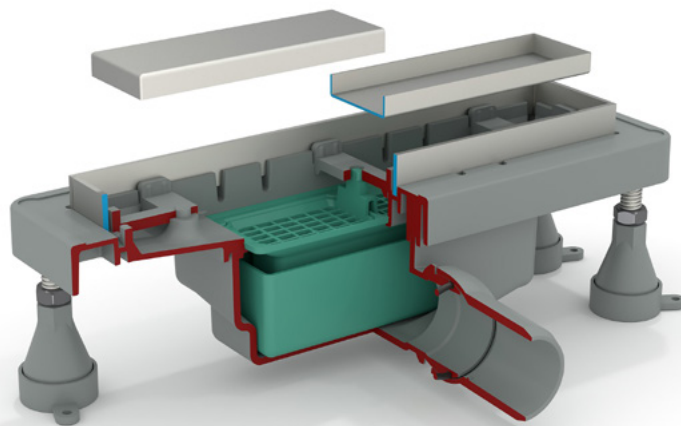


05

# 973 + 972

## Deflow

channel and floor drain for built-in shower

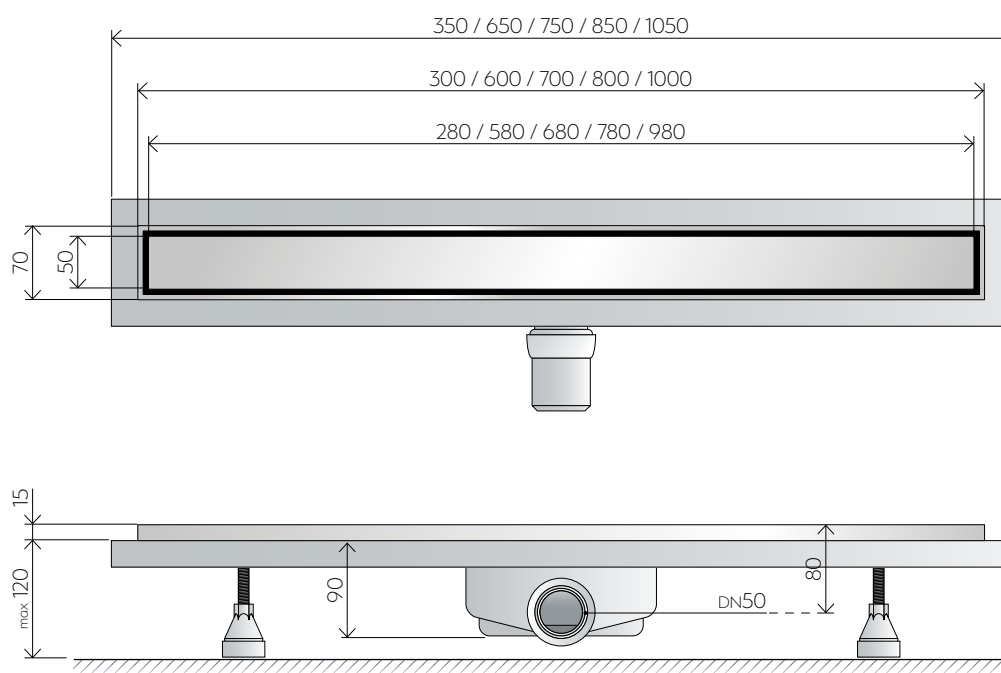


### with higher water capacity

- higher water capacity, more than 60 lt/min
- AISI316 stainless steel tileable cover
- perimetric waterproofing
- water trap removable for maintenance
- adjustable supports to ease the installation
- dry-spot: drainage point for the water filtered through the flooring
- ABS Jointed lateral outlet DN50
- tiling thickness 15 mm
- under floor encumbrance H. 90 mm



35 mm 60 l/min 1 pcs.



Deflow






973

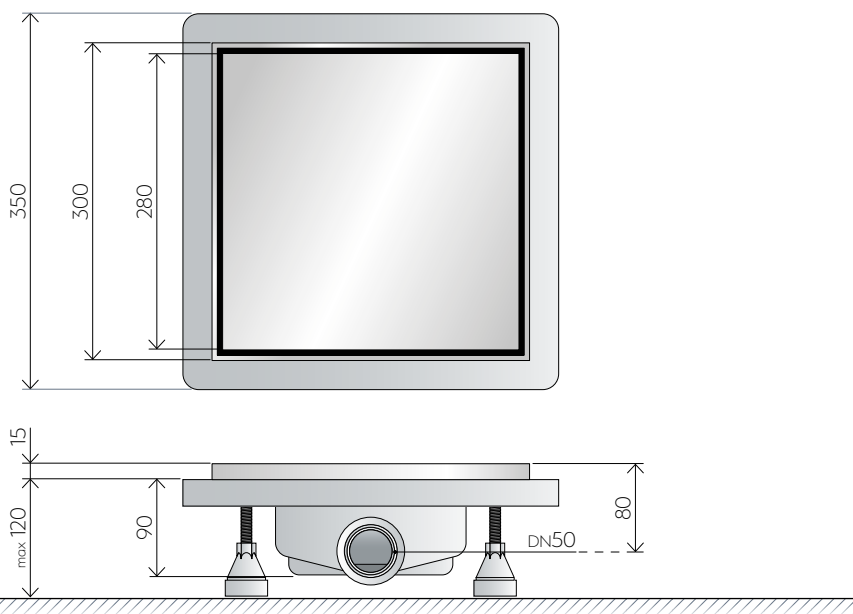
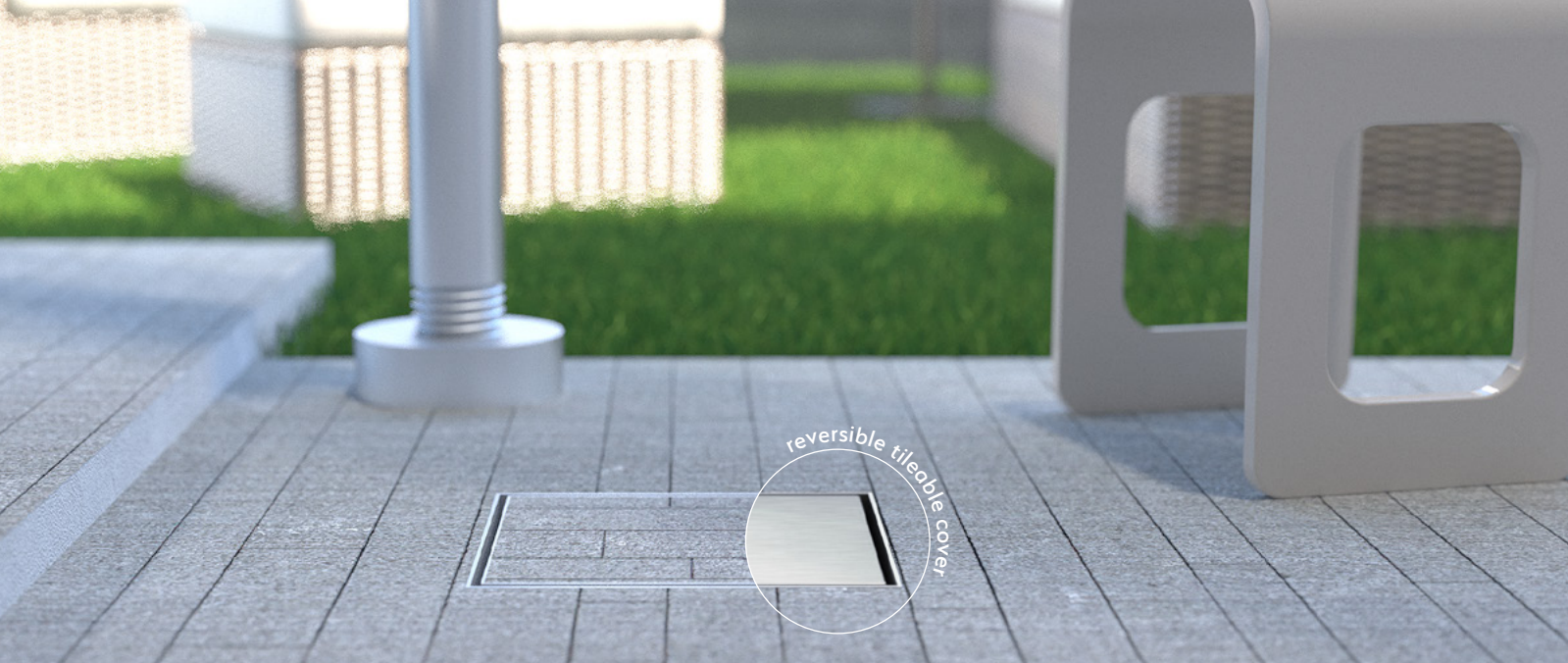
measure

packaging

category

- tiling thickness 15 mm
- under floor encumbrance 90 mm
- ABS lateral outlet DN50
- water trap

	973.101.8	L. 300	1×box	14
	973.801.8	L. 600	1×box	14
	973.901.8	L. 700	1×box	14
	973.201.8	L. 800	1×box	14
	973.401.8	L. 1000	1×box	14




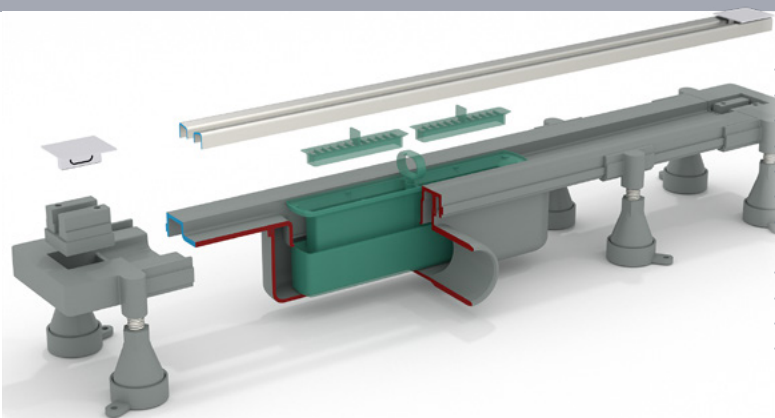
Deflow Q	972	measure	packaging	category
	<ul style="list-style-type: none"> <li>- tiling thickness 15 mm</li> <li>- under floor encumbrance 90 mm</li> <li>- ABS lateral outlet DN50</li> <li>- water trap</li> </ul>			
	972.101.8	300×300	1×box	14



 Tiling thickness inside cover 10 mm

**NOTES / COMMON FEATURES**

-  1. dry-spot: drainage point for the water filtered through the flooring
- 2. standard package complete with grid, siphoning and perimetric waterproofing
- 3. all grids/covers are made in stainless steel AISI 316
- 4. adjusting supports to ease the installation



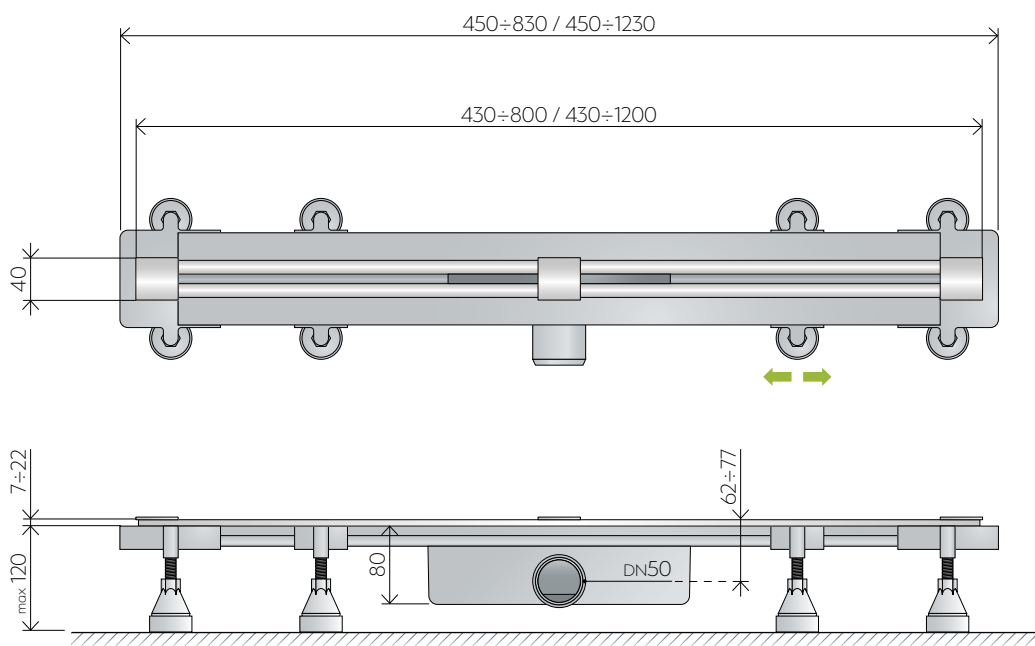
**adjustable length and modular**

- adjustable from 430 minimum to 1200 mm maximum length
- AISI 316 s/steel and chrome plated brass grid adjustable in height
- perimetric waterproofing
- water trap removable for maintenance
- sliding supports to ease the installation useful with any length
- supplied with the cutting template for the channel and grid
- special joints allow to assemble more channels to extend the drain length or increase the drainage capacity
- dry-spot, drainage point for the water filtered through the flooring
- ABS lateral outlet DN50
- tiling thickness 7±22 mm
- under floor encumbrance H. 80 mm



35 mm 36 l/min 1 pcs.

omptea.eu



**Sumisura 983**      measure      packaging      category



- tiling thickness 7±22 mm
- under floor encumbrance 80 mm
- ABS lateral outlet DN50
- water trap

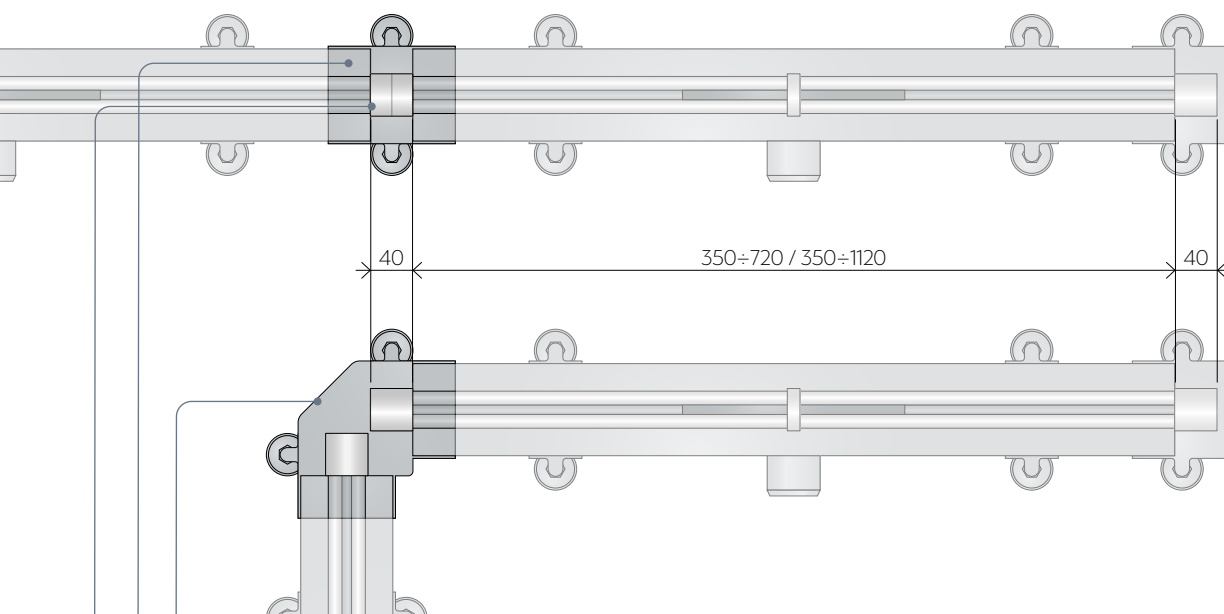
<b>983.201.8</b>	L. 430±800	1×box	14
<b>983.401.8</b>	L. 430±1200	1×box	14

PVD SELECTION

length	gun metal	gold	copper
430±800	983.201.8.N	983.201.8.3	983.201.8.Q
430±1.200	983.401.8.N	983.401.8.3	983.401.8.Q

NOTES / COMMON FEATURES

1. dry-spot: drainage point for the water filtered through the flooring
2. standard package complete with grid, siphoning and perimetric waterproofing
3. all grids/covers are made in stainless steel AISI 316
4. adjusting supports to ease the installation



987	measure	packaging	category
-----	---------	-----------	----------

Sumisura length adjustment accessories:

987.000.0		1×bag	10
-----------	--	-------	----

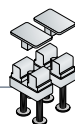
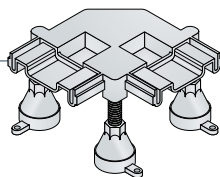
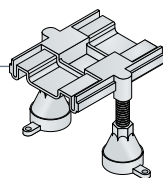
- fitting for linear junction of floor drain channels

987.004.0		1×bag	10
-----------	--	-------	----

- fitting for angular junction of floor drain channels

987.001.0		1×bag	08
-----------	--	-------	----

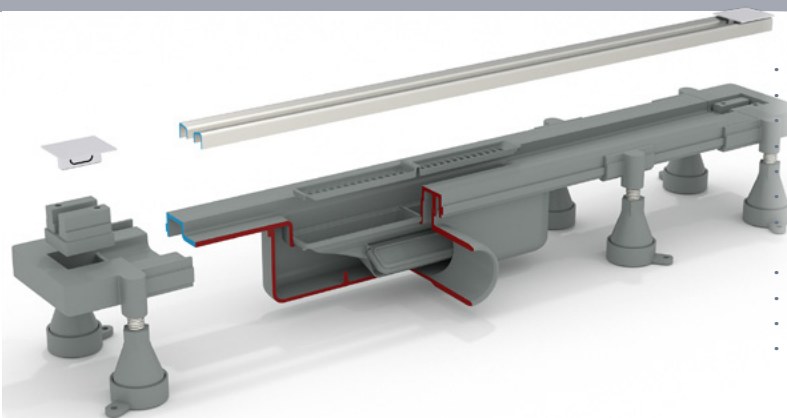
- c.p. brass junction useful to keep separate grids in linear joint, for a easier maintenance removing single grid a time  
- to combine with 987.000.0



new

# Sumisura dry trap

channel for built-in shower



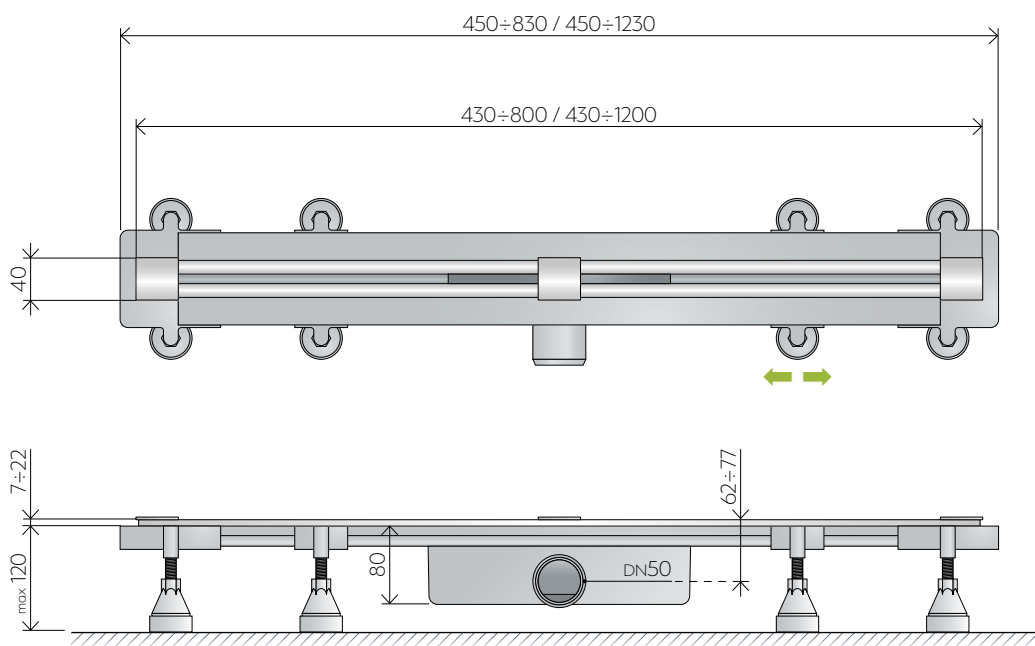
### adjustable length and modular, with dry trap

- adjustable from 430 minimum to 1200 mm maximum length
- AISI 316 s/steel and chrome plated brass grid adjustable in height
- perimetric waterproofing
- dry trap removable for maintenance
- sliding supports to ease the installation useful with any length
- supplied with the cutting template for the channel and grid
- special joints allow to assemble more channels to extend the drain length or increase the drainage capacity
- dry-spot, drainage point for the water filtered through the flooring
- ABS lateral outlet DN50
- tiling thickness 7±22 mm
- under floor encumbrance H. 80 mm



36 l/min 1 pcs.

omptea.eu



## Sumisura dry trap

983

measure

packaging

category



- tiling thickness 7±22 mm
- under floor encumbrance 80 mm
- ABS lateral outlet DN50
- dry trap

983.271.8	L. 430±800	1×box	14	new
983.471.8	L. 430±1200	1×box	14	new

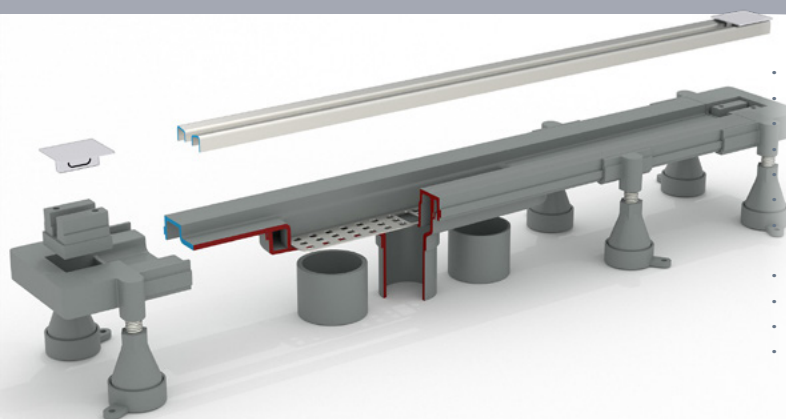
### PVD SELECTION

length	gun metal	gold	copper
430±800	983.271.8.N	983.271.8.3	983.271.8.Q
430±1.200	983.471.8.N	983.471.8.3	983.471.8.Q

### NOTES / COMMON FEATURES

1. dry-spot: drainage point for the water filtered through the flooring
2. standard package complete with grid, siphoning and perimetric waterproofing
3. all grids/covers are made in stainless steel AISI 316
4. adjusting supports to ease the installation

channel for built-in shower

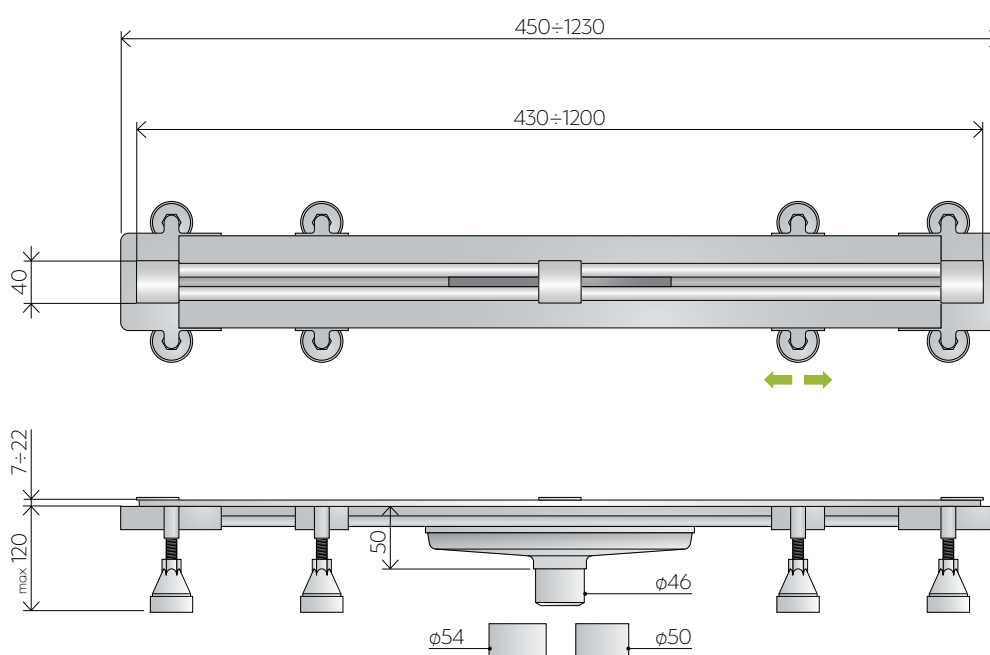
**adjustable length and modular, with vertical outlet**

- adjustable from 430 minimum to 1200 mm maximum length
- AISI 316 s/steel and chrome plated brass grid adjustable in height
- perimetric waterproofing without trap, with removable stainless steel catching-hair grid sliding supports to ease the installation useful with any length
- supplied with the cutting template for the channel and grid
- special joints allow to assemble more channels to extend the drain length or increase the drainage capacity
- dry-spot, drainage point for the water filtered through the flooring
- ABS vertical outlet  $\phi 46$  + adaptors  $\phi 50/54$
- tiling thickness  $7 \div 22$  mm
- under floor encumbrance H. 50 mm (supports exclude)



36 l/min 1 pcs.

omptea.eu



Sumisura V.O.

982

measure

packaging

category

- tiling thickness  $7 \div 22$  mm
- under floor encumbrance 50 mm
- ABS vertical outlet  $\phi 46/50/54$
- no trap

982.401.8

L. 430÷1200 1×box

14

new



## PVD SELECTION

length	gun metal	gold	copper
430÷1.200	982.401.8.N	982.401.8.3	982.401.8.Q

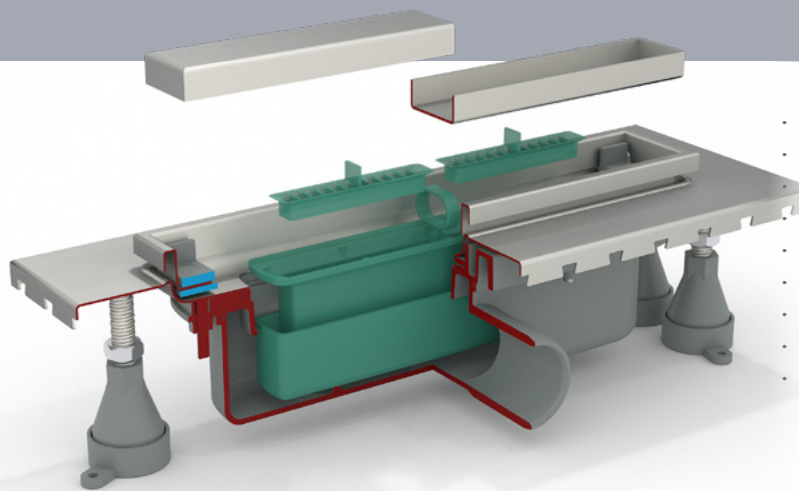
## NOTES / COMMON FEATURES

1. dry-spot: drainage point for the water filtered through the flooring
2. standard package complete with grid, and perimetric waterproofing
3. all grids/covers are made in stainless steel AISI 316
4. adjusting supports to ease the installation

6963

## Esseflow

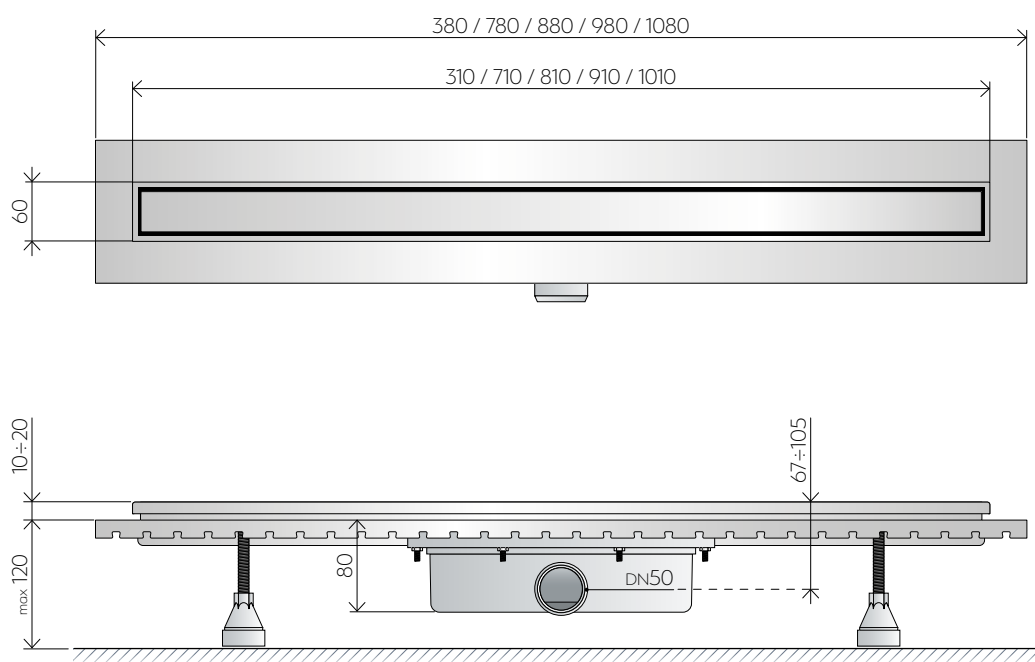
channel for built-in shower

**with structure in s/steel AISI 316**

- AISI316 stainless steel tileable cover
- cover adjustable in height for tiles thickness from 10 to 20 mm
- perimetric waterproofing
- water trap removable for maintenance
- adjustable supports to ease the installation
- dry-spot: drainage point for the water filtered through the flooring
- ABS lateral outlet DN50
- tiling thickness 10÷20 mm
- under floor encumbrance H. 80 mm



35 mm 46 l/min 1 pcs.



Esseflow

6963

measure

packaging

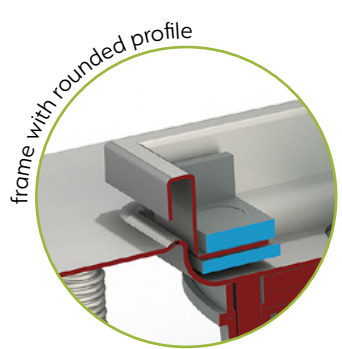
category

- tiling thickness 10÷20 mm
- under floor encumbrance 80 mm
- ABS lateral outlet DN50
- water trap

	<b>6963.101.8</b>	L. 300	1×box	14
	<b>6963.901.8</b>	L. 700	1×box	14
	<b>6963.201.8</b>	L. 800	1×box	14
	<b>6963.301.8</b>	L. 900	1×box	14
	<b>6963.401.8</b>	L. 1000	1×box	14







reversible tileable cover



frame with rounded profile

PVD SELECTION			
length	gun metal	gold	copper
300	6963.101.8.N	6963.101.8.3	6963.101.8.Q
700	6963.901.8.N	6963.901.8.3	6963.901.8.Q
800	6963.201.8.N	6963.201.8.3	6963.201.8.Q
900	6963.301.8.N	6963.301.8.3	6963.301.8.Q
1.000	6963.401.8.N	6963.401.8.3	6963.401.8.Q

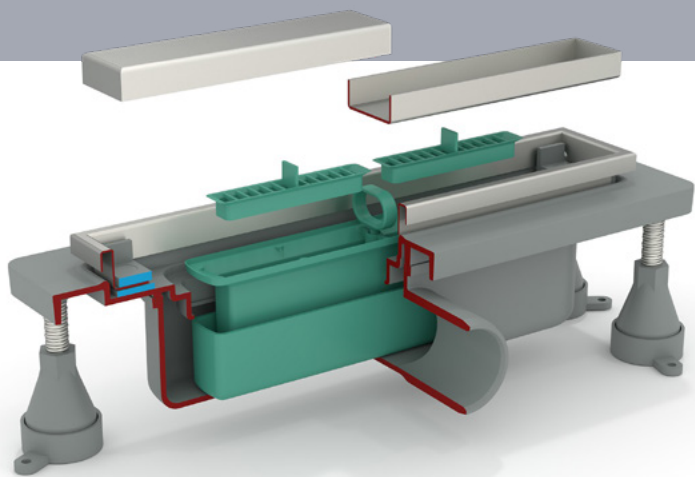
 Tiling thickness inside cover 14 mm

- NOTES / COMMON FEATURES**
-  1. dry-spot: drainage point for the water filtered through the flooring
  -  2. standard package complete with grid, siphoning and perimetric waterproofing
  -  3. all grids/covers are made in stainless steel AISI 316
  -  4. adjusting supports to ease the installation

953

# Nanoflow

channel for built-in shower

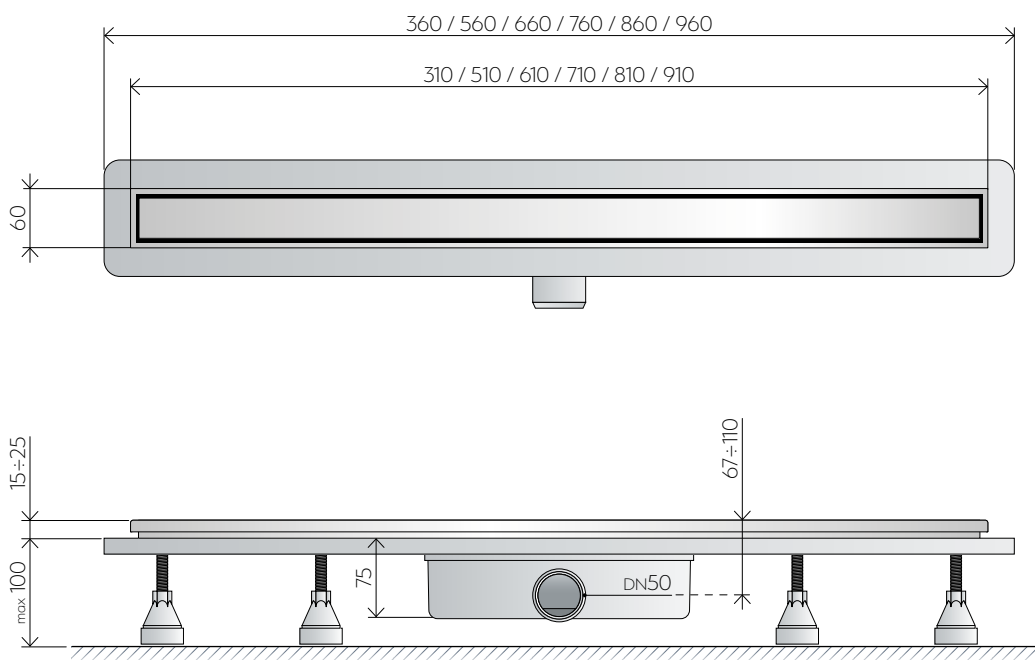


**entry-level with tileable cover**

- AISI316 stainless steel tileable cover
- cover adjustable in height for tiles thickness from 15 to 25 mm
- perimetric waterproofing
- water trap removable for maintenance
- adjustable supports to ease the installation
- dry-spot: drainage point for the water filtered through the flooring
- ABS lateral outlet DN50
- tiling thickness 15÷25 mm
- under floor encumbrance H. 75 mm
- ideal also for flush-to-wall installation



35 mm 40 l/min 1 pcs.



**Nanoflow 953**      measure      packaging      category

- tiling thickness      15÷25 mm
- under floor encumbrance      75 mm
- ABS lateral outlet      DN50
- water trap

	<b>953.101.8</b>	L. 300	1×box	14
	<b>953.701.8</b>	L. 500	1×box	14
	<b>953.801.8</b>	L. 600	1×box	14
	<b>953.901.8</b>	L. 700	1×box	14
	<b>953.201.8</b>	L. 800	1×box	14
	<b>953.301.8</b>	L. 900	1×box	14







PVD SELECTION

length	gun metal	gold	copper
300	953.101.8.N	953.101.8.3	953.101.8.Q
500	953.701.8.N	953.701.8.3	953.701.8.Q
600	953.801.8.N	953.801.8.3	953.801.8.Q
700	953.901.8.N	953.901.8.3	953.901.8.Q
800	953.201.8.N	953.201.8.3	953.201.8.Q
900	953.301.8.N	953.301.8.3	953.301.8.Q

 Tiling thickness inside cover 14 mm

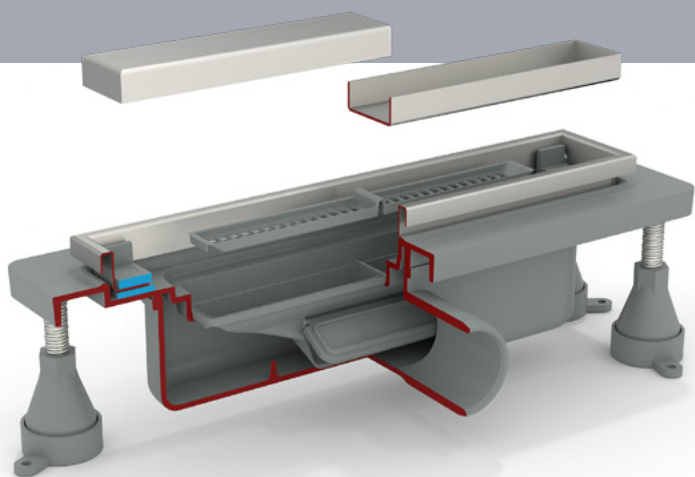
NOTES / COMMON FEATURES

-  1. dry-spot: drainage point for the water filtered through the flooring
-  2. standard package complete with grid, siphoning and perimeter waterproofing
-  3. all grids/covers are made in stainless steel AISI 316
-  4. adjusting supports to ease the installation

953

# Nanoflow dry trap

channel for built-in shower

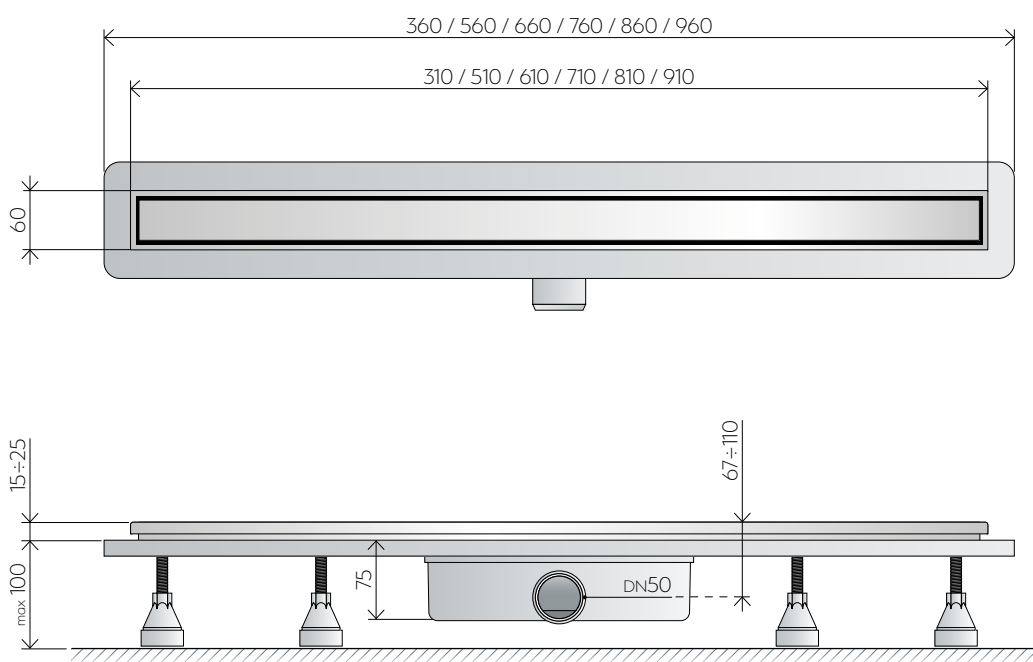


### entry-level with tileable cover and dry trap

- AISI316 stainless steel tileable cover
- cover adjustable in height for tiles thickness from 15 to 25 mm
- perimetric waterproofing
- dry trap removable for maintenance
- adjustable supports to ease the installation
- dry-spot: drainage point for the water filtered through the flooring
- ABS lateral outlet DN50
- tiling thickness 15÷25 mm
- under floor encumbrance H. 75 mm
- ideal also for flush-to-wall installation



40 l/min 1 pcs.



## Nanoflow dry trap

953

measure

packaging

category



- tiling thickness 15÷25 mm
- under floor encumbrance 75 mm
- ABS lateral outlet DN50
- dry trap

	953.171.8	L. 300	1×box	14	
	953.771.8	L. 500	1×box	14	
	953.871.8	L. 600	1×box	14	
	953.971.8	L. 700	1×box	14	
	953.271.8	L. 800	1×box	14	
	953.371.8	L. 900	1×box	14	

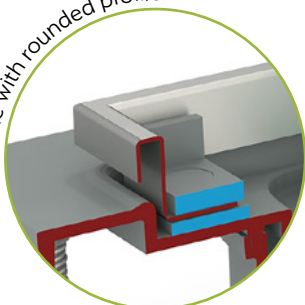


reversible tileable cover

PVD SELECTION

length	gun metal	gold	copper
300	953.171.8.N	953.171.8.3	953.171.8.Q
500	953.771.8.N	953.771.8.3	953.771.8.Q
600	953.871.8.N	953.871.8.3	953.871.8.Q
700	953.971.8.N	953.971.8.3	953.971.8.Q
800	953.271.8.N	953.271.8.3	953.271.8.Q
900	953.371.8.N	953.371.8.3	953.371.8.Q

frame with rounded profile



\* Tiling thickness inside cover 14 mm

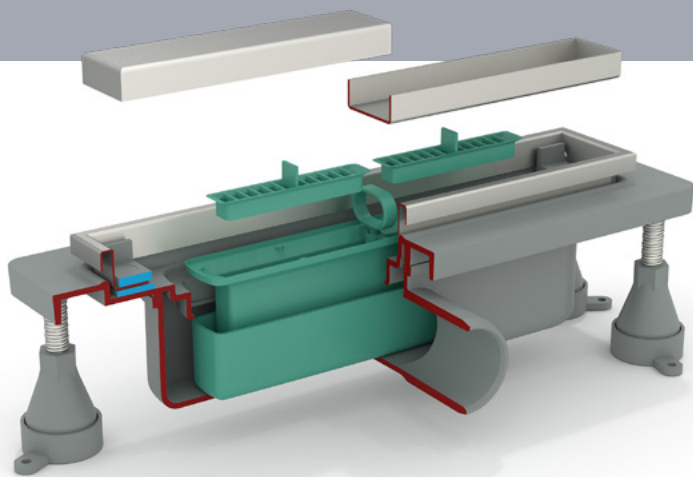
NOTES / COMMON FEATURES

- 1. dry-spot: drainage point for the water filtered through the flooring
- 2. standard package complete with grid, siphoning and perimetric waterproofing
- 3. all grids/covers are made in stainless steel AISI 316
- 4. adjusting supports to ease the installation

953.05

# Nanoflow mosaic

channel for built-in shower

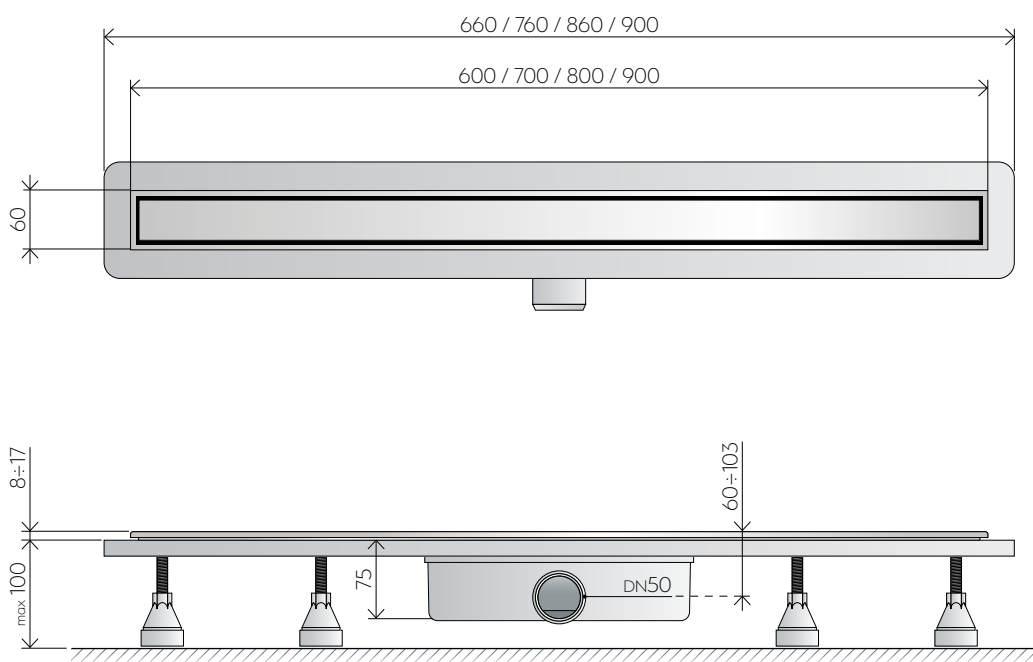







**entry-level with tileable cover for minimum tiles thickness 8 mm**

- AISI316 stainless steel tileable cover
- cover adjustable in height for tiles thickness from minimum 8 mm
- perimetric waterproofing
- water trap removable for maintenance
- adjustable supports to ease the installation
- dry-spot: drainage point for the water filtered through the flooring
- ABS lateral outlet DN50
- tiling thickness 8÷17 mm
- under floor encumbrance H. 75 mm
- ideal also for flush-to-wall installation

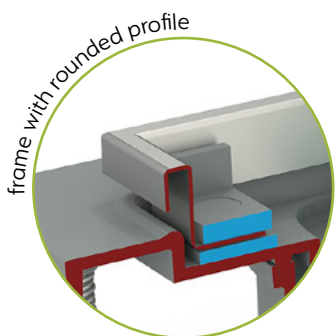


35 mm 40 l/min 1 pcs.



Nanoflow mosaic	953.05	measure	packaging	category
	- tiling thickness	8÷17 mm		
	- under floor encumbrance	75 mm		
	- ABS lateral outlet	DN50		
	- water trap			
		953.801.8.05	L. 600	1×box
	953.901.8.05	L. 700	1×box	14
	953.201.8.05	L. 800	1×box	14
	953.301.8.05	L. 900	1×box	14

new



frame with rounded profile

\* Tiling thickness inside cover 8 mm

NOTES / COMMON FEATURES

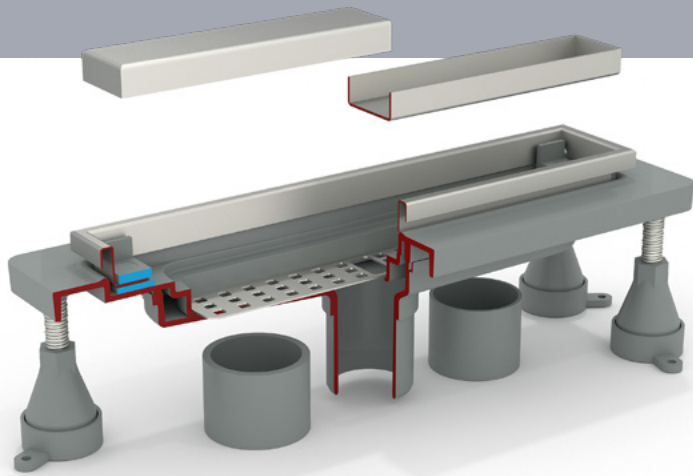
- \* 1. dry-spot: drainage point for the water filtered through the flooring
- 2. standard package complete with grid, siphoning and perimetric waterproofing
- 3. all grids/covers are made in stainless steel AISI 316
- 4. adjusting supports to ease the installation



952

# Nanoflow vertical outlet

channel for built-in shower

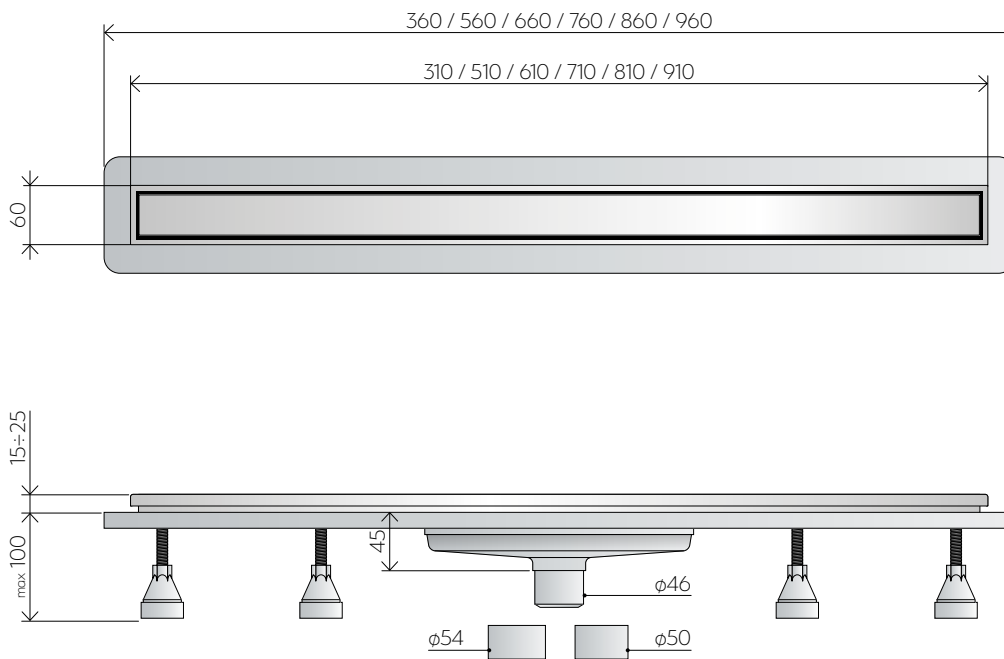


**entry-level with tileable cover, with vertical outlet**

- AISI316 stainless steel tileable cover
- cover adjustable in height for tiles thickness from 15 to 25 mm
- perimetric waterproofing
- removable stainless steel catching-hair grid
- adjustable supports to ease the installation
- dry-spot: drainage point for the water filtered through the flooring
- ABS vertical outlet  $\phi 46$  + adaptors  $\phi 50/54$
- tiling thickness  $15 \div 25$  mm
- under floor encumbrance H. 45 mm (supports excluded)
- ideal also for flush-to-wall installation



40 l/min 1 pcs.



Nanoflow v.o.













**952**

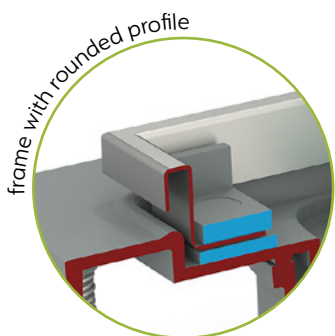
measure

packaging

category

- tiling thickness 15÷25 mm
- under floor encumbrance 45 mm
- ABS vertical outlet  $\phi 46/50/54$
- no trap

	<b>952.101.8</b>	L. 300	1×box	14	
	<b>952.701.8</b>	L. 500	1×box	14	
	<b>952.801.8</b>	L. 600	1×box	14	
	<b>952.901.8</b>	L. 700	1×box	14	
	<b>952.201.8</b>	L. 800	1×box	14	
	<b>952.301.8</b>	L. 900	1×box	14	



PVD SELECTION

length	gun metal	gold	copper
300	952.101.8.N	952.101.8.3	952.101.8.Q
500	952.701.8.N	952.701.8.3	952.701.8.Q
600	952.801.8.N	952.801.8.3	952.801.8.Q
700	952.901.8.N	952.901.8.3	952.901.8.Q
800	952.201.8.N	952.201.8.3	952.201.8.Q
900	952.301.8.N	952.301.8.3	952.301.8.Q

\* Tiling thickness inside cover 14 mm

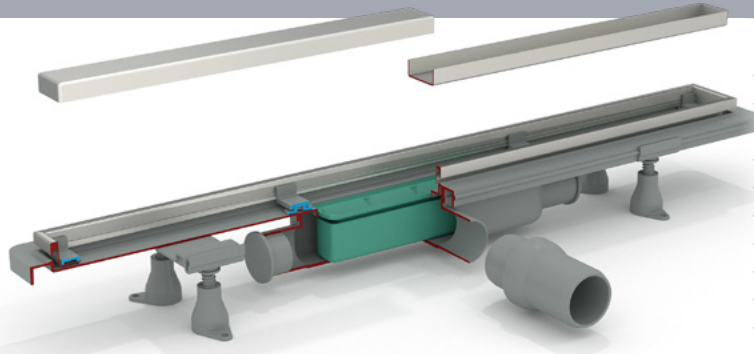
NOTES / COMMON FEATURES

- 1. dry-spot: drainage point for the water filtered through the flooring
- 2. standard package complete with grid, and perimetric waterproofing
- 3. all grids/covers are made in stainless steel AISI 316
- 4. adjusting supports to ease the installation

# 5953

## Renova

channel for built-in shower

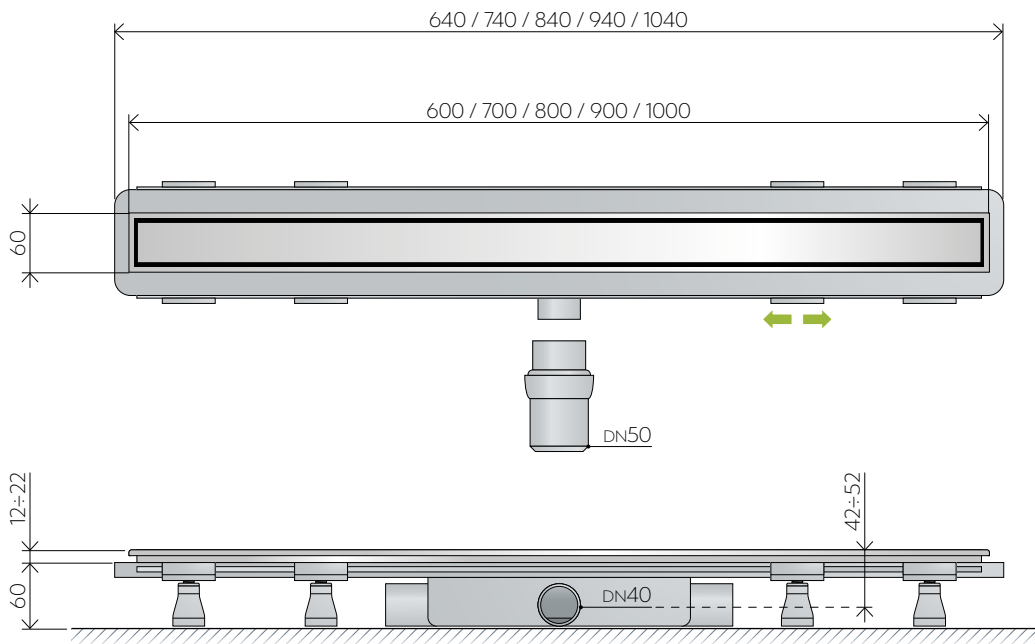


**minimum encumbrance under floor, only 60 mm**

- AISI316 stainless steel tileable cover
- cover adjustable in height for tiles thickness from 12 to 22 mm
- perimetric waterproofing
- water trap removable for maintenance
- adjustable supports to ease the installation
- dry-spot: drainage point for the water filtered through the flooring
- ABS lateral outlet DN40 with 2 additional outlets
- ABS jointed tailpiece DN50
- tiling thickness 12÷22 mm
- under floor encumbrance H. 60 mm
- suitable also for renovations



35 mm 33 l/min 1 pcs.



**Renova 5953**






measure

packaging

category



- tiling thickness 12÷22 mm
- under floor encumbrance 60 mm
- ABS lateral outlet DN40/50
- water trap

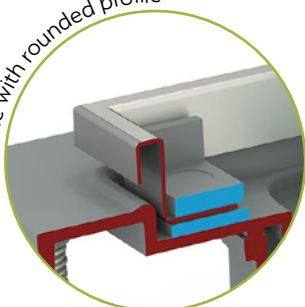
	<b>5953.801.8.05</b>	L. 600	1×box	14
	<b>5953.901.8.05</b>	L. 700	1×box	14
	<b>5953.201.8.05</b>	L. 800	1×box	14
	<b>5953.301.8.05</b>	L. 900	1×box	14
	<b>5953.401.8.05</b>	L. 1000	1×box	14



PVD SELECTION


length	gun metal	gold	copper
600	5953.801.8.N5	5953.801.8.35	5953.801.8.Q5
700	5953.901.8.N5	5953.901.8.35	5953.901.8.Q5
800	5953.201.8.N5	5953.201.8.35	5953.201.8.Q5
900	5953.301.8.N5	5953.301.8.35	5953.301.8.Q5
1.000	5953.401.8.N5	5953.401.8.35	5953.401.8.Q5

frame with rounded profile



 Tiling thickness inside cover 8 mm

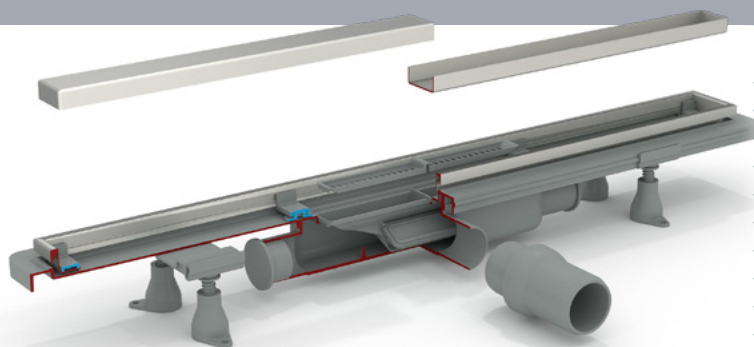
NOTES / COMMON FEATURES

-  1. dry-spot: drainage point for the water filtered through the flooring
- 2. standard package complete with grid, siphoning and perimetric waterproofing
- 3. all grids/covers are made in stainless steel AISI 316
- 4. adjusting supports to ease the installation

# 5953

## Renova dry trap

channel for built-in shower

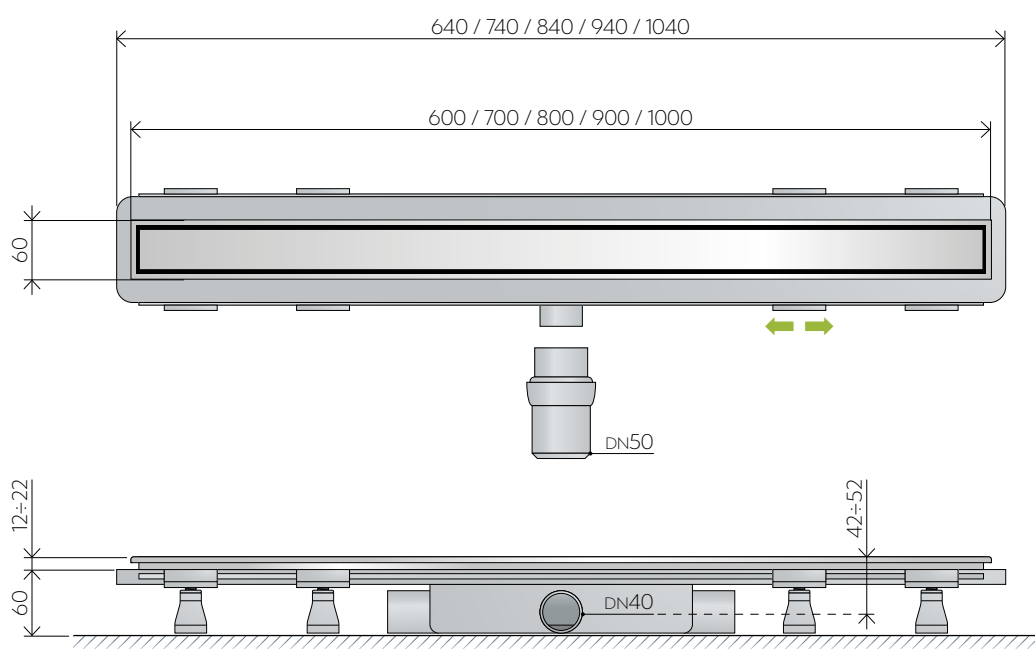


### minimum encumbrance under floor, with dry trap

- AISI316 stainless steel tileable cover
- cover adjustable in height for tiles thickness from 12 to 22 mm
- perimetric waterproofing
- dry trap removable for maintenance
- adjustable supports to ease the installation
- dry-spot: drainage point for the water filtered through the flooring
- ABS lateral outlet DN40 with 2 additional outlets
- ABS jointed tailpiece DN50
- tiling thickness 12÷22 mm
- under floor encumbrance H. 60 mm
- suitable also for renovations



33 l/min 1 pcs.



Renova dry trap

5953











measure

packaging

category



- tiling thickness 12÷22 mm
- under floor encumbrance 60 mm
- ABS lateral outlet DN40/50
- dry trap

	5953.871.8.05	L. 600	1×box	14	
	5953.971.8.05	L. 700	1×box	14	
	5953.271.8.05	L. 800	1×box	14	
	5953.371.8.05	L. 900	1×box	14	
	5953.471.8.05	L. 1000	1×box	14	



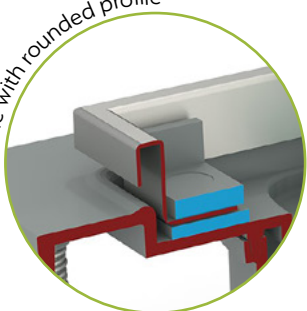
reversible tileable cover



PVD SELECTION

length	gun metal	gold	copper
600	5953.871.8.N5	5953.871.8.35	5953.871.8.Q5
700	5953.971.8.N5	5953.971.8.35	5953.971.8.Q5
800	5953.271.8.N5	5953.271.8.35	5953.271.8.Q5
900	5953.371.8.N5	5953.371.8.35	5953.371.8.Q5
1.000	5953.471.8.N5	5953.471.8.35	5953.471.8.Q5

frame with rounded profile



Tiling thickness inside cover 8 mm

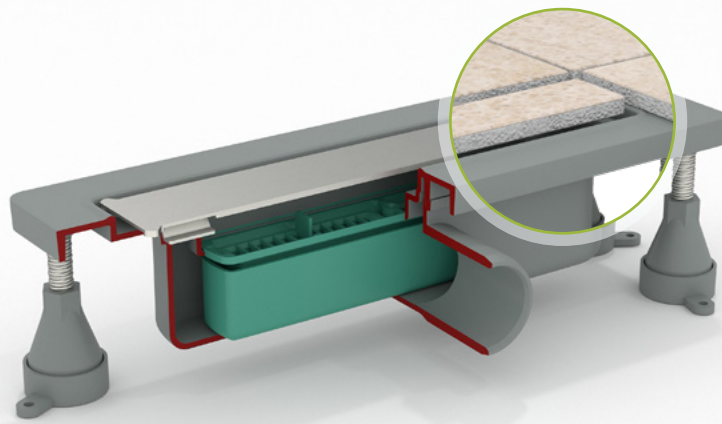
NOTES / COMMON FEATURES

- 1. dry-spot: drainage point for the water filtered through the flooring
- 2. standard package complete with grid, siphoning and perimetric waterproofing
- 3. all grids/covers are made in stainless steel AISI 316
- 4. adjusting supports to ease the installation

953

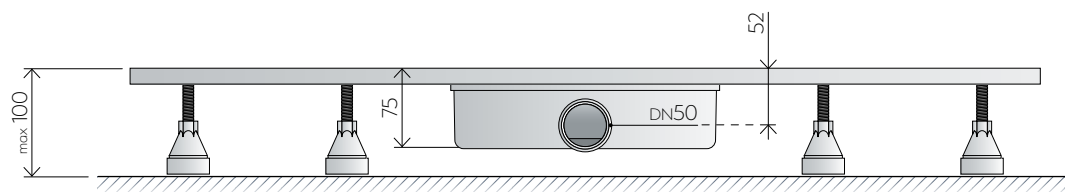
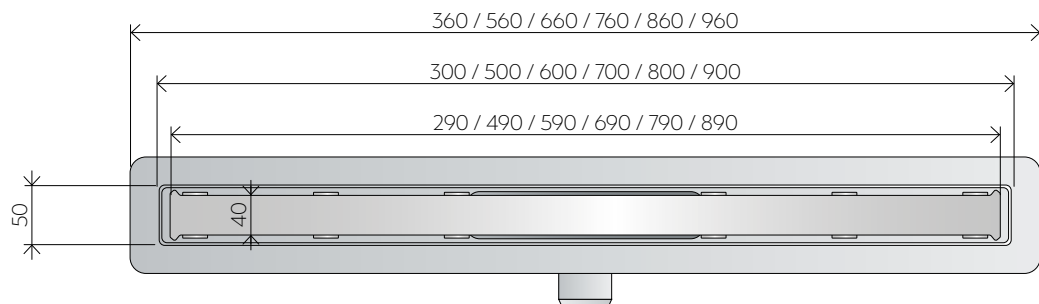
# Nanoflow unseen

channel for built-in shower



**completely invisible, without any part of the drain visible**

- AISI316 stainless steel support for central tile
- perimetric waterproofing
- trap removable for maintenance (available also with dry trap)
- adjustable supports to ease the installation
- ABS lateral outlet DN50
- under floor encumbrance H. 75 mm
- **it's specially developed for application in resin flooring**



Nanoflow unseen

953

measure

packaging

category



- tiling thickness **no limits**
- under floor encumbrance **75 mm**
- ABS lateral outlet **DN50**
- water trap

953.105.8	L. 300	1×box	14	new
953.705.8	L. 500	1×box	14	new
953.805.8	L. 600	1×box	14	new
953.905.8	L. 700	1×box	14	new
953.205.8	L. 800	1×box	14	new
953.305.8	L. 900	1×box	14	new



**ideal for RESIN FLOORING**

**COMPLETELY INVISIBLE**

The grid has no edges to contain the tile and the traditional profile to delimit the water drainage slot has been replaced by a temporary template to be eliminated once the installation has been completed: in this way all the visible parts of the drain have been removed and the result is a shower channels model in which only the water flow slot remains visible.



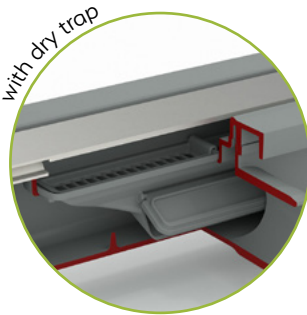
**Nanoflow** unseen / dry trap



**953**      measure      packaging      category

- tiling thickness      **no limits**
- under floor encumbrance      **75 mm**
- ABS lateral outlet      **DN50**
- dry trap

<b>953.175.8</b>	L. 300	1×box	14	new
<b>953.775.8</b>	L. 500	1×box	14	new
<b>953.875.8</b>	L. 600	1×box	14	new
<b>953.975.8</b>	L. 700	1×box	14	new
<b>953.275.8</b>	L. 800	1×box	14	new
<b>953.375.8</b>	L. 900	1×box	14	new

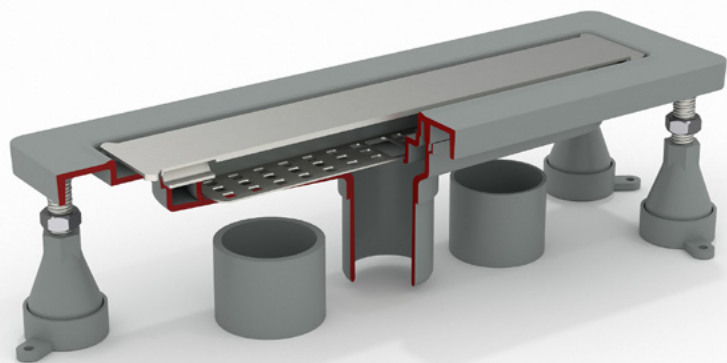


- NOTES / COMMON FEATURES**
1. standard package complete with grid, siphoning and perimetric waterproofing
  2. all grids/covers are made in stainless steel AISI 316
  3. adjusting supports to ease the installation

channel for built-in shower

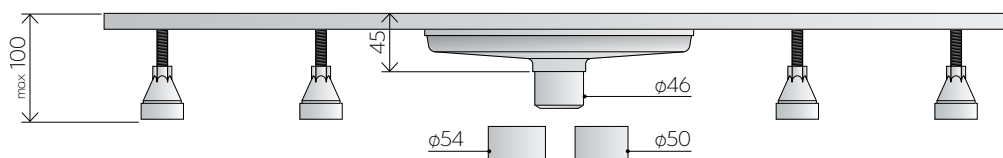
**completely invisible, with vertical outlet**

- AISI316 stainless steel support for central tile
- perimetric waterproofing
- removable stainless steel catching-hair grid
- adjustable supports to ease the installation
- ABS vertical outlet  $\phi 46$  + adaptors  $\phi 50/54$
- under floor encumbrance H. 45 mm (supports excluded)
- it's specially developed for application in resin flooring



40 l/min 1 pcs.

omptea.eu



Nanoflow unseen / v.o.

**952**

measure

packaging

category



- tiling thickness no limits
- under floor encumbrance 45 mm
- ABS vertical outlet  $\phi 46/50/54$
- no trap

952.105.8	L. 300	1×box	14	new
952.705.8	L. 500	1×box	14	new
952.805.8	L. 600	1×box	14	new
952.905.8	L. 700	1×box	14	new
952.205.8	L. 800	1×box	14	new
952.305.8	L. 900	1×box	14	new

## \* NOTES

The grid has no edges to contain the tile and the traditional profile to delimit the water drainage slot has been replaced by a temporary template to be eliminated once the installation has been completed: in this way all the visible parts of the drain have been removed and the result is a shower channels model in which only the water flow slot remains visible.

6963

Esseflow unseen

channel for built-in shower

new

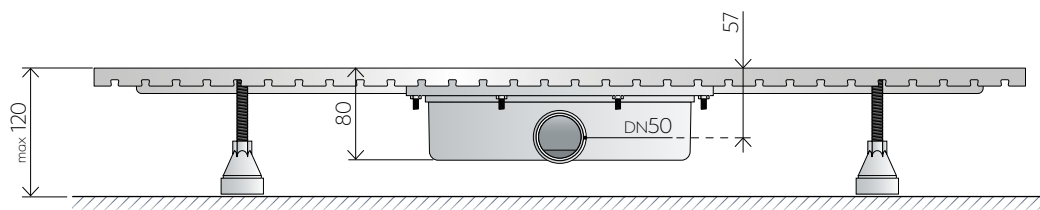
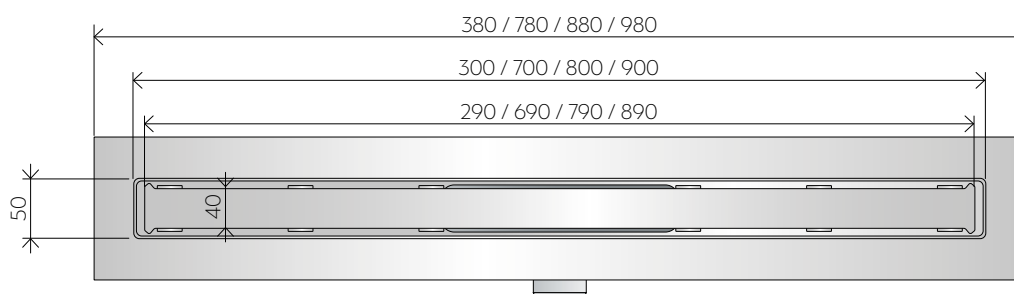
**completely invisible, with structure in s/steel AISI 316**

- AISI316 stainless steel support for central tile
- perimetric waterproofing
- water trap removable for maintenance
- adjustable supports to ease the installation
- ABS lateral outlet DN50
- under floor encumbrance H. 80 mm
- **it's specially developed for application in resin flooring**

omptea.eu



35 mm 46 l/min 1 pcs.



Esseflow unseen

6963

measure

packaging

category

- tiling thickness **no limits**
- under floor encumbrance **80 mm**
- ABS lateral outlet **DN50**
- water trap

6963.105.8

L. 300

1×box

14

new

6963.905.8

L. 700

1×box

14

new

6963.205.8

L. 800

1×box

14

new

6963.305.8

L. 900

1×box

14

new

## NOTES / COMMON FEATURES



1. standard package complete with grid, siphoning and perimetric waterproofing
2. all grids/covers are made in stainless steel AISI 316
3. adjusting supports to ease the installation



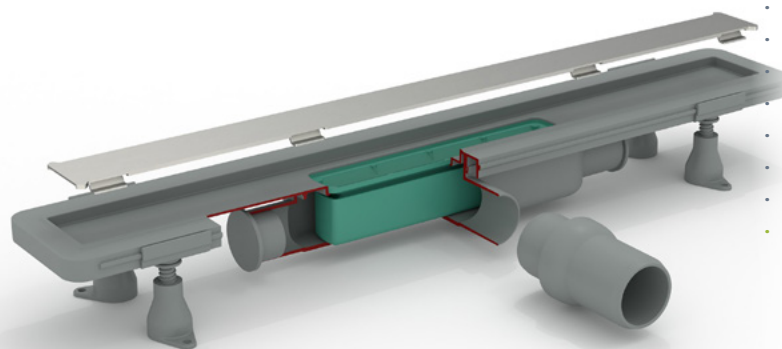
# 5953

## Renova unseen

channel for built-in shower

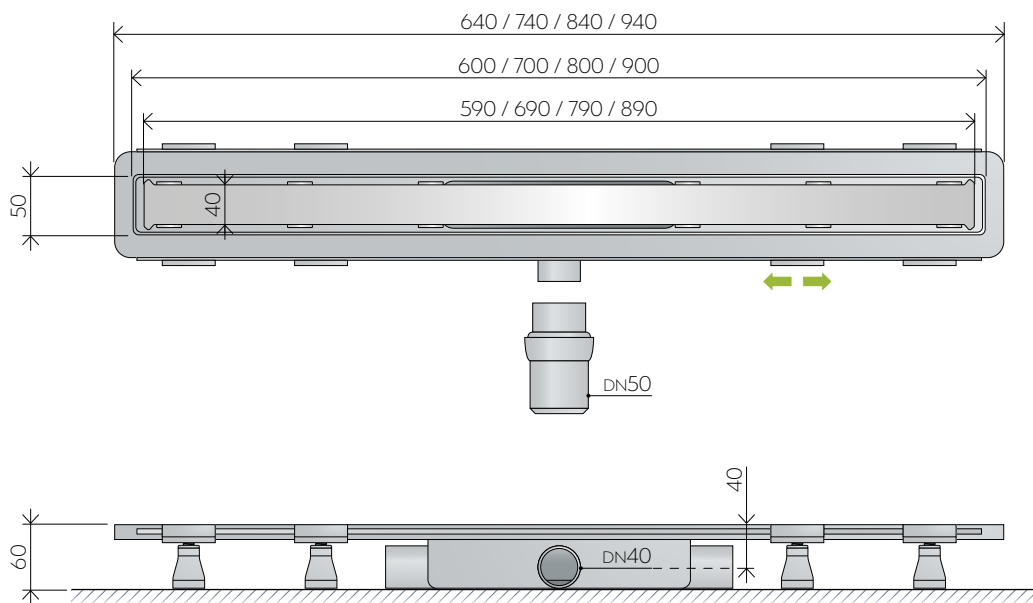
### completely invisible, with minimum encumbrance

- AISI316 stainless steel support for central tile
- perimetric waterproofing
- trap removable for maintenance (available also with dry trap)
- adjustable supports to ease the installation
- ABS lateral outlet DN40 with 2 additional outlets
- ABS jointed tailpiece DN50
- under floor encumbrance H. 60 mm
- it's specially developed for application in resin flooring



35 mm 33 l/min 1 pcs.

omptea.eu



Renova unseen

5953

measure

packaging

category




- tiling thickness no limits
- under floor encumbrance 60 mm
- ABS lateral outlet DN40/50
- water trap

5953.805.8	L. 600	1×box	14	new
5953.905.8	L. 700	1×box	14	new
5953.205.8	L. 800	1×box	14	new
5953.305.8	L. 900	1×box	14	new



 ideal for RESIN FLOORING

**COMPLETELY INVISIBLE**

 The grid has no edges to contain the tile and the traditional profile to delimit the water drainage slot has been replaced by a temporary template to be eliminated once the installation has been completed: in this way all the visible parts of the drain have been removed and the result is a shower channels model in which only the water flow slot remains visible.







**Renova** unseen / dry trap

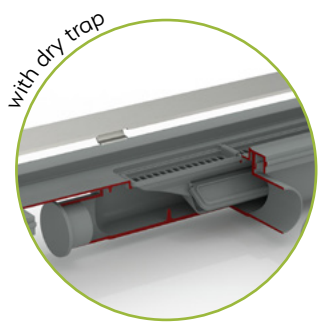
**5953**


measure      packaging      category



- tiling thickness      **no limits**
- under floor encumbrance      **60 mm**
- ABS lateral outlet      **DN40/50**
- dry trap

<b>5953.875.8</b>	L. 600	1×box	14	
<b>5953.975.8</b>	L. 700	1×box	14	
<b>5953.275.8</b>	L. 800	1×box	14	
<b>5953.375.8</b>	L. 900	1×box	14	



- NOTES / COMMON FEATURES**
-  1. standard package complete with grid, siphoning and perimetric waterproofing
  - 2. all grids/covers are made in stainless steel AISI 316
  - 3. adjusting supports to ease the installation

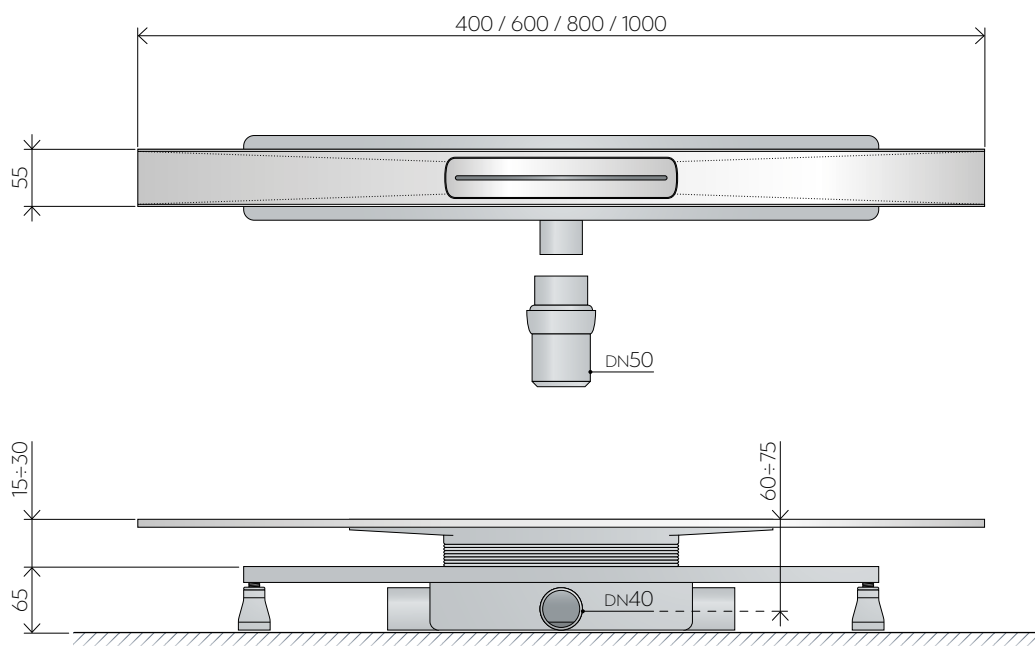
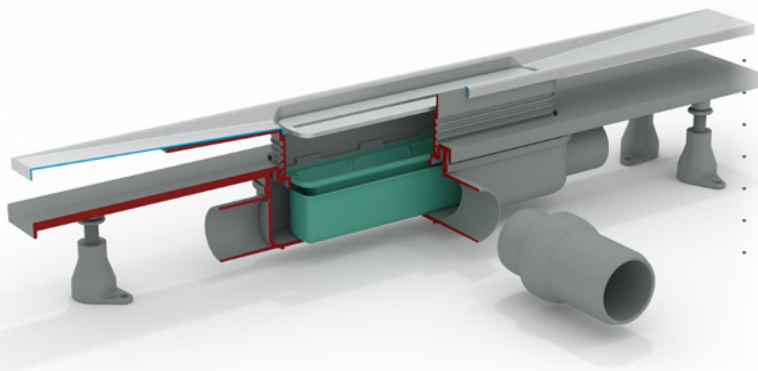
# 5963

## Emyflow

channel for built-in shower

### easy to clean and maintain

- easy to clean and maintain as it consists of a single surface in stainless steel AISI316 and with a direct access to the drain
- water trap removable for maintenance
- perimetric waterproofing
- adjustable supports to ease the installation
- ABS lateral outlet DN40 with 2 additional outlets
- ABS jointed tailpiece DN50
- tiling thickness 15÷30 mm
- under floor encumbrance H. 65 mm



Emyflow	5963	measure	packaging	category
---------	------	---------	-----------	----------



- tiling thickness 15÷30 mm
- under floor encumbrance 65 mm
- ABS lateral outlet DN40/50
- water trap

	LINE	<b>5963.504.8</b>	L. 400	1×box	14	
		<b>5963.804.8</b>	L. 600	1×box	14	
		<b>5963.204.8</b>	L. 800	1×box	14	
		<b>5963.404.8</b>	L. 1000	1×box	14	
	FRAME	<b>5963.503.8</b>	L. 400	1×box	14	
		<b>5963.803.8</b>	L. 600	1×box	14	
		<b>5963.203.8</b>	L. 800	1×box	14	
		<b>5963.403.8</b>	L. 1000	1×box	14	



**EASY TO CLEAN**

\* With only one visible, continuous and unobstructed surface, Emyflow is the shower channel particularly easy to clean and maintain as it offers also a large and direct access to the trap from the central removable grid.



PVD SELECTION / LINE model			
length	gun metal	gold	copper
400	5963.504.8.N	5963.504.8.3	5963.504.8.Q
600	5963.804.8.N	5963.804.8.3	5963.804.8.Q
800	5963.204.8.N	5963.204.8.3	5963.204.8.Q
1.000	5963.404.8.N	5963.404.8.3	5963.404.8.Q

**NOTES / ADJUSTABLE LENGTH**

\* Adjustable from 1000 maximum to 800 mm minimum length  
Only for the 1000 mm size channel

**NOTES / COMMON FEATURES**

- \* 1. standard package complete with grid, siphoning and perimetric waterproofing
- 2. all grids/covers are made in stainless steel AISI 316
- 3. adjusting supports to ease the installation

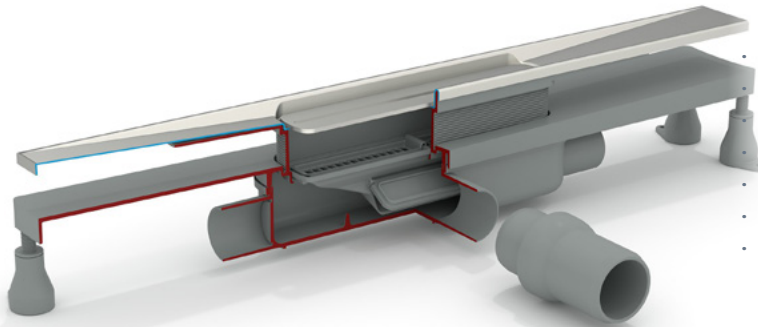
# 5963

## Emyflow dry trap

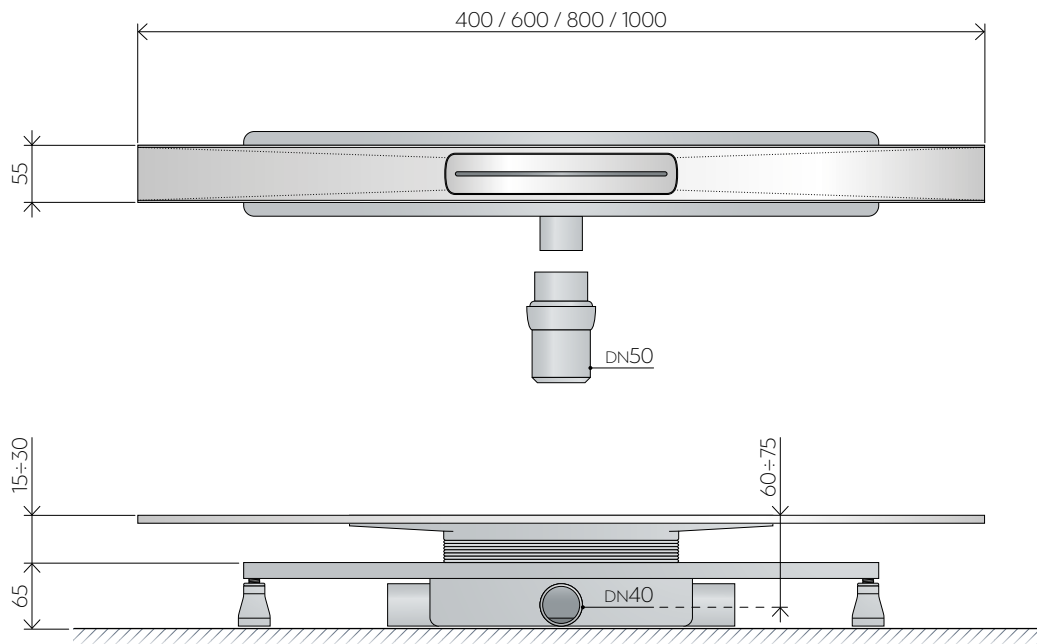
channel for built-in shower

### easy to clean and maintain, with dry trap

- easy to clean and maintain as it consists of a single surface in stainless steel AISI316 and with a direct access to the drain
- dry trap removable for maintenance
- perimetric waterproofing
- adjustable supports to ease the installation
- ABS lateral outlet DN40 with 2 additional outlets
- ABS jointed tailpiece DN50
- tiling thickness 15÷30 mm
- under floor encumbrance H. 65 mm



32 l/min 1 pcs.



### Emyflow dry trap

### 5963

measure

packaging

category



- tiling thickness 15÷30 mm
- under floor encumbrance 65 mm
- ABS lateral outlet DN40/50
- dry trap

	LINE	5963.574.8	L. 400	1×box	14	new
		5963.874.8	L. 600	1×box	14	new
		5963.274.8	L. 800	1×box	14	new
		5963.474.8	L. 1000	1×box	14	new
	FRAME	5963.573.8	L. 400	1×box	14	new
		5963.873.8	L. 600	1×box	14	new
		5963.273.8	L. 800	1×box	14	new
		5963.473.8	L. 1000	1×box	14	new



**EASY TO CLEAN**



With only one visible, continuous and unobstructed surface, Emyflow is the shower channel particularly easy to clean and maintain as it offers also a large and direct access to the trap from the central removable grid.

**PVD SELECTION / LINE model**

length	gun metal	gold	copper
400	5963.574.8.N	5963.574.8.3	5963.574.8.Q
600	5963.874.8.N	5963.874.8.3	5963.874.8.Q
800	5963.274.8.N	5963.274.8.3	5963.274.8.Q
1.000	5963.474.8.N	5963.474.8.3	5963.474.8.Q

**NOTES / ADJUSTABLE LENGTH**



Adjustable from 1000 maximum to 800 mm minimum length  
Only for the 1000 mm size channel

**NOTES / COMMON FEATURES**



1. standard package complete with grid, siphoning and perimeter waterproofing
2. all grids/covers are made in stainless steel AISI 316
3. adjusting supports to ease the installation



# 5962

## Emyflow vertical outlet

channel for built-in shower

### easy to clean and maintain, with vertical outlet

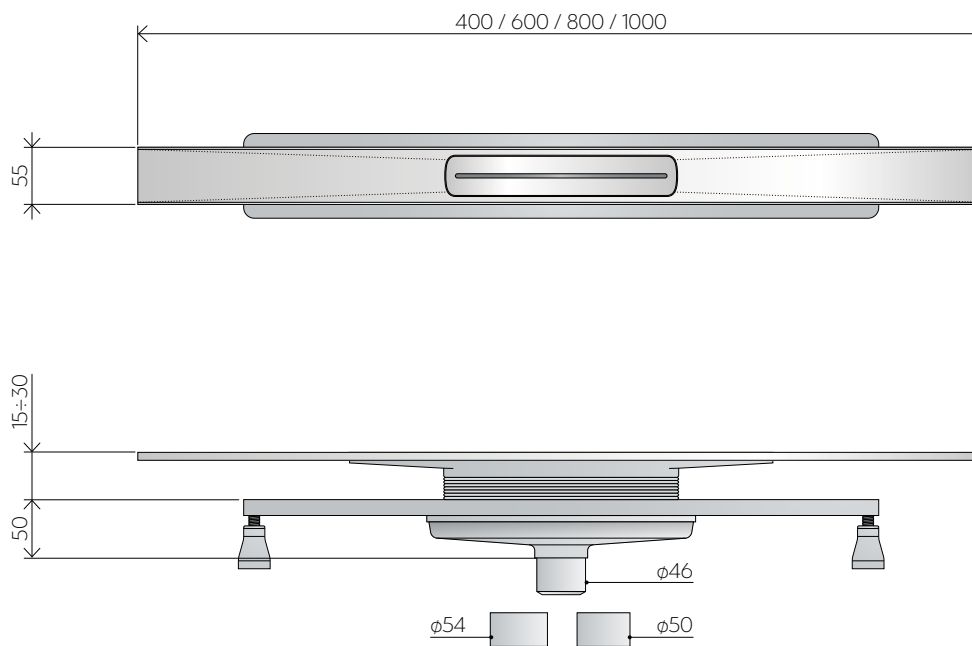
easy to clean and maintain as it consists of a single surface in stainless steel AISI316 and with a direct access to the drain

- removable stainless steel catching-hair grid
- perimetric waterproofing
- adjustable supports to ease the installation
- ABS vertical outlet  $\phi 46$  + adaptors  $\phi 50/54$
- tiling thickness  $15 \div 30$  mm
- under floor encumbrance H. 50 mm (supports excluded)

omptea.eu



32 l/min 1 pcs.



Emyflow v.o.

**5962**

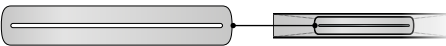

















measure

packaging

category



- tiling thickness 15 ÷ 30 mm
- under floor encumbrance 50 mm
- ABS vertical outlet  $\phi 46/50/54$
- no trap

		measure	packaging	category	
	LINE	<b>5962.504.8</b>	L. 400	1×box	14 
		<b>5962.804.8</b>	L. 600	1×box	14 
		<b>5962.204.8</b>	L. 800	1×box	14 
		<b>5962.404.8</b>	L. 1000	1×box	14  
	FRAME	<b>5962.503.8</b>	L. 400	1×box	14 
		<b>5962.803.8</b>	L. 600	1×box	14 
		<b>5962.203.8</b>	L. 800	1×box	14 
		<b>5962.403.8</b>	L. 1000	1×box	14  



**EASY TO CLEAN**

\* With only one visible, continuous and unobstructed surface, Emyflow is the shower channel particularly easy to clean and maintain as it offers also a large and direct access to the trap from the central removable grid.

PVD SELECTION / LINE model			
length	gun metal	gold	copper
400	5962.504.8.N	5962.504.8.3	5962.504.8.Q
600	5962.804.8.N	5962.804.8.3	5962.804.8.Q
800	5962.204.8.N	5962.204.8.3	5962.204.8.Q
1.000	5962.404.8.N	5962.404.8.3	5962.404.8.Q

**NOTES / ADJUSTABLE LENGTH**

\* Adjustable from 1000 maximum to 800 mm minimum length  
Only for the 1000 mm size channel

**NOTES / COMMON FEATURES**

\* 1. standard package complete with grid, and perimetric waterproofing  
2. all grids/covers are made in stainless steel AISI 316  
3. adjusting supports to ease the installation

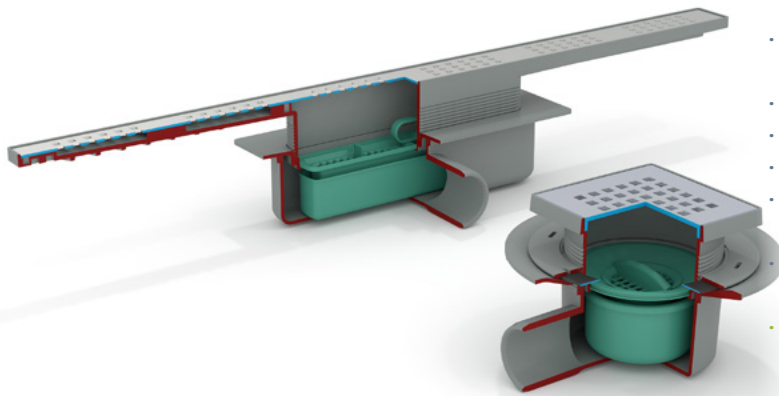


# Miniflow

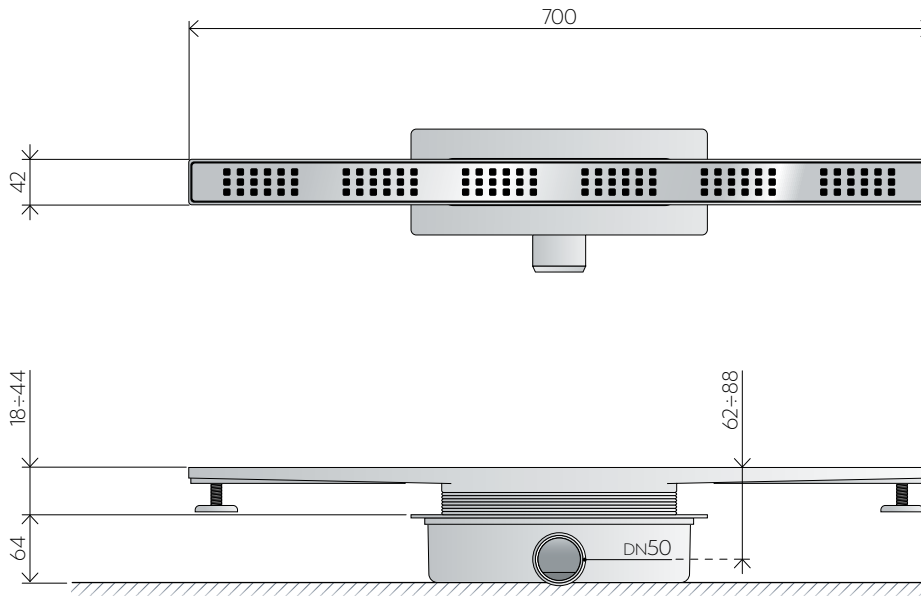
channel and floor drain for built-in shower

**single size, linear or square shaped**

- AISI 316 stainless steel linear grid (art. 963.106.8) or squared in chrome plated metal (art. 971.101.8)
- perimetric waterproofing
- water trap removable for maintenance
- ABS lateral outlet DN50
- tiling thickness 18÷44 mm (linear model 963.106.8) or 12÷55 mm (squared model art. 971.101.8)
- under floor encumbrance H. 64 mm (linear model 963.106.8) or H. 72 mm (squared model art. 971.101.8)
- also available with grid covering plastic frame





35 mm 39 l/min 1 pcs.

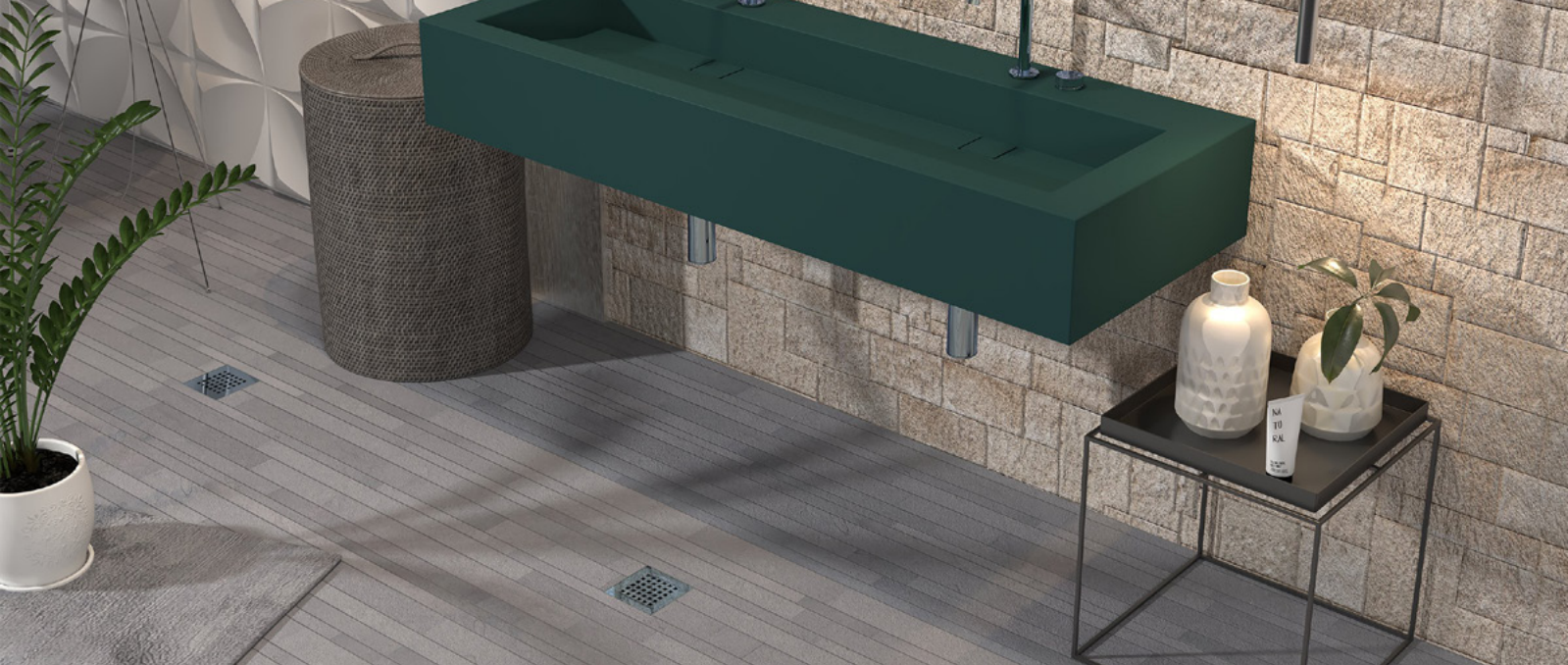


**Miniflow 963**      measure      packaging      category

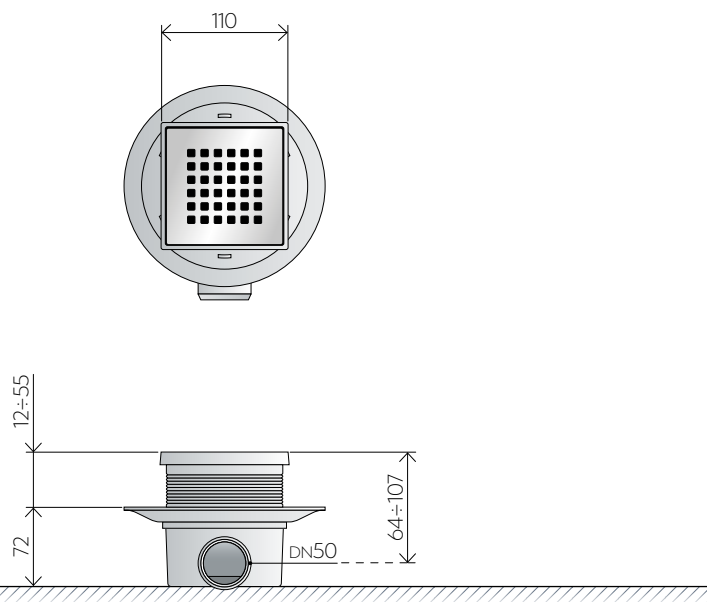
- tiling thickness      18÷44 mm
- under floor encumbrance      64 mm
- ABS lateral outlet      DN50
- water trap

	SQUARES	<b>963.106.8</b>	L. 700	1×box	14
	SQUARES C	<b>963.106.8.C</b>	L. 700	1×box	14





 35 mm
  36 l/min
  1 pcs.



**Miniflow Q**

**971**

measure

packaging

category

- tiling thickness 12±55 mm
- under floor encumbrance 72 mm
- ABS lateral outlet DN50
- water trap



SQUARES

**971.101.8**

110×110

1×box / 4 (B)

14



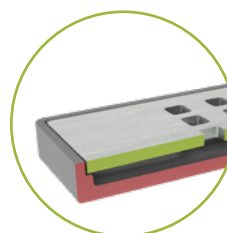
O KEY

**971.104.8.C**

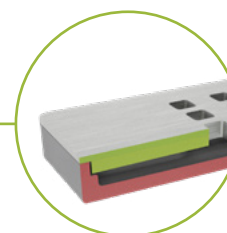
110×110

1×box / 4 (B)

14

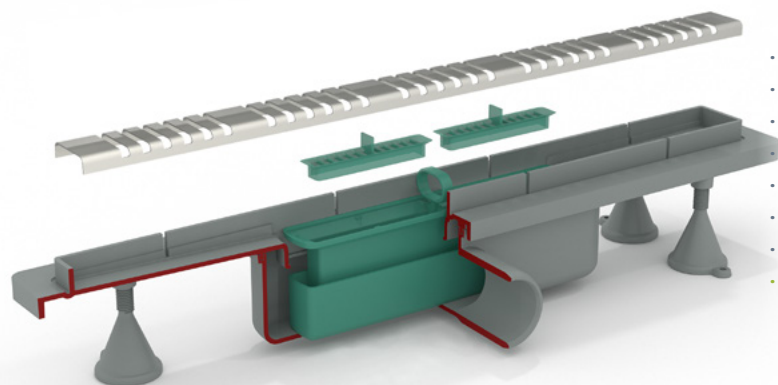


standard grid



grid covering plastic frame

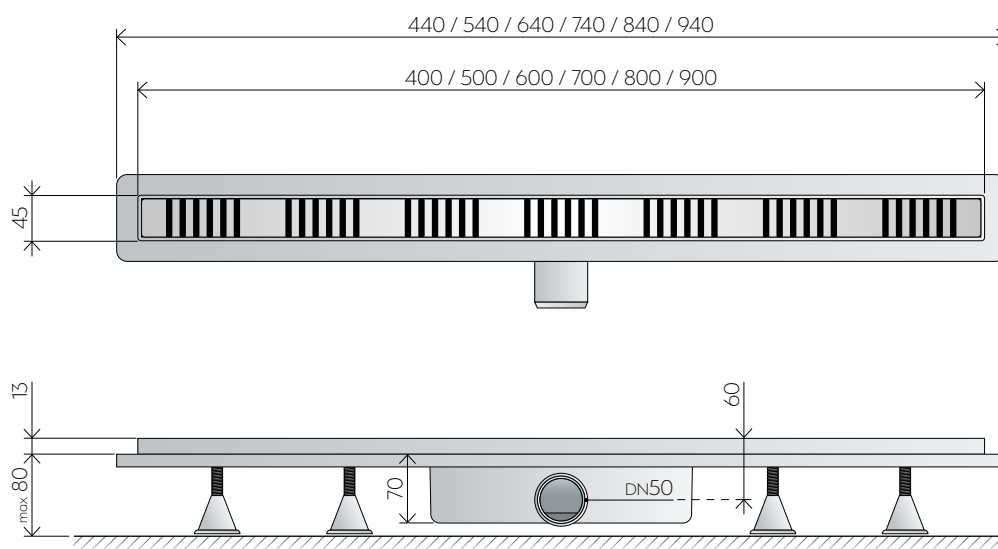


**entry-level with grated cover**

- AISI 316 stainless steel grid
- perimetric waterproofing
- water trap removable for maintenance
- dry-spot, drainage point for the water filtered through the flooring
- ABS lateral outlet DN50
- tiling thickness 13 mm (15 mm with covering grid)
- under floor encumbrance H. 70 mm
- also available with grid covering plastic frame



35 mm 39 l/min 1 pcs.

**Basicflow std****943**

measure

packaging

category

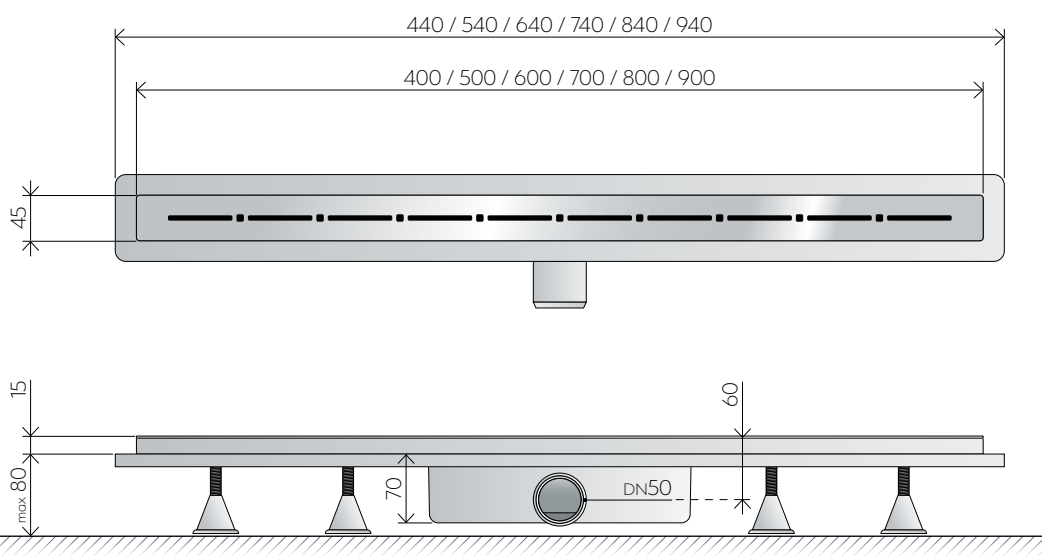
- tiling thickness 13 mm
- under floor encumbrance 70 mm
- ABS lateral outlet DN50
- water trap



943.506.8	L. 400	1×box	14
943.706.8	L. 500	1×box	14
943.806.8	L. 600	1×box	14
943.906.8	L. 700	1×box	14
943.206.8	L. 800	1×box	14
943.306.8	L. 900	1×box	14

**NOTES / COMMON FEATURES**

1. dry-spot: drainage point for the water filtered through the flooring
2. standard package complete with grid, siphoning and perimetric waterproofing
3. all grids/covers are made in stainless steel AISI 316
4. adjusting supports to ease the installation



**Basicflow line**

**943**

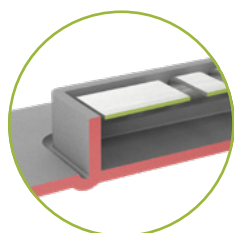
measure

packaging

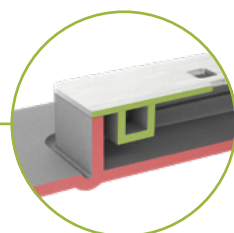
category

- tiling thickness 15 mm
- under floor encumbrance 70 mm
- ABS lateral outlet DN50
- water trap

943.504.8.C	L. 400	1×box	14	✱
943.704.8.C	L. 500	1×box	14	✱
943.804.8.C	L. 600	1×box	14	✱
943.904.8.C	L. 700	1×box	14	✱
943.204.8.C	L. 800	1×box	14	✱
943.304.8.C	L. 900	1×box	14	✱



standard grid



grid covering plastic frame

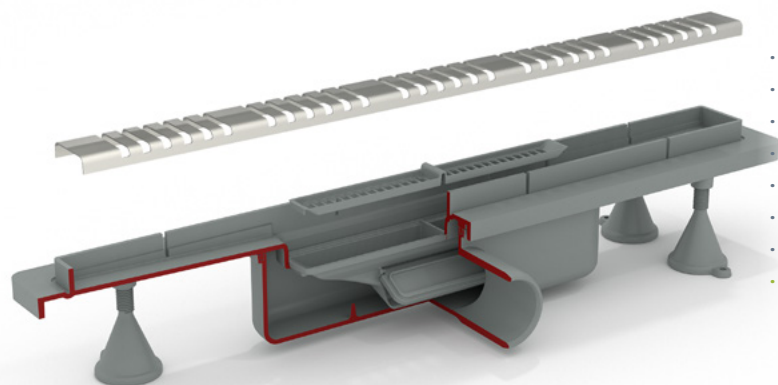


# Basicflow dry trap

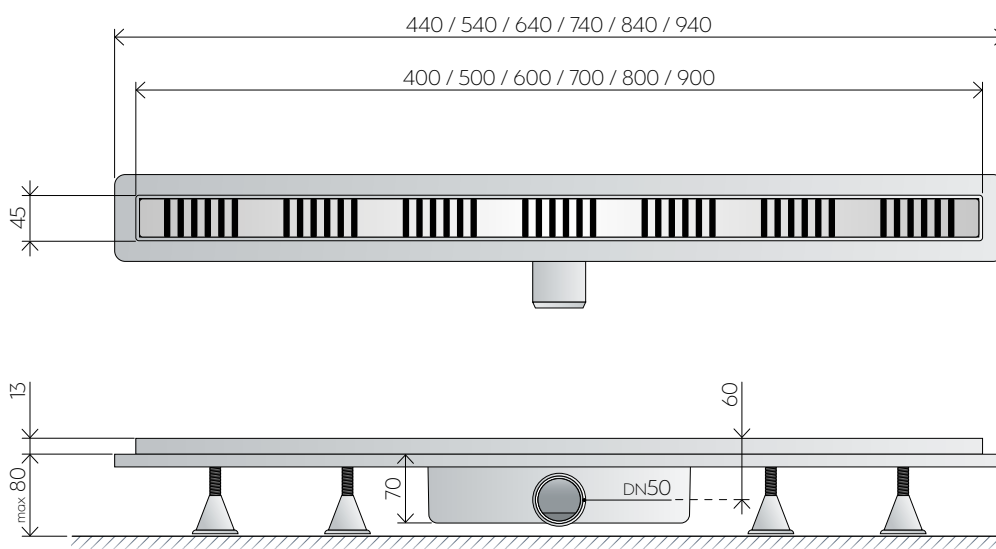
channel for built-in shower

## entry-level with grated cover and dry trap

- AISI 316 stainless steel grid
- perimetric waterproofing
- dry trap removable for maintenance
- dry-spot, drainage point for the water filtered through the flooring
- ABS lateral outlet DN50
- tiling thickness 13 mm (15 mm with covering grid)
- under floor encumbrance H. 70 mm
- also available with grid covering plastic frame



39 l/min 1 pcs.



### Basicflow std / dry trap



### 943

measure

packaging

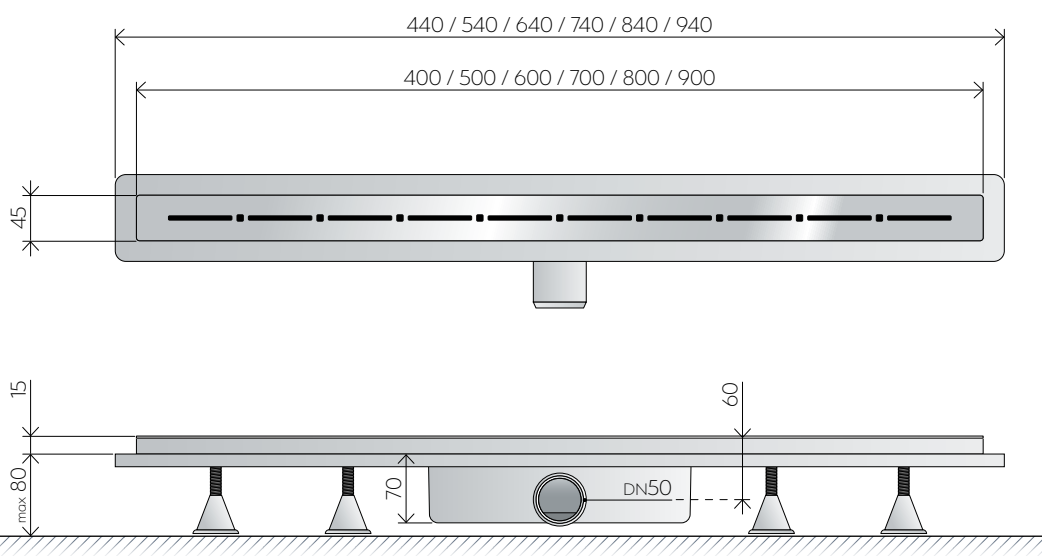
category

- tiling thickness 13 mm
- under floor encumbrance 70 mm
- ABS lateral outlet DN50
- dry trap

943.576.8	L. 400	1xbox	14	new
943.776.8	L. 500	1xbox	14	new
943.876.8	L. 600	1xbox	14	new
943.976.8	L. 700	1xbox	14	new
943.276.8	L. 800	1xbox	14	new
943.376.8	L. 900	1xbox	14	new

#### NOTES / COMMON FEATURES

1. dry-spot: drainage point for the water filtered through the flooring
2. standard package complete with grid, siphoning and perimetric waterproofing
3. all grids/covers are made in stainless steel AISI 316
4. adjusting supports to ease the installation



**Basicflow line / dry trap**

**943**

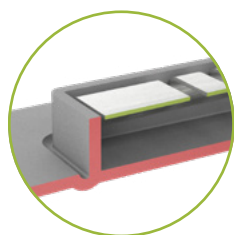
measure

packaging

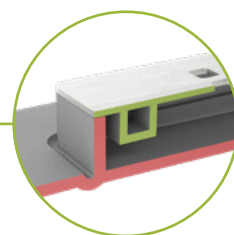
category

- tiling thickness 15 mm
- under floor encumbrance 70 mm
- ABS lateral outlet DN50
- dry trap

<b>943.574.8.C</b>	L. 400	1×box	14	new
<b>943.774.8.C</b>	L. 500	1×box	14	new
<b>943.874.8.C</b>	L. 600	1×box	14	new
<b>943.974.8.C</b>	L. 700	1×box	14	new
<b>943.274.8.C</b>	L. 800	1×box	14	new
<b>943.374.8.C</b>	L. 900	1×box	14	new

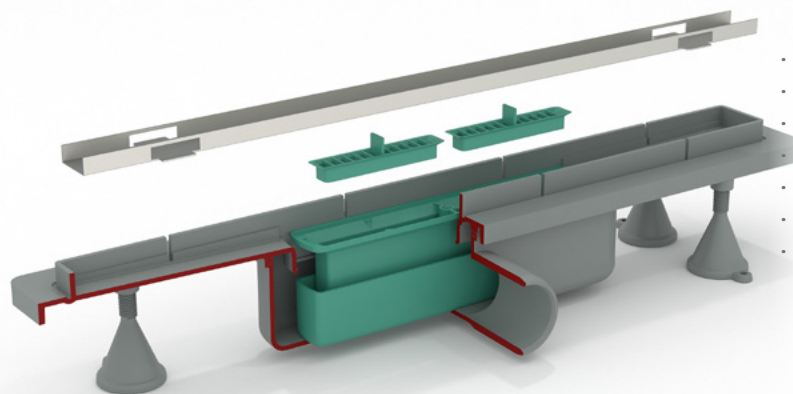


standard grid



grid covering plastic frame



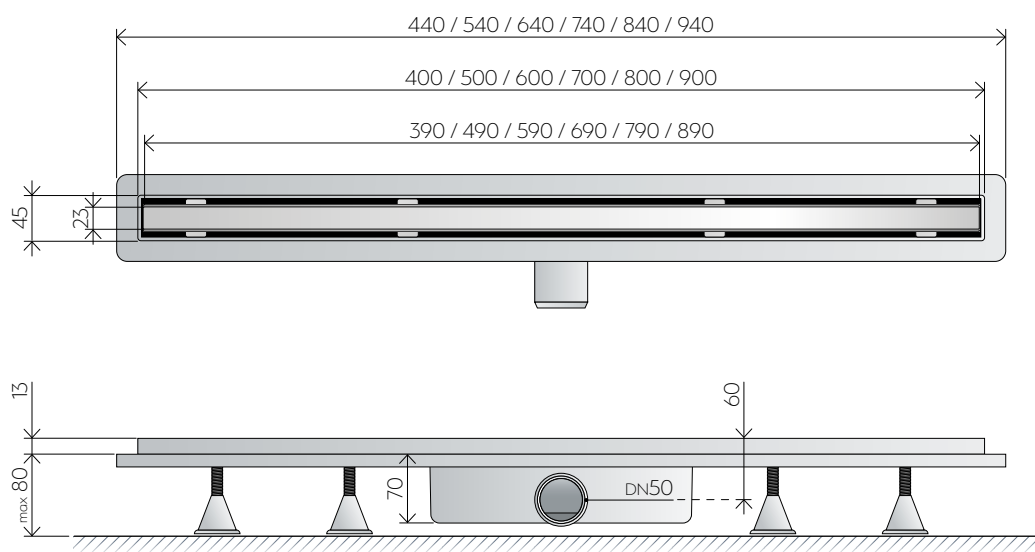


**entry-level with only tileable cover**

- AISI 316 stainless steel only tileable grid
- perimetric waterproofing
- trap removable for maintenance (available also with dry trap)
- dry-spot, drainage point for the water filtered through the flooring
- ABS lateral outlet DN50
- tiling thickness 13 mm
- under floor encumbrance H. 70 mm



35 mm 39 l/min 1 pcs.



Basicflow tileable

943

measure

packaging

category



- tiling thickness 13 mm
- under floor encumbrance 70 mm
- ABS lateral outlet DN50
- water trap

943.503.8	L. 400	1×box	14	new
943.703.8	L. 500	1×box	14	new
943.803.8	L. 600	1×box	14	new
943.903.8	L. 700	1×box	14	new
943.203.8	L. 800	1×box	14	new
943.303.8	L. 900	1×box	14	new



**Basicflow** tileable / dry trap

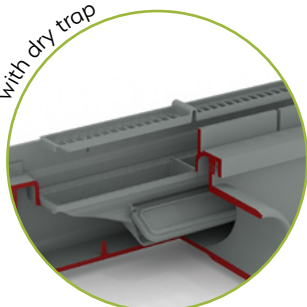


**943** measure    packaging    category

- tiling thickness 13 mm
- under floor encumbrance 70 mm
- ABS lateral outlet DN50
- dry trap

943.573.8	L. 400	1×box	14	new
943.773.8	L. 500	1×box	14	new
943.873.8	L. 600	1×box	14	new
943.973.8	L. 700	1×box	14	new
943.273.8	L. 800	1×box	14	new
943.373.8	L. 900	1×box	14	new

with dry trap



Tiling thickness inside cover 8 mm

**NOTES / COMMON FEATURES**

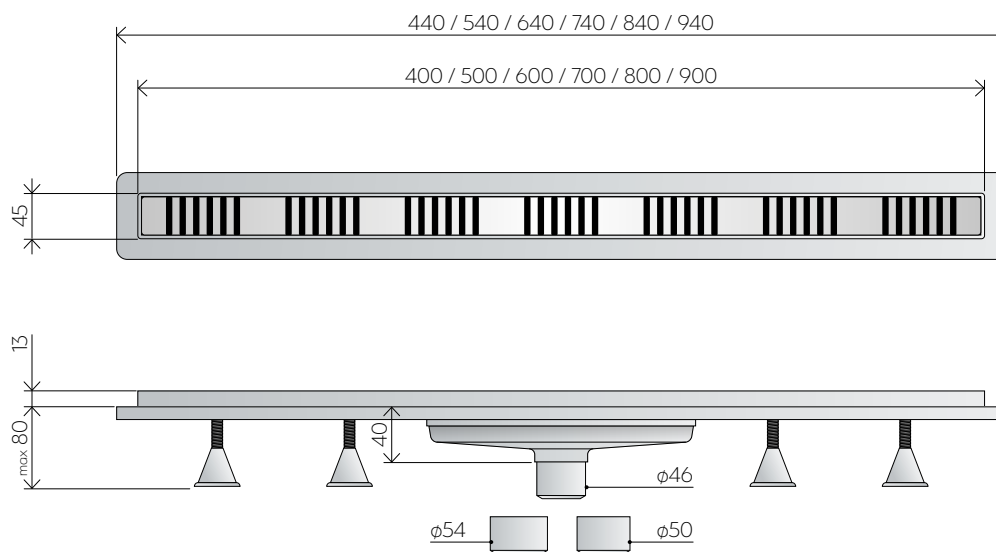
1. dry-spot: drainage point for the water filtered through the flooring
2. standard package complete with grid, siphoning and perimetric waterproofing
3. all grids/covers are made in stainless steel AISI 316
4. adjusting supports to ease the installation

**entry-level with grated cover and vertical outlet**

- AISI 316 stainless steel grid (available also tileable)
- perimetric waterproofing
- removable stainless steel catching-hair grid
- dry-spot, drainage point for the water filtered through the flooring
- ABS vertical outlet  $\phi 46$  + adaptors  $\phi 50/54$
- tiling thickness 13 mm
- under floor encumbrance H. 40 mm (supports excluded)



39 l/min 1 pcs.



Basicflow v.o.

**942**

measure

packaging

category

- tiling thickness 13 mm
- under floor encumbrance 40 mm
- ABS vertical outlet  $\phi 46/50/54$
- no trap

**942.506.8**

L. 400

1xbox

14

new

**942.706.8**

L. 500

1xbox

14

new

**942.806.8**

L. 600

1xbox

14

new

**942.906.8**

L. 700

1xbox

14

new

**942.206.8**

L. 800

1xbox

14

new

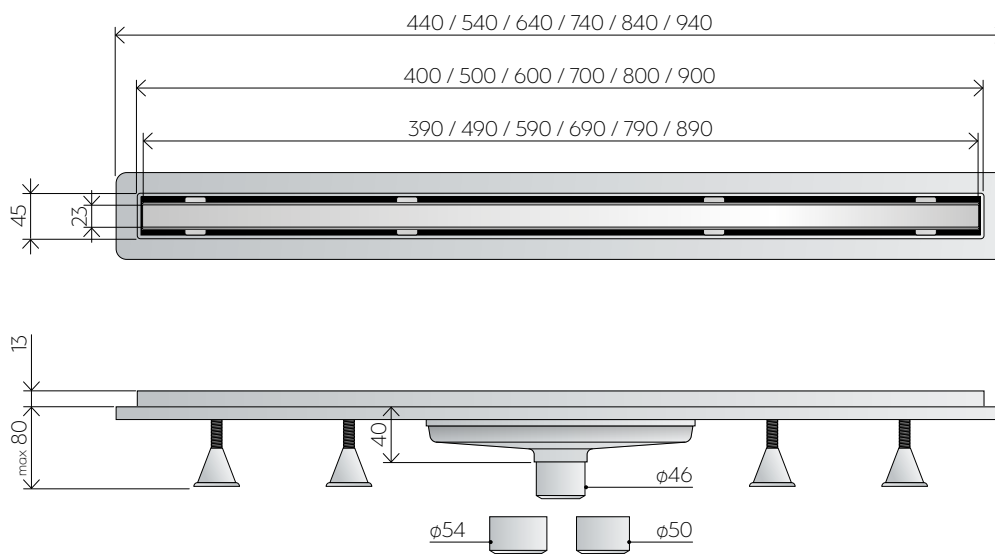
**942.306.8**

L. 900

1xbox

14

new



**Basicflow v.o. / tileable**

942	measure	packaging	category
- tiling thickness	13 mm		
- under floor encumbrance	40 mm		
- ABS vertical outlet	ø46/50/54		
- no trap			
<b>942.503.8</b>	L. 400	1×box	14 <span style="color: green;">new</span>
<b>942.703.8</b>	L. 500	1×box	14 <span style="color: green;">new</span>
<b>942.803.8</b>	L. 600	1×box	14 <span style="color: green;">new</span>
<b>942.903.8</b>	L. 700	1×box	14 <span style="color: green;">new</span>
<b>942.203.8</b>	L. 800	1×box	14 <span style="color: green;">new</span>
<b>942.303.8</b>	L. 900	1×box	14 <span style="color: green;">new</span>

Tiling thickness inside cover 8 mm

- NOTES / COMMON FEATURES**
1. dry-spot: drainage point for the water filtered through the flooring
  2. standard package complete with grid, and perimetric waterproofing
  3. all grids/covers are made in stainless steel AISI 316
  4. adjusting supports to ease the installation

# 4943

## Renova eko

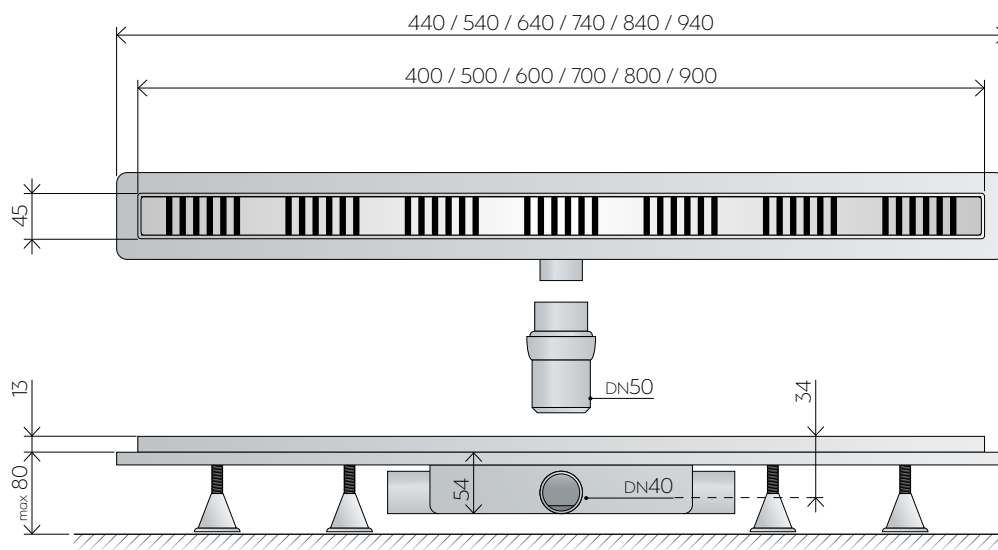
channel for built-in shower

### minimum encumbrance entry-level

- AISI 316 stainless steel grid (available also tileable)
- perimetric waterproofing
- water trap removable for maintenance
- dry-spot, drainage point for the water filtered through the flooring
- ABS lateral outlet DN40 with 2 additional outlets
- ABS jointed tailpiece DN50
- tiling thickness 13 mm
- under floor encumbrance H. 54 mm



35 mm 39 l/min 1 pcs.

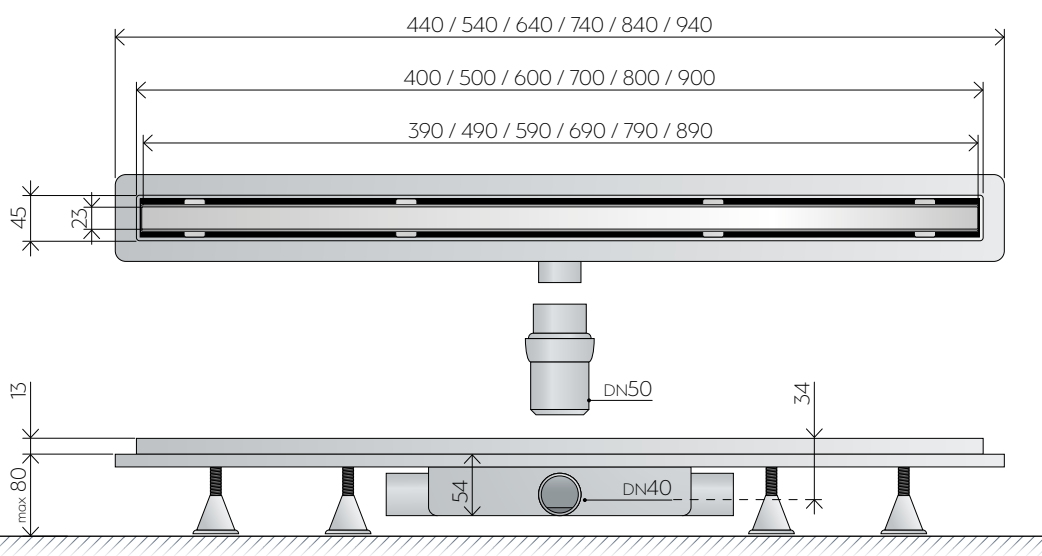


Renova eko **4943**      measure      packaging      category



- tiling thickness 13 mm
- under floor encumbrance 54 mm
- ABS lateral outlet DN40/50
- water trap

4943.506.8	L. 400	1×box	14	<span style="color: green;">new</span>
4943.706.8	L. 500	1×box	14	<span style="color: green;">new</span>
4943.806.8	L. 600	1×box	14	<span style="color: green;">new</span>
4943.906.8	L. 700	1×box	14	<span style="color: green;">new</span>
4943.206.8	L. 800	1×box	14	<span style="color: green;">new</span>
4943.306.8	L. 900	1×box	14	<span style="color: green;">new</span>



Renova eko tileble

4943

measure      packaging      category

- tiling thickness                      13 mm
- under floor encumbrance        54 mm
- ABS lateral outlet                  DN40/50
- water trap

4943.503.8	L. 400	1×box	14	new
4943.703.8	L. 500	1×box	14	new
4943.803.8	L. 600	1×box	14	new
4943.903.8	L. 700	1×box	14	new
4943.203.8	L. 800	1×box	14	new
4943.303.8	L. 900	1×box	14	new

 Tiling thickness inside cover 8 mm

- NOTES / COMMON FEATURES
1. dry-spot: drainage point for the water filtered through the flooring
  2. standard package complete with grid, siphoning and perimetric waterproofing
  3. all grids/covers are made in stainless steel AISI 316
  4. adjusting supports to ease the installation

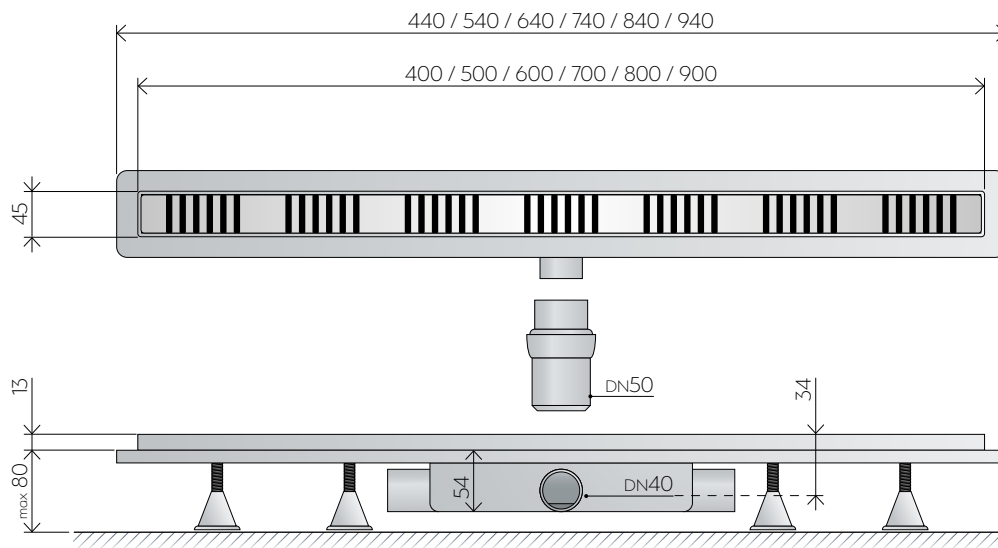
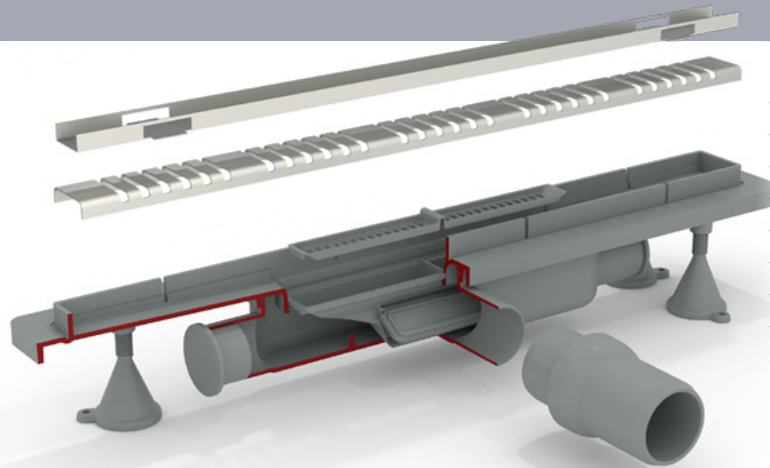
# 4943

## Renova eko dry trap

channel for built-in shower

### minimum encumbrance entry-level, with dry trap

- AISI 316 stainless steel grid (available also tileable)
- perimetric waterproofing
- dry trap removable for maintenance
- dry-spot, drainage point for the water filtered through the flooring
- ABS lateral outlet DN40 with 2 additional outlets
- ABS jointed tailpiece DN50
- tiling thickness 13 mm
- under floor encumbrance H. 54 mm



Renova eko / dry trap

**4943**

measure

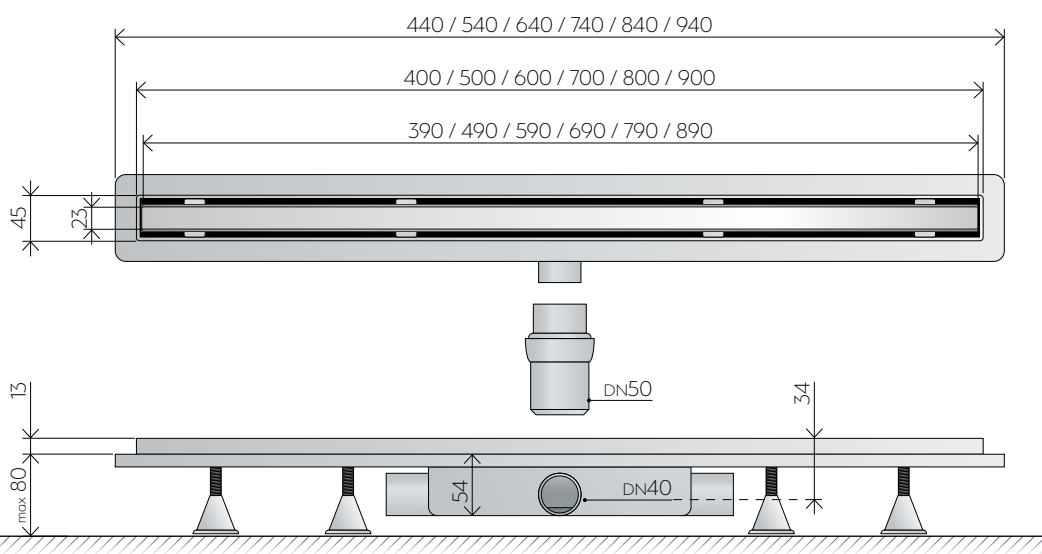
packaging

category



- tiling thickness 13 mm
- under floor encumbrance 54 mm
- ABS lateral outlet DN40/50
- dry trap

4943.576.8	L. 400	1×box	14	<span style="color: green;">new</span>
4943.776.8	L. 500	1×box	14	<span style="color: green;">new</span>
4943.876.8	L. 600	1×box	14	<span style="color: green;">new</span>
4943.976.8	L. 700	1×box	14	<span style="color: green;">new</span>
4943.276.8	L. 800	1×box	14	<span style="color: green;">new</span>
4943.376.8	L. 900	1×box	14	<span style="color: green;">new</span>



Renova eko tileble / dry trap

4943	measure	packaging	category
------	---------	-----------	----------

- tiling thickness 13 mm
- under floor encumbrance 54 mm
- ABS lateral outlet DN40/50
- dry trap

4943.573.8	L. 400	1xbox	14	new
4943.773.8	L. 500	1xbox	14	new
4943.873.8	L. 600	1xbox	14	new
4943.973.8	L. 700	1xbox	14	new
4943.273.8	L. 800	1xbox	14	new
4943.373.8	L. 900	1xbox	14	new

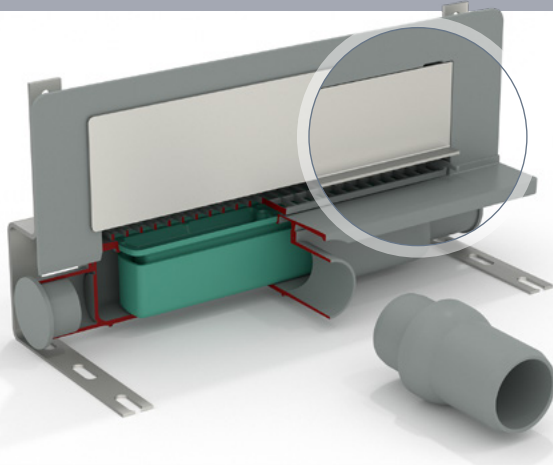
Tiling thickness inside cover 8 mm

- NOTES / COMMON FEATURES**
1. dry-spot: drainage point for the water filtered through the flooring
  2. standard package complete with grid, siphoning and perimetric waterproofing
  3. all grids/covers are made in stainless steel AISI 316
  4. adjusting supports to ease the installation



# Intramura

set for built-in shower

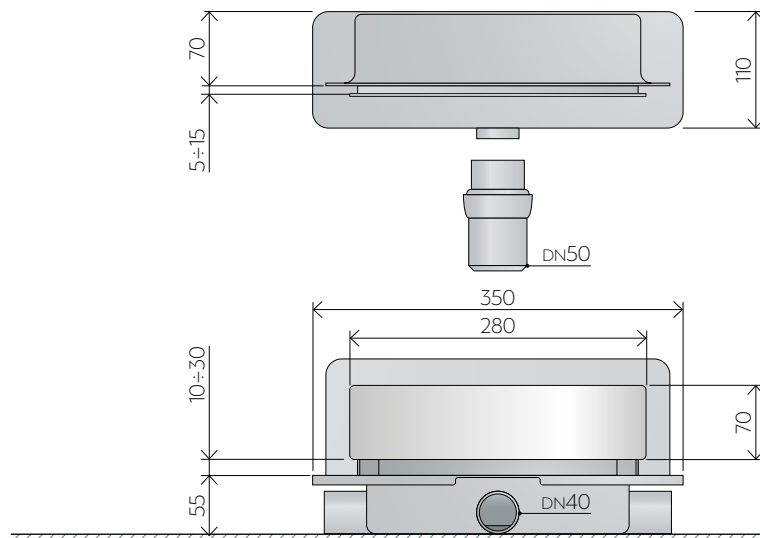


### for wall drain

- AISI 316 stainless steel cover adjustable for tiles thickness 5÷30 mm
- also available with only tileable version
- perimetric waterproofing
- water trap removable for maintenance
- adjustable supports to ease the installation
- dry-spot, drainage point for the water filtered through the flooring
- ABS lateral outlet DN40 with 2 additional outlets
- ABS jointed tailpiece DN50
- tiling thickness 10÷30 mm
- under floor encumbrance H. 55 mm



35 mm 27 l/min 1 pcs.



Intramura	975	measure	packaging	category
-----------	-----	---------	-----------	----------

- tiling thickness 10÷30 mm
- under floor encumbrance 55 mm
- ABS lateral outlet DN40/50
- water trap

std	975.101.8	L. 300	1×box	14	new
-----	-----------	--------	-------	----	-----

tileable	975.102.8	L. 300	1×box	14	new
----------	-----------	--------	-------	----	-----

### PVD SELECTION

model	gun metal	gold	copper
std	975.101.8.N	975.101.8.3	975.101.8.Q



# 2465 Odessa

new

trapped floor drain for built-in shower

### with water seal conform

- water seal conform, 50 mm
- s/steel AISI316 and frame adjustable in height
- tiltable cover 130×130 mm and orientable frame 150×150 mm
- perimetric waterproofing
- water trap removable for maintenance
- adjustable supports to ease the installation
- dry-spot, drainage point for the water filtered through the flooring
- ABS lateral outlet DN50
- tiling thickness 20÷40 mm
- under floor encumbrance H. 80 mm



50 mm



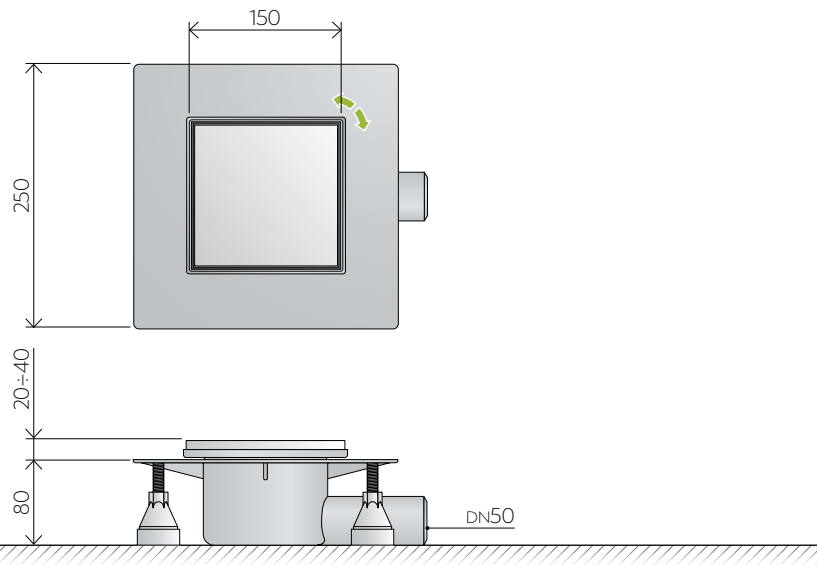
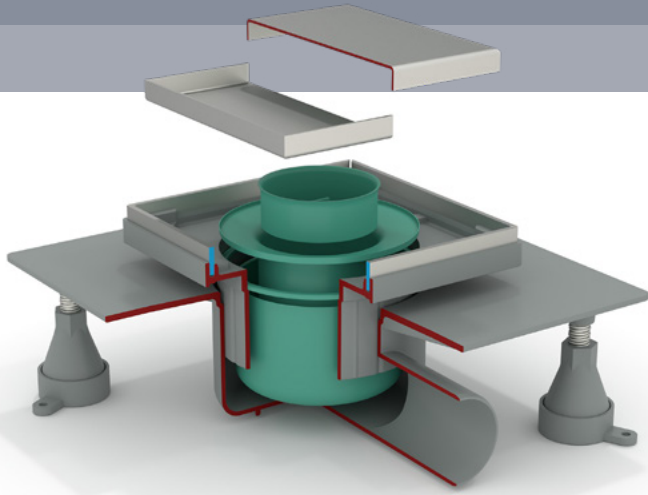
29 l/min



10 pcs.



EN 1253  
Conform



Odessa

2465

measure

packaging

category

- tiling thickness 20÷40 mm
- under floor encumbrance 80 mm
- ABS lateral outlet DN50
- water trap

2465.602.8

150×150

1×box / 4 (B)

13

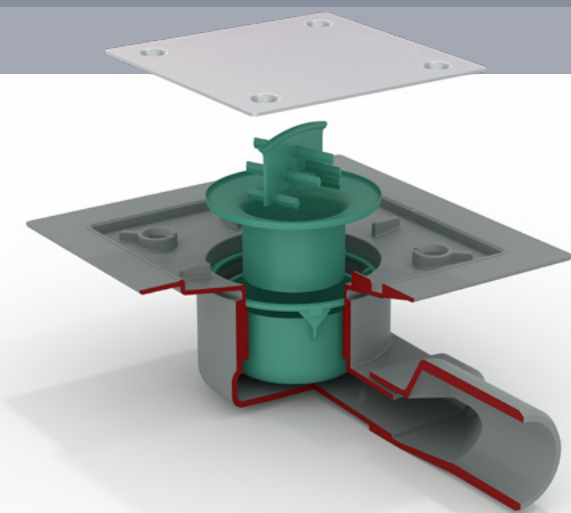
new



# 2665

## Tirana unseen

trapped floor drain for built-in shower



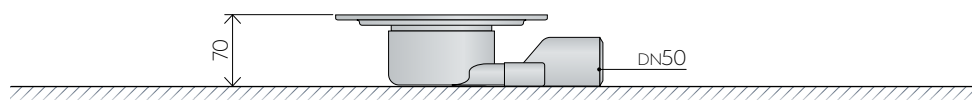
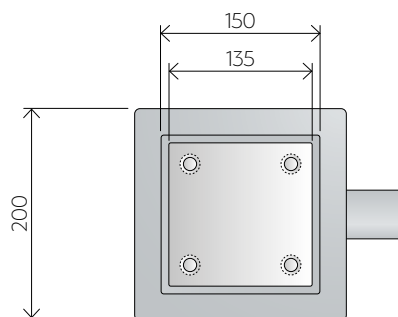
**completely invisible, all the visible parts of the drain have been removed**

- AISI316 stainless steel support for central tile
- perimetric waterproofing
- trap removable for maintenance (available also with dry trap)
- ABS lateral outlet DN50
- under floor encumbrance H. 70 mm



30 mm 31 l/min 10 pcs.

omptea.eu



Tirana unseen

**2665**

measure

packaging

category



- tiling thickness -
- under floor encumbrance 70 mm
- ABS lateral outlet DN50
- water trap

**2665.608.8**

150×150

1×box / 10 (C)

13

new



**COMPLETELY INVISIBLE**



The grid has no edges to contain the tile and there is not the traditional profile to delimit the water drainage slot: in this way all the visible parts of the drain have been removed and the result is a shower channels model in which only the water flow slot remains visible.



**Tirana** unseen

**2665**

measure

packaging

category



- tiling thickness -
- under floor encumbrance 70 mm
- ABS lateral outlet DN50
- dry trap

**2665.708.8**

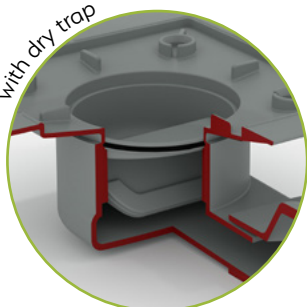
150×150

1×box / 10 (C)

13

new

with dry trap



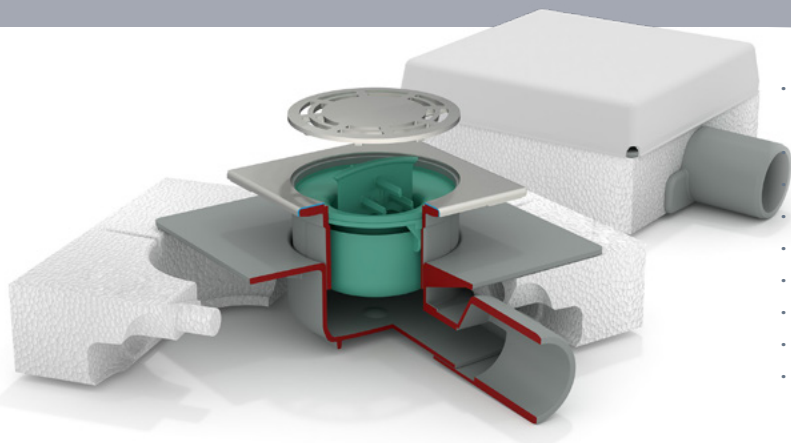
# 2755

## Tirana evo

trapped floor drain for built-in shower

### with reduced under floor encumbrance

- stainless steel AISI316 grid and frame adjustable in height and orientable relative to the outlet direction
- perimetric waterproofing
- trap removable for maintenance (available also with dry trap)
- EPS base for the trap housing and the soundproofing
- protection lid for construction site
- dry-spot, drainage point for the water filtered through the flooring
- ABS lateral outlet DN50
- tiling thickness 15÷30 mm (grated) or 25÷40 mm (tileable)
- under floor encumbrance H. 60 mm

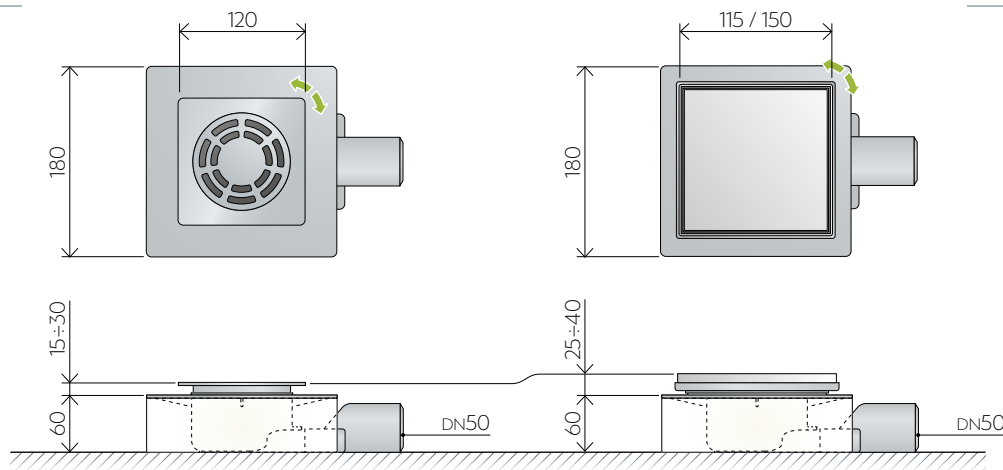






  
 30 mm 27 l/min 10 pcs.  
 grated



  
 30 mm 31 l/min 10 pcs.  
 tileable



Tirana evo	2755	measure	packaging	category
		- tiling thickness	15÷30 mm	
		- under floor encumbrance	60 mm	
		- ABS lateral outlet	DN50	
		- water trap		
standard	2755.401.8	120×120	1×box / 10 (C)	13 
design	2755.405.8	120×120	1×box / 10 (C)	13 
square	2755.406.8	120×120	1×box / 10 (C)	13 

	2755	measure	packaging	category
		- tiling thickness	25÷40 mm	
		- under floor encumbrance	60 mm	
		- ABS lateral outlet	DN50	
		- water trap		
tileable	2755.402.8	115×115	1×box / 10 (C)	13 
	2755.602.8	150×150	1×box / 10 (C)	13 



**Tirana evo / dry trap**



2755	measure	packaging	category
------	---------	-----------	----------

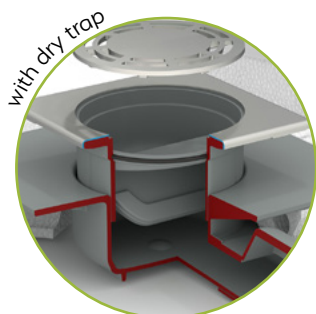
- tiling thickness **15÷30 mm**
- under floor encumbrance **60 mm**
- ABS lateral outlet **DN50**
- dry trap

standard	<b>2755.501.8</b>	120×120	1×box / 10 (C)	13	new
design	<b>2755.505.8</b>	120×120	1×box / 10 (C)	13	new
square	<b>2755.506.8</b>	120×120	1×box / 10 (C)	13	new

2755	measure	packaging	category
------	---------	-----------	----------

- tiling thickness **25÷40 mm**
- under floor encumbrance **60 mm**
- ABS lateral outlet **DN50**
- dry trap

	<b>2755.502.8</b>	115×115	1×box / 10 (C)	13	new
	<b>2755.702.8</b>	150×150	1×box / 10 (C)	13	new



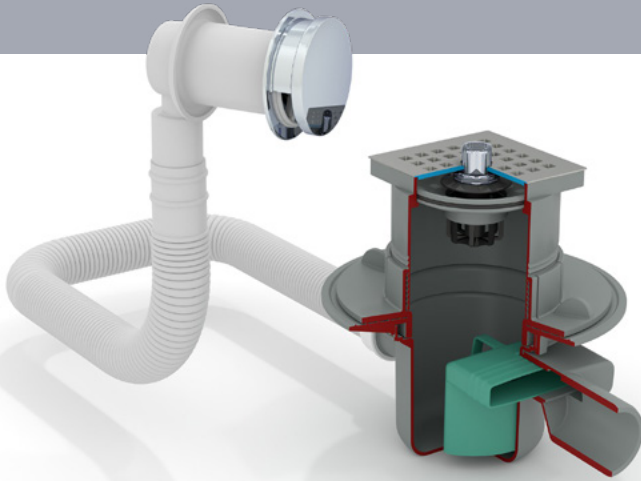
575

No limits ✓

floor drain

for concealed bathtub

- reinforced Clicker device to work with water column of max 450 mm
- the installation of overflow is easy and functional due to the possibility to cut the exceeding plastic protrusion, without compromising the final aesthetics
- AISI 316 stainless steel grid 100×100 mm
- perimetric waterproofing sheet delivered in PVC and in tech fabric for thin bed sealing system
- flexible overflow connection L. 1300 mm
- water trap removable for maintenance
- ABS lateral outlet DN50
- tiling thickness 40÷90 mm
- under floor encumbrance H. 110 mm







 EN 1253 Conform



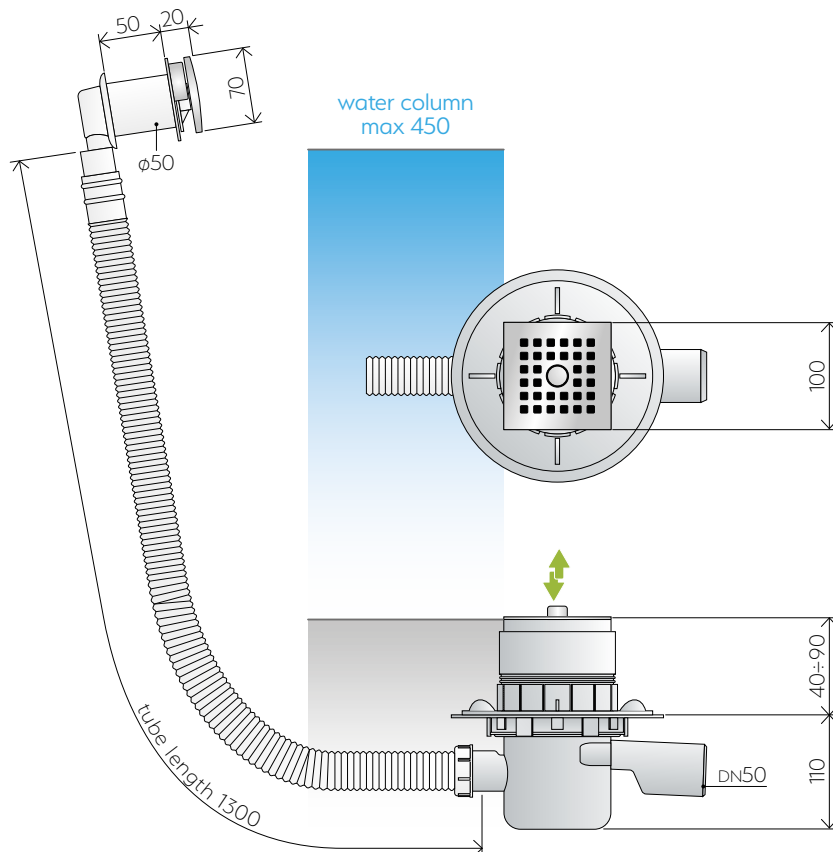
No limits ✓ **575**      measure      packaging      category

- tiling thickness      40÷90 mm
- under floor encumbrance      110 mm
- ABS lateral outlet      DN50
- water trap

without overflow	<b>575.511.8</b>	100×100	1×box / 4 (B)	14
with overflow	<b>575.611.8</b>	100×100	1×box	14

NOTES / WATERPROOFING

 The standard package provides both the usual PVC sheet and technical fabric for the thin bed waterproofing Deflow Tech 500 × 500 mm



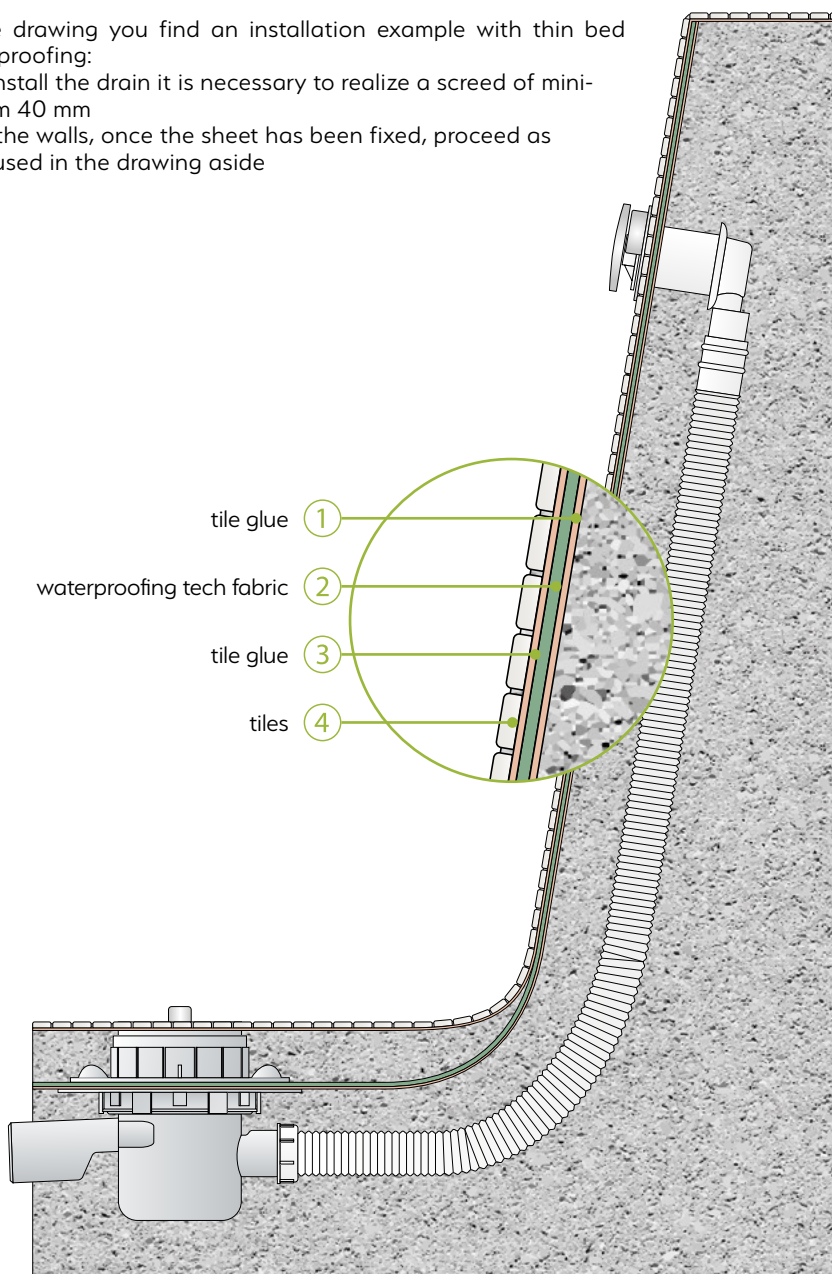


\* NOTES

The standard package provides both the usual PVC sheet and technical fabric for the thin bed waterproofing Deflow Tech 500 × 500 mm. This way you can choose which waterproofing system is to be installed being aware that the vertical walls cannot be waterproofed with the PVC sheet.

In the drawing you find an installation example with thin bed waterproofing:

- to install the drain it is necessary to realize a screed of minimum 40 mm
- for the walls, once the sheet has been fixed, proceed as focused in the drawing aside



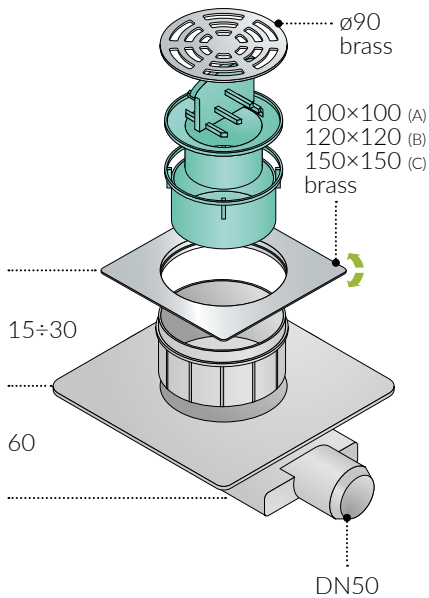
# 2665 + 2662

## Tirana

ABS trapped floor drain, with c.p. brass grid



- grid and orientable frame in c.p. brass, adjustable in height 15÷30 mm
- anti-infiltrations flange useful for waterproofing
- without waterproofing sheet
- water trap removable for maintenance
- dry-spot, drainage point for the water filtered through the flooring
- tiling thickness 15÷30 mm
- under floor encumbrance H. 60 mm



### a. 2665.291.8

- grid Standard c.p. brass
- frame ø100 c.p. brass
- outlet DN50 lateral ABS
- with water trap (removable)
- without waterproofing sheet

size  $\varnothing 100 \times \varnothing 50$  packaging 1×box / 10 (C) category 13

30 mm 27 l/min 10 pcs.



### b. 2665.491.8

- grid Standard c.p. brass
- frame ø120 c.p. brass
- outlet DN50 lateral ABS
- with water trap (removable)
- without waterproofing sheet

size  $\varnothing 120 \times \varnothing 50$  packaging 1×box / 10 (C) category 13

30 mm 27 l/min 10 pcs.

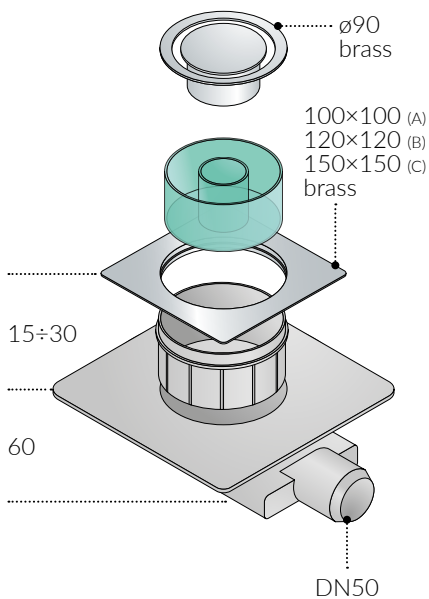


### c. 2665.691.8

- grid Standard c.p. brass
- frame ø150 c.p. brass
- outlet DN50 lateral ABS
- with water trap (removable)
- without waterproofing sheet

size  $\varnothing 150 \times \varnothing 50$  packaging 1×box / 10 (C) category 13

30 mm 27 l/min 10 pcs.



### a. 2665.295.8

- grid Design c.p. brass
- frame ø100 c.p. brass
- outlet DN50 lateral ABS
- with water trap (removable)
- without waterproofing sheet

size  $\varnothing 100 \times \varnothing 50$  packaging 1×box / 10 (C) category 13

30 mm 24 l/min 10 pcs.



### b. 2665.495.8

- grid Design c.p. brass
- frame ø120 c.p. brass
- outlet DN50 lateral ABS
- with water trap (removable)
- without waterproofing sheet

size  $\varnothing 120 \times \varnothing 50$  packaging 1×box / 10 (C) category 13

30 mm 24 l/min 10 pcs.



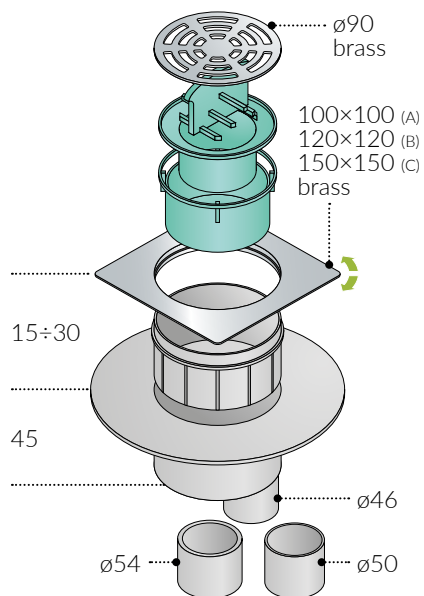
### c. 2665.695.8

- grid Design c.p. brass
- frame ø150 c.p. brass
- outlet DN50 lateral ABS
- with water trap (removable)
- without waterproofing sheet

size  $\varnothing 150 \times \varnothing 50$  packaging 1×box / 10 (C) category 13

30 mm 24 l/min 10 pcs.

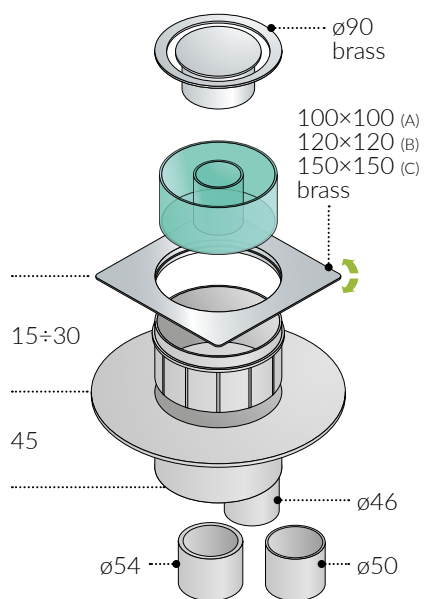




a. 2662.291.8	size	packaging	category
<ul style="list-style-type: none"> <li>- grid Standard c.p. brass</li> <li>- frame <math>\varnothing 100</math> c.p. brass</li> <li>- outlet <math>\varnothing 46</math> vertical ABS adaptor <math>\varnothing 50/54</math> ABS</li> <li>- with water trap (removable)</li> <li>- without waterproofing sheet</li> </ul>	$\varnothing 100 \times \varnothing 50$	1xbox / 10 (C)	13
		30 mm 20 l/min 10 pcs.	

b. 2662.491.8	size	packaging	category
<ul style="list-style-type: none"> <li>- grid Standard c.p. brass</li> <li>- frame <math>\varnothing 120</math> c.p. brass</li> <li>- outlet <math>\varnothing 46</math> vertical ABS adaptor <math>\varnothing 50/54</math> ABS</li> <li>- with water trap (removable)</li> <li>- without waterproofing sheet</li> </ul>	$\varnothing 120 \times \varnothing 50$	1xbox / 10 (C)	13
		30 mm 20 l/min 10 pcs.	

c. 2662.691.8	size	packaging	category
<ul style="list-style-type: none"> <li>- grid Standard c.p. brass</li> <li>- frame <math>\varnothing 150</math> c.p. brass</li> <li>- outlet <math>\varnothing 46</math> vertical ABS adaptor <math>\varnothing 50/54</math> ABS</li> <li>- with water trap (removable)</li> <li>- without waterproofing sheet</li> </ul>	$\varnothing 150 \times \varnothing 50$	1xbox / 10 (C)	13
		30 mm 20 l/min 10 pcs.	



a. 2662.295.8	size	packaging	category
<ul style="list-style-type: none"> <li>- grid Design c.p. brass</li> <li>- frame <math>\varnothing 100</math> c.p. brass</li> <li>- outlet <math>\varnothing 46</math> vertical ABS adaptor <math>\varnothing 50/54</math> ABS</li> <li>- with water trap (removable)</li> <li>- without waterproofing sheet</li> </ul>	$\varnothing 100 \times \varnothing 50$	1xbox / 10 (C)	13
		30 mm 24 l/min 10 pcs.	

b. 2662.495.8	size	packaging	category
<ul style="list-style-type: none"> <li>- grid Design c.p. brass</li> <li>- frame <math>\varnothing 120</math> c.p. brass</li> <li>- outlet <math>\varnothing 46</math> vertical ABS adaptor <math>\varnothing 50/54</math> ABS</li> <li>- with water trap (removable)</li> <li>- without waterproofing sheet</li> </ul>	$\varnothing 120 \times \varnothing 50$	1xbox / 10 (C)	13
		30 mm 24 l/min 10 pcs.	

c. 2662.695.8	size	packaging	category
<ul style="list-style-type: none"> <li>- grid Design c.p. brass</li> <li>- frame <math>\varnothing 150</math> c.p. brass</li> <li>- outlet <math>\varnothing 46</math> vertical ABS adaptor <math>\varnothing 50/54</math> ABS</li> <li>- with water trap (removable)</li> <li>- without waterproofing sheet</li> </ul>	$\varnothing 150 \times \varnothing 50$	1xbox / 10 (C)	13
		30 mm 24 l/min 10 pcs.	



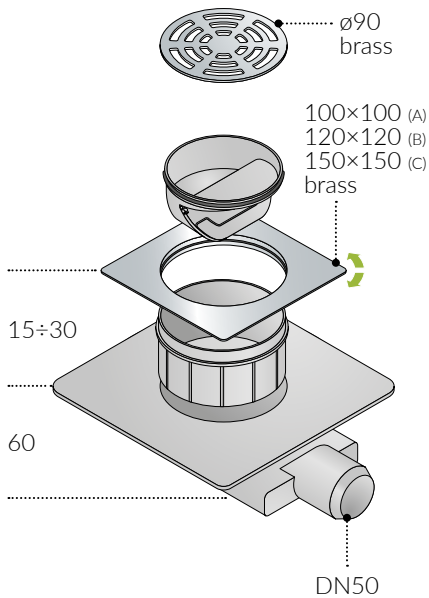
# 2665 + 2662

## Tirana dry trap

ABS trapped floor drain, with c.p. brass grid and dry trap



- grid and orientable frame in c.p. brass, adjustable in height 15÷30 mm
- anti-infiltrations flange useful for waterproofing
- without waterproofing sheet
- dry trap removable for maintenance
- dry-spot, drainage point for the water filtered through the flooring
- tiling thickness 15÷30 mm
- under floor encumbrance H. 60 mm



### a. 2665.391.8

- grid Standard c.p. brass
- frame  $\varnothing 100$  c.p. brass
- outlet DN50 lateral ABS
- with dry trap (removable)
- without waterproofing sheet

size  $\varnothing 100 \times \varnothing 50$   
 27 l/min 10 pcs.

packaging 1×box / 10 (C)

category 13



### b. 2665.591.8

- grid Standard c.p. brass
- frame  $\varnothing 120$  c.p. brass
- outlet DN50 lateral ABS
- with dry trap (removable)
- without waterproofing sheet

size  $\varnothing 120 \times \varnothing 50$   
 27 l/min 10 pcs.

packaging 1×box / 10 (C)

category 13



### c. 2665.791.8

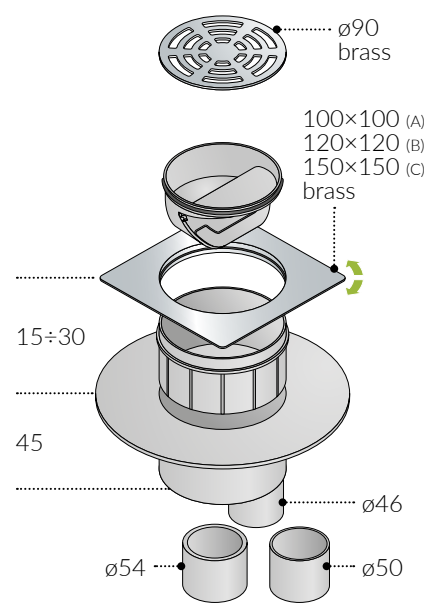
- grid Standard c.p. brass
- frame  $\varnothing 150$  c.p. brass
- outlet DN50 lateral ABS
- with dry trap (removable)
- without waterproofing sheet

size  $\varnothing 150 \times \varnothing 50$   
 27 l/min 10 pcs.

packaging 1×box / 10 (C)

category 13





**a. 2662.391.8**      size      packaging      category

- grid      Standard c.p. brass
- frame      ø100 c.p. brass
- outlet      ø46 vertical ABS
- adaptor      ø50/54 ABS
- with dry trap (removable)
- without waterproofing sheet

ø100 × ø50      1×box / 10 (C)

     20 l/min      10 pcs.



**b. 2662.591.8**      size      packaging      category

- grid      Standard c.p. brass
- frame      ø120 c.p. brass
- outlet      ø46 vertical ABS
- adaptor      ø50/54 ABS
- with dry trap (removable)
- without waterproofing sheet

ø120 × ø50      1×box / 10 (C)

     20 l/min      10 pcs.



**c. 2662.791.8**      size      packaging      category

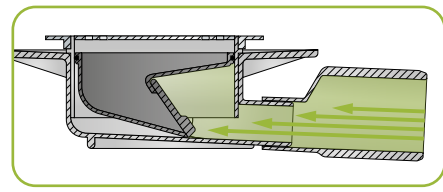
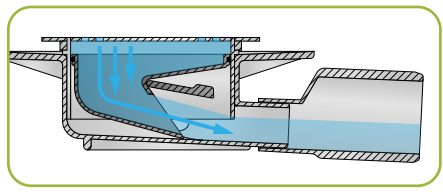
- grid      Standard c.p. brass
- frame      ø150 c.p. brass
- outlet      ø46 vertical ABS
- adaptor      ø50/54 ABS
- with dry trap (removable)
- without waterproofing sheet

ø150 × ø50      1×box / 10 (C)

     20 l/min      10 pcs.



**\* NOTES**



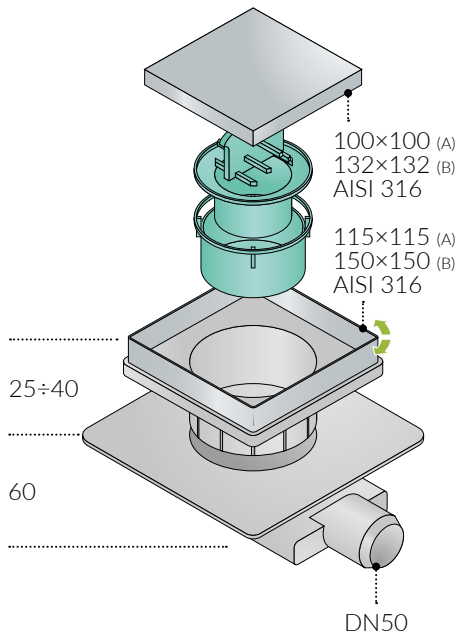
# 2665 + 2662

## Tirana tileable + tileable/dry-trap

ABS trapped floor drain, with s/steel AISI 316 tileable cover



- tileable cover and orientable frame in s/steel AISI 316, adjustable in height 25÷40 mm
- anti-infiltrations flange useful for waterproofing
- without waterproofing sheet
- trap removable for maintenance (available also with dry trap)
- dry-spot, drainage point for the water filtered through the flooring
- tiling thickness 25÷40 mm
- under floor encumbrance H. 60 mm

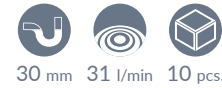


### a. 2665.492.8

- cover  $\varnothing$ 100 AISI 316 reversible tileable
- frame  $\varnothing$ 115 AISI 316
- outlet DN50 lateral ABS
- with water trap (removable)
- without waterproofing sheet

size packaging category

$\varnothing$ 115 x  $\varnothing$ 50 1×box / 10 (C) 13



30 mm 31 l/min 10 pcs.



PVD 2665.492.8.N 2665.492.8.3 2665.492.8.Q

### b. 2665.692.8

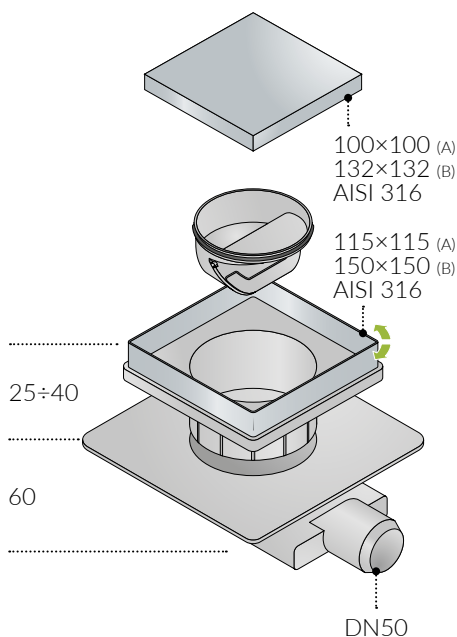
- cover  $\varnothing$ 132 AISI 316 reversible tileable
- frame  $\varnothing$ 150 AISI 316
- outlet DN50 lateral ABS
- with water trap (removable)
- without waterproofing sheet

size packaging category

$\varnothing$ 150 x  $\varnothing$ 50 1×box / 10 (C) 13



30 mm 31 l/min 10 pcs.

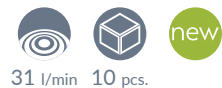


### a. 2665.592.8

- cover  $\varnothing$ 100 AISI 316 reversible tileable
- frame  $\varnothing$ 115 AISI 316
- outlet DN50 lateral ABS
- with dry trap (removable)
- without waterproofing sheet

size packaging category

$\varnothing$ 115 x  $\varnothing$ 50 1×box / 10 (C) 13



31 l/min 10 pcs.



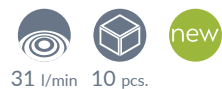
PVD 2665.592.8.N 2665.592.8.3 2665.592.8.Q

### b. 2665.792.8

- cover  $\varnothing$ 132 AISI 316 reversible tileable
- frame  $\varnothing$ 150 AISI 316
- outlet DN50 lateral ABS
- with dry trap (removable)
- without waterproofing sheet

size packaging category

$\varnothing$ 150 x  $\varnothing$ 50 1×box / 10 (C) 13



31 l/min 10 pcs.





**a. 2662.492.8**

- cover  $\varnothing 100$  AISI 316 reversible tileable
- frame  $\varnothing 115$  AISI 316
- outlet  $\varnothing 46$  vertical ABS adaptor  $\varnothing 50/54$  ABS
- with water trap (removable)
- without waterproofing sheet

size  $\varnothing 115 \times \varnothing 50$  packaging 1xbox / 10 (C) category 13

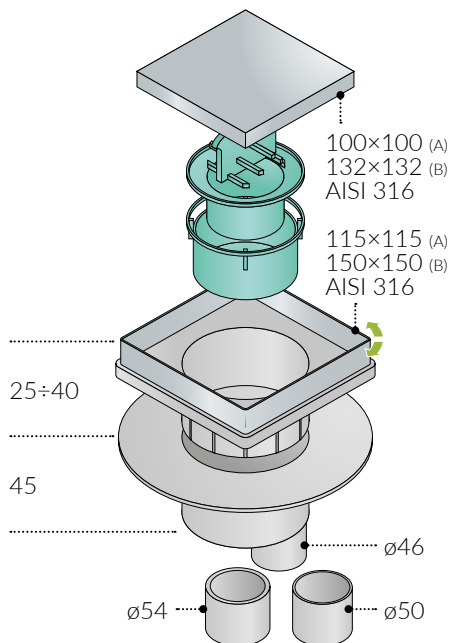


PVD 2662.492.8.N 2662.492.8.3 2662.492.8.Q

**b. 2662.692.8**

- cover  $\varnothing 132$  AISI 316 reversible tileable
- frame  $\varnothing 150$  AISI 316
- outlet  $\varnothing 46$  vertical ABS adaptor  $\varnothing 50/54$  ABS
- with water trap (removable)
- without waterproofing sheet

size  $\varnothing 150 \times \varnothing 50$  packaging 1xbox / 10 (C) category 13



**a. 2662.592.8**

- cover  $\varnothing 100$  AISI 316 reversible tileable
- frame  $\varnothing 115$  AISI 316
- outlet  $\varnothing 46$  vertical ABS adaptor  $\varnothing 50/54$  ABS
- with dry trap (removable)
- without waterproofing sheet

size  $\varnothing 115 \times \varnothing 50$  packaging 1xbox / 10 (C) category 13

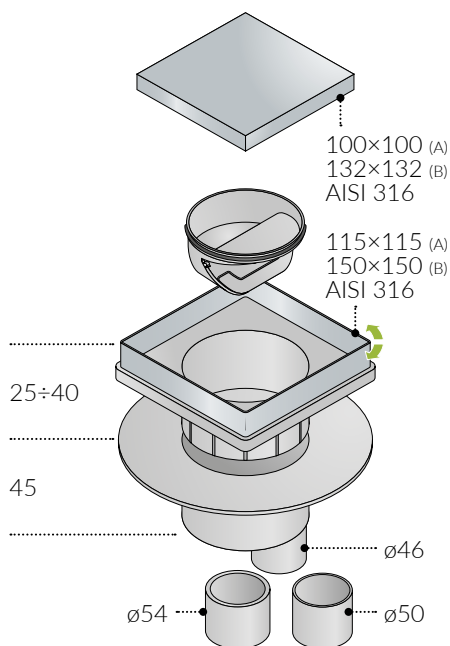


PVD 2662.592.8.N 2662.592.8.3 2662.592.8.Q

**b. 2662.792.8**

- cover  $\varnothing 132$  AISI 316 reversible tileable
- frame  $\varnothing 150$  AISI 316
- outlet  $\varnothing 46$  vertical ABS adaptor  $\varnothing 50/54$  ABS
- with dry trap (removable)
- without waterproofing sheet

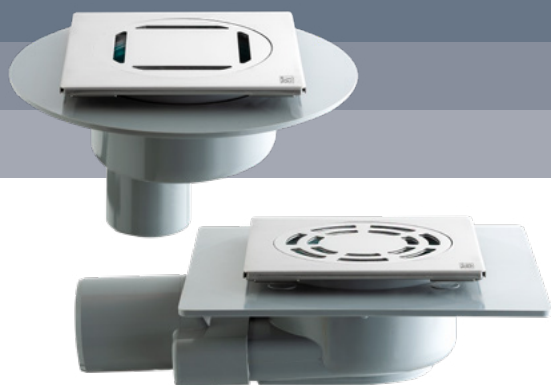
size  $\varnothing 150 \times \varnothing 50$  packaging 1xbox / 10 (C) category 13



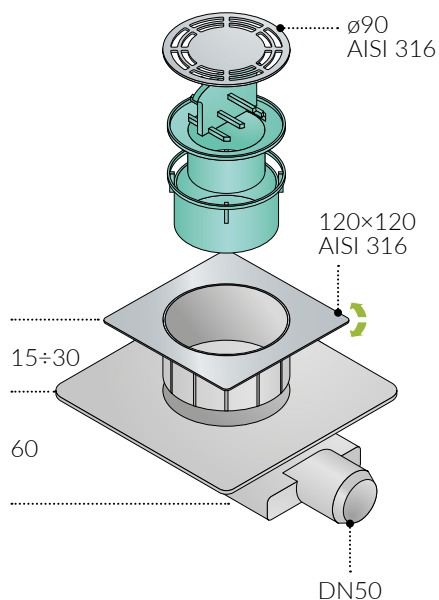
# 2655 + 2652

## Tirana steel + steel/dry-trap

ABS trapped floor drain, with s/steel AISI 316 grid



- grid and orientable frame in s/steel AISI 316, adjustable in height 15÷30 mm
- anti-infiltrations flange useful for waterproofing
- without waterproofing sheet
- trap removable for maintenance (available also with dry trap)
- dry-spot, drainage point for the water filtered through the flooring
- tiling thickness 15÷30 mm
- under floor encumbrance H. 60 mm



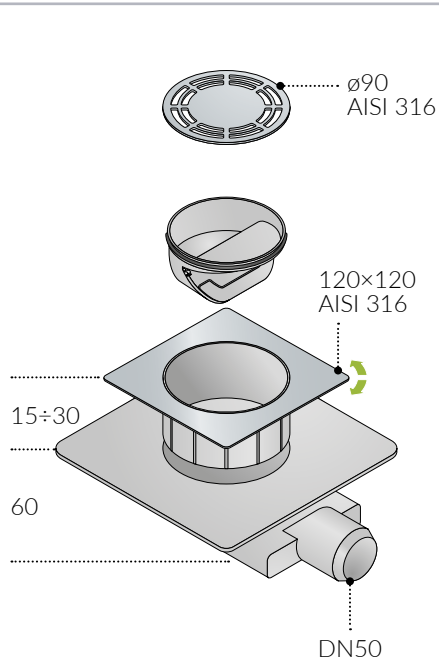
a.	2655.491.8	size	packaging	category
- grid	Standard AISI 316	∅120 × ∅50	1×box / 10 (C)	13
- frame	∅120 AISI 316			
- outlet	DN50 lateral ABS	  		
- with water trap (removable)		30 mm 27 l/min 10 pcs.		
- without waterproofing sheet				
PVD		2655.491.8.N	2655.491.8.3	2655.491.8.Q



b.	2655.495.8	size	packaging	category
- grid	Design AISI 316	∅120 × ∅50	1×box / 10 (C)	13
- frame	∅120 AISI 316			
- outlet	DN50 lateral ABS	  		
- with water trap (removable)		30 mm 27 l/min 10 pcs.		
- without waterproofing sheet				



c.	2655.496.8	size	packaging	category
- grid	Square AISI 316	∅120 × ∅50	1×box / 10 (C)	13
- frame	∅120 AISI 316			
- outlet	DN50 lateral ABS	  		
- with water trap (removable)		30 mm 27 l/min 10 pcs.		
- without waterproofing sheet				



a.	2655.591.8	size	packaging	category
- grid	Standard AISI 316	∅120 × ∅50	1×box / 10 (C)	13
- frame	∅120 AISI 316			
- outlet	DN50 lateral ABS	 		
- with dry trap (removable)		27 l/min 10 pcs.		
- without waterproofing sheet				
PVD		2655.591.8.N	2655.591.8.3	2655.591.8.Q

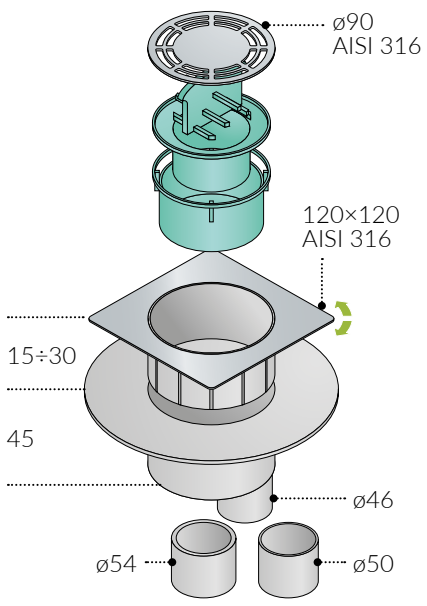


b.	2655.595.8	size	packaging	category
- grid	Design AISI 316	∅120 × ∅50	1×box / 10 (C)	13
- frame	∅120 AISI 316			
- outlet	DN50 lateral ABS	 		
- with dry trap (removable)		27 l/min 10 pcs.		
- without waterproofing sheet				



c.	2655.596.8	size	packaging	category
- grid	Square AISI 316	∅120 × ∅50	1×box / 10 (C)	13
- frame	∅120 AISI 316			
- outlet	DN50 lateral ABS	 		
- with dry trap (removable)		27 l/min 10 pcs.		
- without waterproofing sheet				





**a. 2652.491.8**

size	packaging	category
ø120 × ø50	1×box / 10 (C)	13

- grid Standard AISI 316
- frame ø120 AISI 316
- outlet ø46 vertical ABS
- adaptor ø50/54 ABS
- with water trap (removable)
- without waterproofing sheet

30 mm 20 l/min 10 pcs.

PVD 2652.491.8.N 2652.491.8.3 2652.491.8.Q

**b. 2652.495.8**

size	packaging	category
ø120 × ø50	1×box / 10 (C)	13

- grid Design AISI 316
- frame ø120 AISI 316
- outlet ø46 vertical ABS
- adaptor ø50/54 ABS
- with water trap (removable)
- without waterproofing sheet

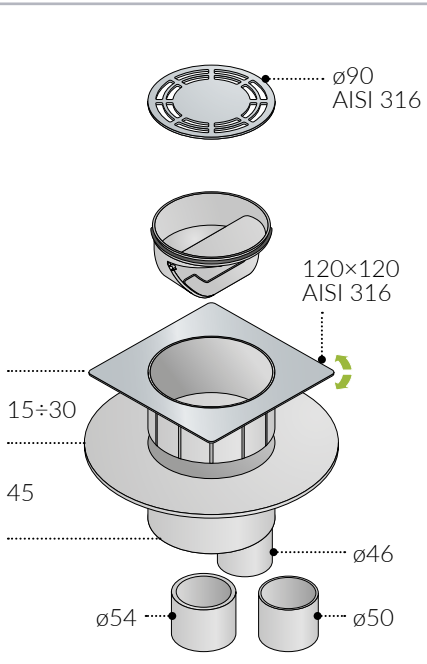
30 mm 20 l/min 10 pcs.

**c. 2652.496.8**

size	packaging	category
ø120 × ø50	1×box / 10 (C)	13

- grid Square AISI 316
- frame ø120 AISI 316
- outlet ø46 vertical ABS
- adaptor ø50/54 ABS
- with water trap (removable)
- without waterproofing sheet

30 mm 20 l/min 10 pcs.



**a. 2652.591.8**

size	packaging	category
ø120 × ø50	1×box / 10 (C)	13

- grid Standard AISI 316
- frame ø120 AISI 316
- outlet ø46 vertical ABS
- adaptor ø50/54 ABS
- with dry trap (removable)
- without waterproofing sheet

20 l/min 10 pcs.

PVD 2652.591.8.N 2652.591.8.3 2652.591.8.Q

**b. 2652.595.8**

size	packaging	category
ø120 × ø50	1×box / 10 (C)	13

- grid Design AISI 316
- frame ø120 AISI 316
- outlet ø46 vertical ABS
- adaptor ø50/54 ABS
- with dry trap (removable)
- without waterproofing sheet

20 l/min 10 pcs.

**c. 2652.596.8**

size	packaging	category
ø120 × ø50	1×box / 10 (C)	13

- grid Square AISI 316
- frame ø120 AISI 316
- outlet ø46 vertical ABS
- adaptor ø50/54 ABS
- with dry trap (removable)
- without waterproofing sheet

20 l/min 10 pcs.



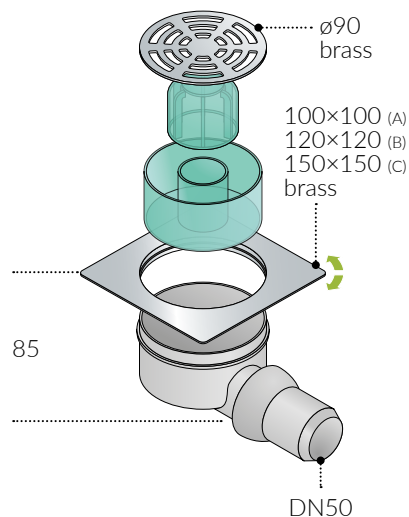
# 2565

## Kuala Lumpur

ABS trapped floor drain, with c.p. brass grid



- grid and orientable frame in c.p. brass
- no waterproofing predisposition
- water trap removable for maintenance
- ABS jointed lateral outlet DN50
- under floor encumbrance H. 85 mm



**a. 2565.201.8**      size      packaging      category

- grid Standard c.p. brass
- frame ø100 c.p. brass
- outlet DN50 lateral ABS
- with water trap (removable)
- without waterproofing predisposition

size: ø100 × ø50  
 packaging: 1×box / 16 (B)  
 category: 13

35 mm   23 l/min   16 pcs.



**b. 2565.401.8**      size      packaging      category

- grid Standard c.p. brass
- frame ø120 c.p. brass
- outlet DN50 lateral ABS
- with water trap (removable)
- without waterproofing predisposition

size: ø120 × ø50  
 packaging: 1×box / 16 (B)  
 category: 13

35 mm   23 l/min   16 pcs.

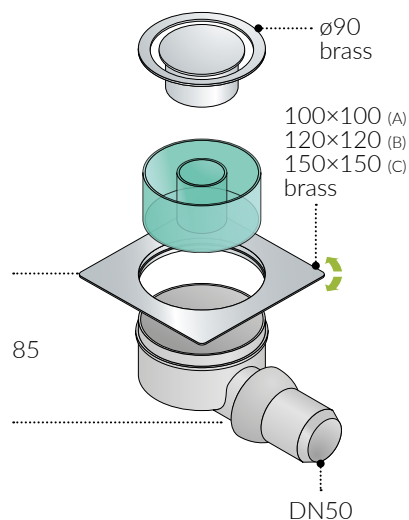


**c. 2565.901.8**      size      packaging      category

- grid Standard c.p. brass
- frame ø150 c.p. brass
- outlet DN50 lateral ABS
- with water trap (removable)
- without waterproofing predisposition

size: ø150 × ø50  
 packaging: 1×box / 12 (B)  
 category: 13

35 mm   23 l/min   12 pcs.



**a. 2565.251.8**      size      packaging      category

- grid Design c.p. brass
- frame ø100 c.p. brass
- outlet DN50 lateral ABS
- with water trap (removable)
- without waterproofing predisposition

size: ø100 × ø50  
 packaging: 1×box / 16 (B)  
 category: 13

35 mm   23 l/min   16 pcs.



**b. 2565.451.8**      size      packaging      category

- grid Design c.p. brass
- frame ø120 c.p. brass
- outlet DN50 lateral ABS
- with water trap (removable)
- without waterproofing predisposition

size: ø120 × ø50  
 packaging: 1×box / 16 (B)  
 category: 13

35 mm   23 l/min   16 pcs.



**c. 2565.951.8**      size      packaging      category

- grid Design c.p. brass
- frame ø150 c.p. brass
- outlet DN50 lateral ABS
- with water trap (removable)
- without waterproofing predisposition

size: ø150 × ø50  
 packaging: 1×box / 12 (B)  
 category: 13

35 mm   23 l/min   12 pcs.



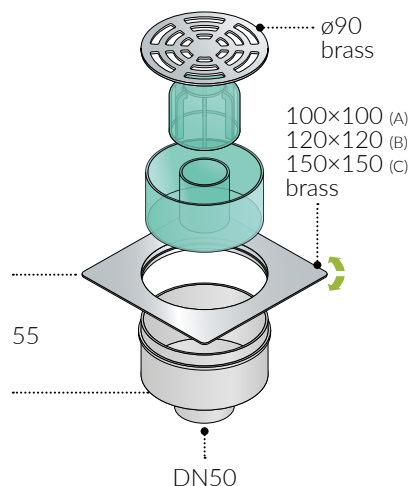
2562

## Manila

ABS trapped floor drain, with c.p. brass grid



- grid and orientable frame in c.p. brass
- no waterproofing predisposition
- water trap removable for maintenance
- ABS vertical outlet DN50
- under floor encumbrance H. 55 mm


**a. 2562.201.8**

- grid Standard c.p. brass
- frame  $\varnothing 100$  c.p. brass
- outlet DN50 vertical ABS
- with water trap (removable) without waterproofing predisposition

size	packaging	category
$\varnothing 100 \times \varnothing 50$	1×box / 16 (B)	13


**b. 2562.401.8**

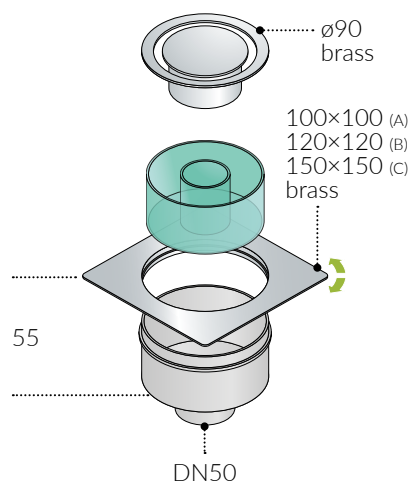
- grid Standard c.p. brass
- frame  $\varnothing 120$  c.p. brass
- outlet DN50 vertical ABS
- with water trap (removable) without waterproofing predisposition

size	packaging	category
$\varnothing 120 \times \varnothing 50$	1×box / 16 (B)	13


**c. 2562.901.8**

- grid Standard c.p. brass
- frame  $\varnothing 150$  c.p. brass
- outlet DN50 vertical ABS
- with water trap (removable) without waterproofing predisposition

size	packaging	category
$\varnothing 150 \times \varnothing 50$	1×box / 12 (B)	13


**a. 2562.251.8**

- grid Design c.p. brass
- frame  $\varnothing 100$  c.p. brass
- outlet DN50 vertical ABS
- with water trap (removable) without waterproofing predisposition

size	packaging	category
$\varnothing 100 \times \varnothing 50$	1×box / 16 (B)	13


**b. 2562.451.8**

- grid Design c.p. brass
- frame  $\varnothing 120$  c.p. brass
- outlet DN50 vertical ABS
- with water trap (removable) without waterproofing predisposition

size	packaging	category
$\varnothing 120 \times \varnothing 50$	1×box / 16 (B)	13


**c. 2562.951.8**

- grid Design c.p. brass
- frame  $\varnothing 150$  c.p. brass
- outlet DN50 vertical ABS
- with water trap (removable) without waterproofing predisposition

size	packaging	category
$\varnothing 150 \times \varnothing 50$	1×box / 12 (B)	13

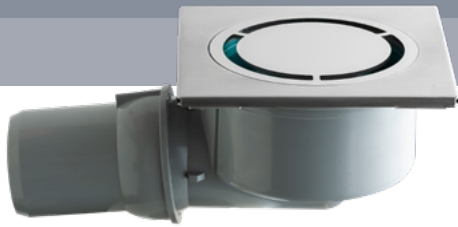


 Dry trap not compatible

# 2555

## Kuala Lumpur steel

ABS trapped floor drain, with s/steel AISI 316 grid



- grid and orientable frame in s/steel AISI 316
- no waterproofing predisposition
- water trap removable for maintenance
- ABS jointed lateral outlet DN50
- under floor encumbrance H. 85 mm

### a. 2555.401.8

size

packaging

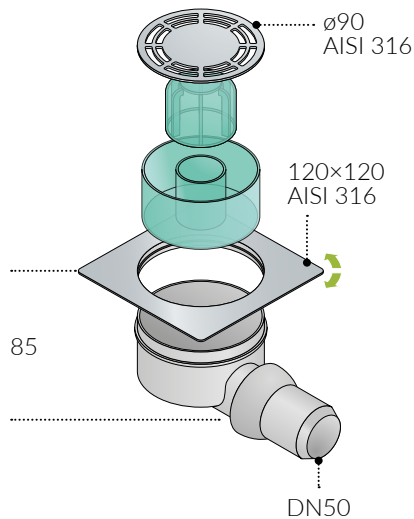
category

- grid Standard AISI 316
- frame  $\varnothing 120$  AISI 316
- outlet DN50 lateral ABS
- with water trap (removable) without waterproofing predisposition

$\varnothing 120 \times \varnothing 50$

1xbox / 16 (B)

13



### b. 2555.451.8

size

packaging

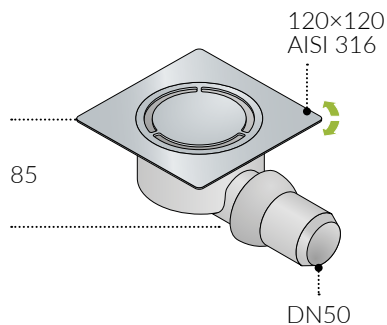
category

- grid Design AISI 316
- frame  $\varnothing 120$  AISI 316
- outlet DN50 lateral ABS
- with water trap (removable) without waterproofing predisposition

$\varnothing 120 \times \varnothing 50$

1xbox / 16 (B)

13



### c. 2555.461.8

size

packaging

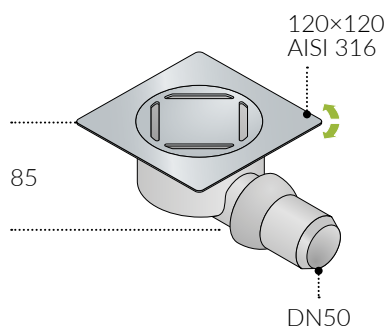
category

- grid Square AISI 316
- frame  $\varnothing 120$  AISI 316
- outlet DN50 lateral ABS
- with water trap (removable) without waterproofing predisposition

$\varnothing 120 \times \varnothing 50$

1xbox / 16 (B)

13



# 2552

## Manila steel

ABS trapped floor drain, with s/steel AISI 316 grid



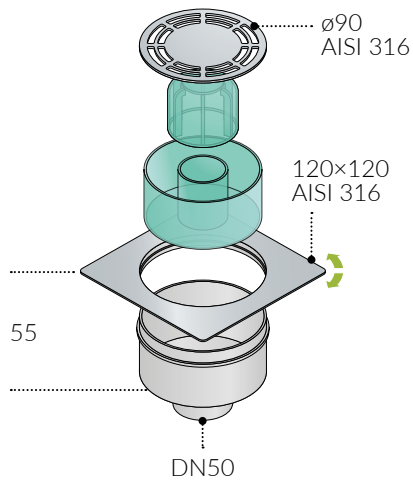
- grid and orientable frame in s/steel AISI 316
- no waterproofing predisposition
- water trap removable for maintenance
- ABS vertical outlet DN50
- under floor encumbrance H. 55 mm

**a. 2552.401.8**      size      packaging      category

- grid      Standard AISI 316
- frame       $\varnothing 120$  AISI 316
- outlet      DN50 vertical ABS
- with water trap (removable) without waterproofing predisposition

$\varnothing 120 \times \varnothing 50$       1×box / 16 (B)

13

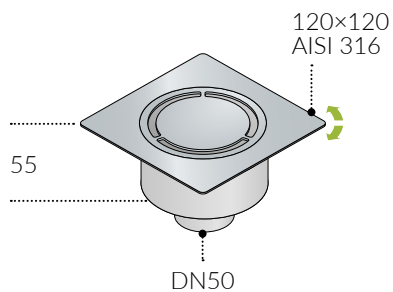


**b. 2552.451.8**      size      packaging      category

- grid      Design AISI 316
- frame       $\varnothing 120$  AISI 316
- outlet      DN50 vertical ABS
- with water trap (removable) without waterproofing predisposition

$\varnothing 120 \times \varnothing 50$       1×box / 16 (B)

13

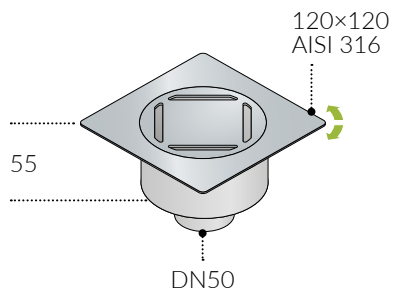


**c. 2552.461.8**      size      packaging      category

- grid      Square AISI 316
- frame       $\varnothing 120$  AISI 316
- outlet      DN50 vertical ABS
- with water trap (removable) without waterproofing predisposition

$\varnothing 120 \times \varnothing 50$       1×box / 16 (B)

13

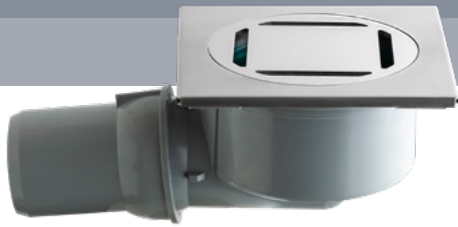


Dry trap not compatible

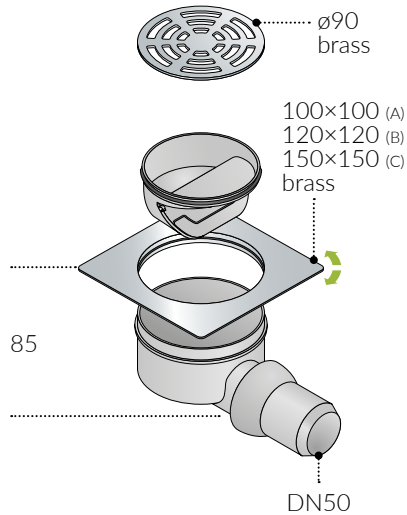
# 2565 + 2555

## Kuala Lumpur dry-trap

ABS trapped floor drain, with dry trap



- grid and orientable frame in c.p. brass or s/steel AISI 316
- no waterproofing predisposition
- dry trap removable for maintenance
- ABS jointed lateral outlet DN50
- under floor encumbrance H. 85 mm



### a. 2565.206.8

- grid Standard c.p. brass
- frame ø100 c.p. brass
- outlet DN50 lateral ABS
- with dry trap (removable) without waterproofing predisposition

size	packaging	category
ø100 × ø50	1×box / 16 (B)	13
23 l/min	16 pcs.	

### b. 2565.406.8

- grid Standard c.p. brass
- frame ø120 c.p. brass
- outlet DN50 lateral ABS
- with dry trap (removable) without waterproofing predisposition

size	packaging	category
ø120 × ø50	1×box / 16 (B)	13
23 l/min	16 pcs.	

### c. 2565.906.8

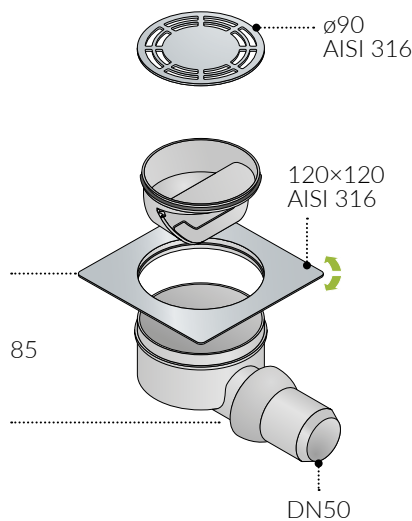
- grid Standard c.p. brass
- frame ø150 c.p. brass
- outlet DN50 lateral ABS
- with dry trap (removable) without waterproofing predisposition

size	packaging	category
ø150 × ø50	1×box / 12 (B)	13
23 l/min	12 pcs.	

### a. 2555.406.8

- grid Standard AISI 316
- frame ø120 AISI 316
- outlet DN50 lateral ABS
- with dry trap (removable) without waterproofing predisposition

size	packaging	category
ø120 × ø50	1×box / 16 (B)	13
23 l/min	16 pcs.	



### b. 2555.456.8

- grid Design AISI 316
- frame ø120 AISI 316
- outlet DN50 lateral ABS
- with dry trap (removable) without waterproofing predisposition

size	packaging	category
ø120 × ø50	1×box / 16 (B)	13
23 l/min	16 pcs.	

### c. 2555.466.8

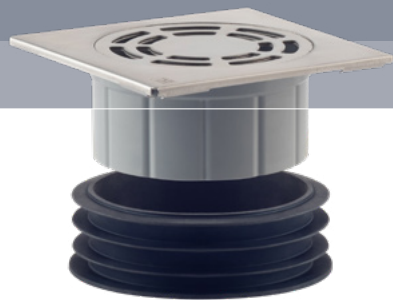
- grid Square AISI 316
- frame ø120 AISI 316
- outlet DN50 lateral ABS
- with dry trap (removable) without waterproofing predisposition

size	packaging	category
ø120 × ø50	1×box / 16 (B)	13
23 l/min	16 pcs.	

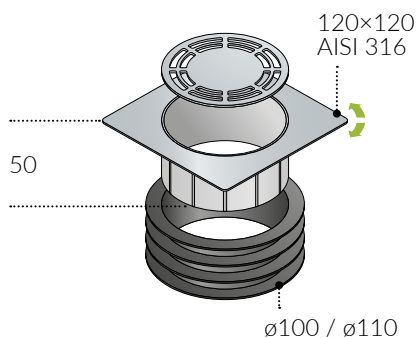
# 9977

## Kalamáta grated

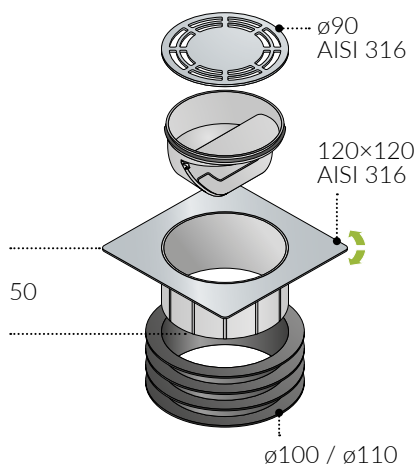
ABS floor drain, with s/steel AISI 316 grid



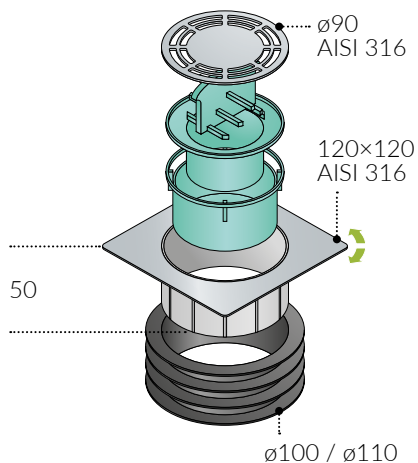
- universal gasket in EPDM to fit different pipes diameters, from  $\phi 100$  to  $\phi 110$  mm
- grid and orientable frame in s/steel AISI 316
- no waterproofing predisposition
- dry-spot, drainage point for the water filtered through the flooring
- height adjustment from 25 to 40 mm



a. 9977.491.9.S	size	packaging	category
<ul style="list-style-type: none"> <li>- without trap</li> <li>- universal gasket to fit pipes from <math>\phi 100</math> to <math>\phi 110</math> mm</li> <li>- grid Standard AISI 316</li> <li>- frame <math>\phi 120</math> AISI 316</li> </ul>	$\phi 120$ 16 pcs. <span style="color: green;">new</span>	1xbox / 16 (B)	13 



a. 9977.591.9.S	size	packaging	category
<ul style="list-style-type: none"> <li>- with dry trap (removable)</li> <li>- universal gasket to fit pipes from <math>\phi 100</math> to <math>\phi 110</math> mm</li> <li>- grid Standard AISI 316</li> <li>- frame <math>\phi 120</math> AISI 316</li> </ul>	$\phi 120$ 16 pcs. <span style="color: green;">new</span>	1xbox / 16 (B)	13 



a. 9977.411.9.S	size	packaging	category
<ul style="list-style-type: none"> <li>- with water trap (removable)</li> <li>- universal gasket to fit pipes from <math>\phi 100</math> to <math>\phi 110</math> mm</li> <li>- grid Standard AISI 316</li> <li>- frame <math>\phi 120</math> AISI 316</li> </ul>	$\phi 120$ 30 mm  16 pcs. <span style="color: green;">new</span>	1xbox / 16 (B)	13 



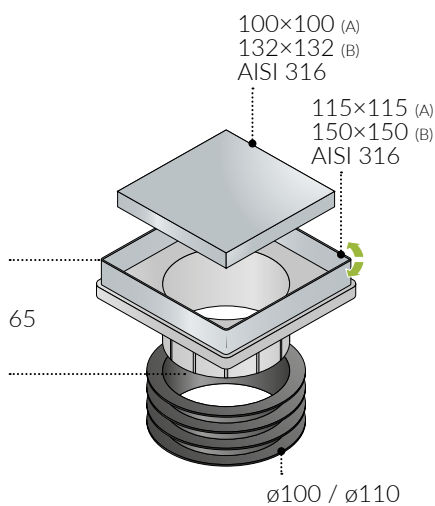
# Kalamáta tileable

ABS floor drain, with s/steel AISI 316 tileable cover



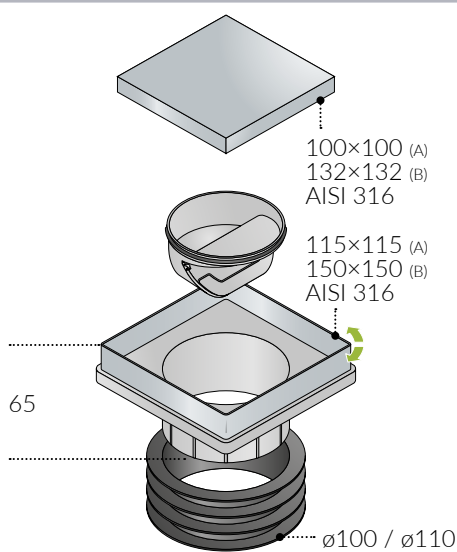
- universal gasket in EPDM to fit different pipes diameters, from  $\phi 100$  to  $\phi 110$  mm
- tileable cover and orientable frame in s/steel AISI 316
- no waterproofing predisposition
- dry-spot, drainage point for the water filtered through the flooring
- height adjustment from 25 to 40 mm

omptea.eu



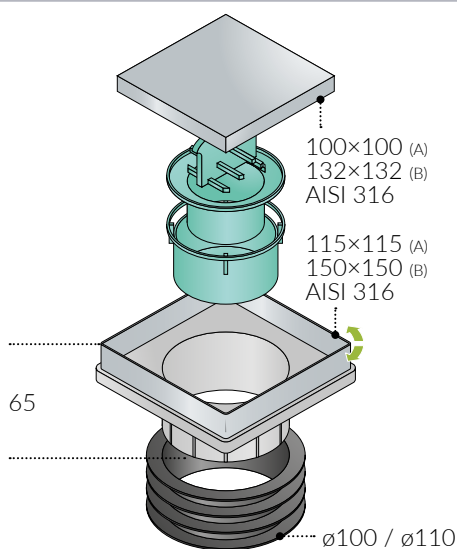
a.	9977.492.9	size	packaging	category
-	without trap	$\phi 115$	1xbox / 16 (B)	13
-	universal gasket to fit pipes from $\phi 100$ to $\phi 110$ mm	new		
-	cover $\phi 100$ AISI 316 reversible tileable	10 pcs.		
-	frame $\phi 115$ AISI 316			
		<div style="display: flex; justify-content: space-between;"> <span>PVD 9977.492.9.N</span> <span>9977.492.9.3</span> <span>9977.492.9.Q</span> </div>		

b.	9977.692.9	size	packaging	category
-	without trap	$\phi 150$	1xbox / 12 (B)	13
-	universal gasket to fit pipes from $\phi 100$ to $\phi 110$ mm	new		
-	cover $\phi 132$ AISI 316 reversible tileable	10 pcs.		
-	frame $\phi 150$ AISI 316			



a.	9977.592.9	size	packaging	category
-	with dry trap (removable)	$\phi 115$	1xbox / 16 (B)	13
-	universal gasket to fit pipes from $\phi 100$ to $\phi 110$ mm	new		
-	cover $\phi 100$ AISI 316 reversible tileable	10 pcs.		
-	frame $\phi 115$ AISI 316			
		<div style="display: flex; justify-content: space-between;"> <span>PVD 9977.592.9.N</span> <span>9977.592.9.3</span> <span>9977.592.9.Q</span> </div>		

b.	9977.792.9	size	packaging	category
-	with dry trap (removable)	$\phi 150$	1xbox / 12 (B)	13
-	universal gasket to fit pipes from $\phi 100$ to $\phi 110$ mm	new		
-	cover $\phi 132$ AISI 316 reversible tileable	10 pcs.		
-	frame $\phi 150$ AISI 316			



a.	9977.412.9	size	packaging	category
-	with water trap (removable)	$\phi 115$	1xbox / 16 (B)	13
-	universal gasket to fit pipes from $\phi 100$ to $\phi 110$ mm	new		
-	cover $\phi 100$ AISI 316 reversible tileable	30 mm 10 pcs.		
-	frame $\phi 115$ AISI 316			
		<div style="display: flex; justify-content: space-between;"> <span>PVD 9977.412.9.N</span> <span>9977.412.9.3</span> <span>9977.412.9.Q</span> </div>		

b.	9977.612.9	size	packaging	category
-	with water trap (removable)	$\phi 150$	1xbox / 12 (B)	13
-	universal gasket to fit pipes from $\phi 100$ to $\phi 110$ mm	new		
-	cover $\phi 132$ AISI 316 reversible tileable	30 mm 10 pcs.		
-	frame $\phi 150$ AISI 316			

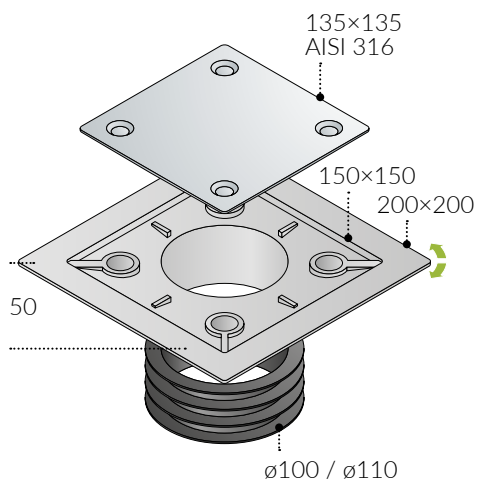
# 9977

new

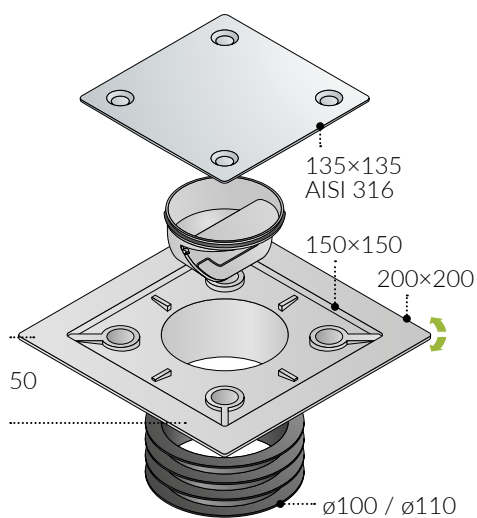
## Kalamáta unseen

ABS floor drain, completely invisible

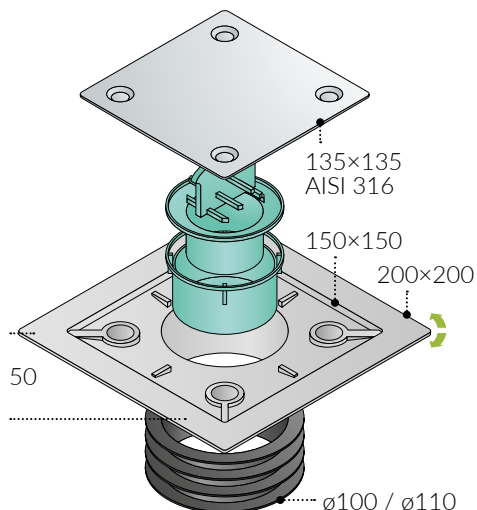
- universal gasket in EPDM to fit different pipes diameters, from  $\phi 100$  to  $\phi 110$  mm
- AISI316 stainless steel support for central tile
- anti-infiltrations flange useful for waterproofing
- without waterproofing sheet
- height adjustment from 25 to 40 mm



a. 9977.698.9	size	packaging	category
<ul style="list-style-type: none"> <li>- without trap</li> <li>- universal gasket to fit pipes from <math>\phi 100</math> to <math>\phi 110</math> mm</li> <li>- support for central tile <math>\phi 135</math> s/steel AISI 316</li> <li>- tiles borderline <math>\phi 150</math></li> <li>- without waterproofing sheet</li> </ul>	$\phi 135$ 10 pcs. <span style="color: green;">new</span>	1xbox / 10 (C)	13 



b. 9977.798.9	size	packaging	category
<ul style="list-style-type: none"> <li>- with dry trap (removable)</li> <li>- universal gasket to fit pipes from <math>\phi 100</math> to <math>\phi 110</math> mm</li> <li>- support for central tile <math>\phi 135</math> s/steel AISI 316</li> <li>- tiles borderline <math>\phi 150</math></li> <li>- without waterproofing sheet</li> </ul>	$\phi 135$ 10 pcs. <span style="color: green;">new</span>	1xbox / 10 (C)	13 

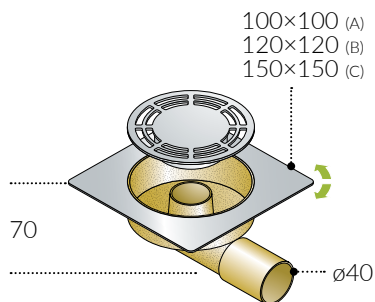


c. 9977.618.9	size	packaging	category
<ul style="list-style-type: none"> <li>- with water trap (removable)</li> <li>- universal gasket to fit pipes from <math>\phi 100</math> to <math>\phi 110</math> mm</li> <li>- support for central tile <math>\phi 135</math> s/steel AISI 316</li> <li>- tiles borderline <math>\phi 150</math></li> <li>- without waterproofing sheet</li> </ul>	$\phi 135$ 30 mm  10 pcs. <span style="color: green;">new</span>	1xbox / 10 (C)	13 



# 65 + 62

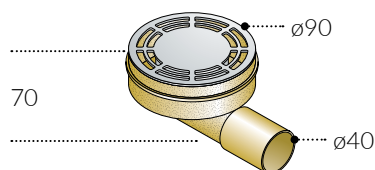
...  
brass trapped floor drain, with c.p. brass grid



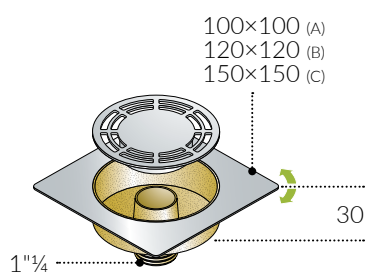
a. 65.200.6	size	packaging	category
<ul style="list-style-type: none"> <li>- grid <math>\phi 90</math> c.p. brass</li> <li>- frame <math>\phi 100</math> c.p. brass</li> <li>- outlet <math>\phi 40</math> lateral brass</li> <li>- with water trap</li> </ul>	$\phi 100 \times \phi 40$	1xbox / 15 (T)	15

b. 65.400.6	size	packaging	category
<ul style="list-style-type: none"> <li>- grid <math>\phi 90</math> c.p. brass</li> <li>- frame <math>\phi 120</math> c.p. brass</li> <li>- outlet <math>\phi 40</math> lateral brass</li> <li>- with water trap</li> </ul>	$\phi 120 \times \phi 40$	1xbox / 15 (T)	15

c. 65.900.6	size	packaging	category
<ul style="list-style-type: none"> <li>- grid <math>\phi 90</math> c.p. brass</li> <li>- frame <math>\phi 150</math> c.p. brass</li> <li>- outlet <math>\phi 40</math> lateral brass</li> <li>- with water trap</li> </ul>	$\phi 150 \times \phi 40$	1xbox / 16 (B)	15



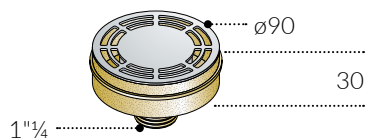
a. 65.300.6	size	packaging	category
<ul style="list-style-type: none"> <li>- grid <math>\phi 90</math> c.p. brass</li> <li>- without frame</li> <li>- outlet <math>\phi 40</math> lateral brass</li> <li>- with water trap</li> </ul>	$\phi 90 \times \phi 40$	1xbox / 15 (T)	15



a. 62.405.5	size	packaging	category
<ul style="list-style-type: none"> <li>- grid <math>\phi 90</math> c.p. brass</li> <li>- frame <math>\phi 100</math> c.p. brass</li> <li>- outlet 1 1/4 vertical brass</li> <li>- with water trap</li> </ul>	$\phi 100 \times 1 \frac{1}{4}$	2xbox / 30 (T)	15

b. 62.605.5	size	packaging	category
<ul style="list-style-type: none"> <li>- grid <math>\phi 90</math> c.p. brass</li> <li>- frame <math>\phi 120</math> c.p. brass</li> <li>- outlet 1 1/4 vertical brass</li> <li>- with water trap</li> </ul>	$\phi 120 \times \phi 40$	1xbox / 15 (T)	15

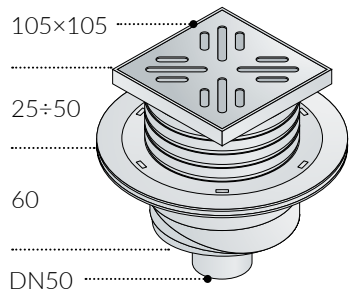
c. 62.905.5	size	packaging	category
<ul style="list-style-type: none"> <li>- grid <math>\phi 90</math> c.p. brass</li> <li>- frame <math>\phi 150</math> c.p. brass</li> <li>- outlet 1 1/4 vertical brass</li> <li>- with water trap</li> </ul>	$\phi 150 \times \phi 40$	1xbox / 16 (B)	15



a. 62.305.5	size	packaging	category
<ul style="list-style-type: none"> <li>- grid <math>\phi 90</math> c.p. brass</li> <li>- without frame</li> <li>- outlet 1 1/4 vertical brass</li> <li>- with water trap</li> </ul>	$\phi 90 \times 1 \frac{1}{4}$	2xbox / 30 (T)	15

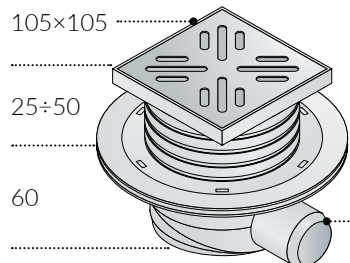
# 263 + 265 + 267 + 271

## plastic trapped floor drain



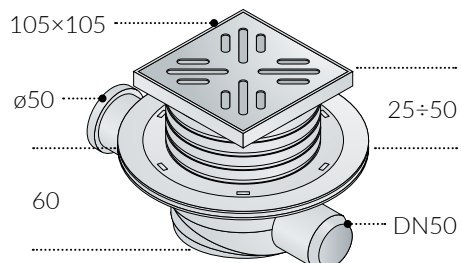
- a. 263.201.8**
- in ABS
  - grid  $\varnothing 105$  s/steel
  - outlet DN50 vertical ABS
  - with water trap (removable)
  - waterproofing predisposition
  - without waterproofing sheet
  - tiling thickness 25±50
  - under floor encumbrance H. 60

size	packaging	category
$\varnothing 105 \times \varnothing 50$	1×box / 10 (Q)	13
30 mm	32 l/min	10 pcs.



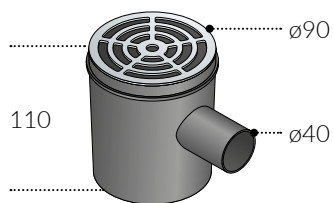
- b. 265.201.8**
- grid  $\varnothing 105$  s/steel
  - outlet DN50 lateral ABS
  - with water trap (removable)
  - waterproofing predisposition
  - without waterproofing sheet
  - tiling thickness 25±50
  - under floor encumbrance H. 60

size	packaging	category
$\varnothing 105 \times \varnothing 50$	1×box / 10 (B)	13
30 mm	32 l/min	10 pcs.



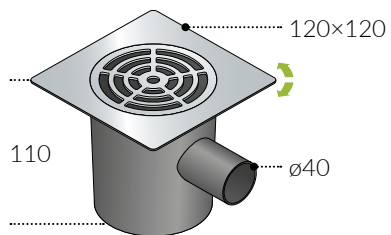
- c. 267.201.8**
- grid  $\varnothing 105$  s/steel
  - outlet DN50 lateral ABS
  - with  $\varnothing 50$  additional inlet
  - with water trap (removable)
  - waterproofing predisposition
  - without waterproofing sheet
  - tiling thickness 25±50
  - under floor encumbrance H. 60

size	packaging	category
$\varnothing 105 \times \varnothing 50$	1×box / 10 (B)	13
30 mm	32 l/min	10 pcs.



- a. 271.303.6**
- in PEHD
  - grid  $\varnothing 90$  c.p. brass
  - without frame
  - outlet  $\varnothing 40$  lateral PEHD
  - with water trap (removable)
  - without waterproofing predisposition
  - under floor encumbrance H. 110

size	packaging	category
$\varnothing 90 \times \varnothing 40$	1×bag / 30 (B)	13
40 mm	31 l/min	30 pcs.



- b. 271.403.6**
- grid  $\varnothing 90$  c.p. brass
  - frame  $\varnothing 120$  c.p. brass
  - outlet  $\varnothing 40$  lateral PEHD
  - with water trap (removable)
  - without waterproofing predisposition
  - under floor encumbrance H. 110

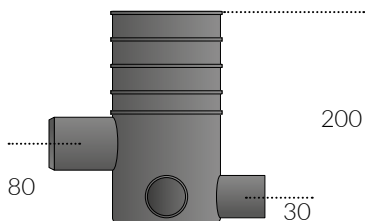
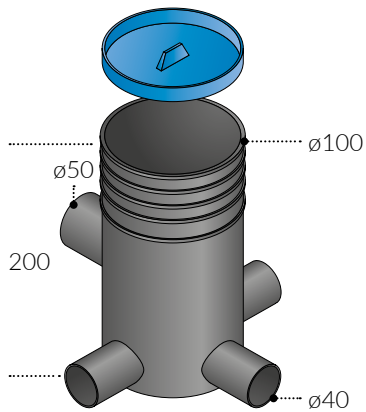
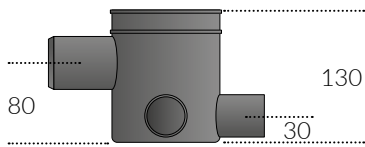
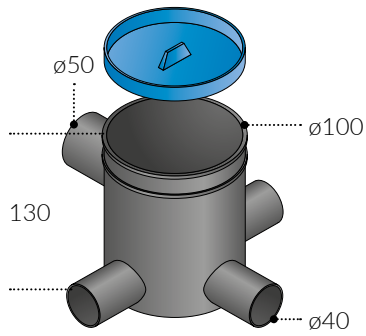
size	packaging	category
$\varnothing 90 \times \varnothing 40$	1×bag / 30 (A)	13
40 mm	31 l/min	30 pcs.



# 274 + 275

...

## PEHD floor drain



### a. 274.003.8

- H. 130
- in PEHD
- 3 inlets  $\phi 40$
- outlet  $\phi 50$
- no trap
- with protection lid

size

$\phi 100 \times \phi 50$



10 pcs.

packaging

1x bag / 10 (B)

category

13



### b. 275.003.8

- H. 200
- in PEHD
- 3 inlets  $\phi 40$
- outlet  $\phi 50$
- no trap
- with protection lid

size

$\phi 100 \times \phi 50$



10 pcs.

packaging

1x bag / 10 (C)

category

13



SPARE PARTS / FLOOR DRAIN PLUG



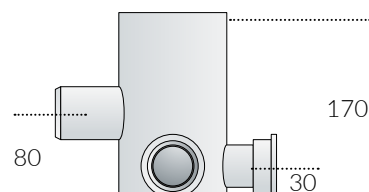
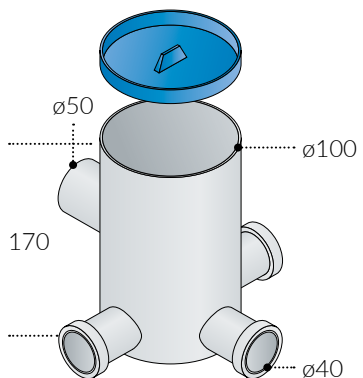
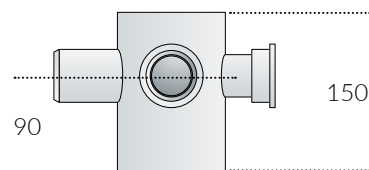
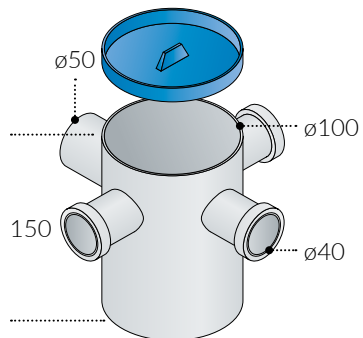
177.601.0

For more informations see page 268

# 274 + 275

...

## PP floor drain



### a. 274.002.8

- H.150
- in PP
- 3 inlets  $\phi 40$
- outlet  $\phi 50$
- with removable trap
- with protection lid

size

$\phi 100 \times \phi 50$

packaging

1x bag / 10 (B)

category

13



50 mm 10 pcs.



### b. 275.002.8

- H.170
- in PP
- 3 inlets  $\phi 40$
- outlet  $\phi 50$
- no trap
- with protection lid

size

$\phi 100 \times \phi 50$

packaging

1x bag / 10 (C)

category

13



10 pcs.



SPARE PARTS / FLOOR DRAIN PLUG



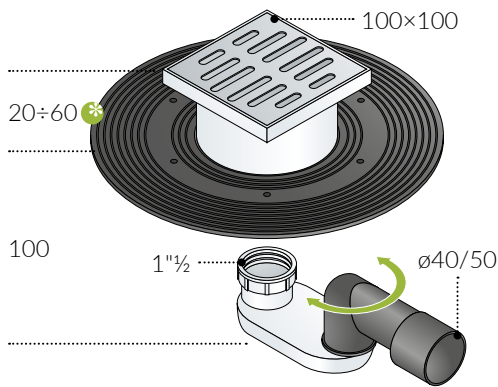
177.601.0

For more informations see page 268

# 266 + 262

## Minnie

PEHD trap for cellars and terraces



### a. 266.277.8

- s/steel grid  $\varnothing 100$
- anti-infiltrations flange useful for PVC sheet waterproofing
- without waterproofing sheet
- with PP trap
- outlet  $\varnothing 40/50$  PEHD
- tiling thickness 20÷60
- under floor encumbrance H.100

size	packaging	category
------	-----------	----------

$\varnothing 100 \times \varnothing 50$	1x bag / 10 (Q)	13
---	-----------------	----



40 mm 65 l/min 10 pcs.



### b. 262.277.6

- s/steel grid  $\varnothing 100$
- anti-infiltrations flange useful for PVC sheet waterproofing
- without waterproofing sheet
- without trap
- outlet 1 1/2
- tiling thickness 20÷60

size	packaging	category
------	-----------	----------

$\varnothing 100 \times 1 1/2$	1x bag / 10 (B)	13
--------------------------------	-----------------	----



10 pcs.



#### SPARE PARTS / TAILPIECES



250.318.6 / 251.353.6

For more informations see page 249

### a. 266.226.6

- s/steel grid  $\varnothing 100$
- anti-infiltrations flange useful for PVC sheet waterproofing
- waterproof. sheet 1200x1200
- with PP trap
- outlet 1 1/2
- tiling thickness 40÷60
- under floor encumbrance H.100

size	packaging	category
------	-----------	----------

$\varnothing 100 \times 1 1/2$	1x box / 4 (B)	13
--------------------------------	----------------	----



40 mm 65 l/min 4 pcs.



### b. 266.246.6

- s/steel grid  $\varnothing 100$
- anti-infiltrations flange useful for PVC sheet waterproofing
- waterproof. sheet 1500x1800
- with PP trap
- outlet 1 1/2
- tiling thickness 40÷60
- under floor encumbrance H.100

size	packaging	category
------	-----------	----------

$\varnothing 100 \times 1 1/2$	1x box	13
--------------------------------	--------	----



40 mm 65 l/min 1 pcs.

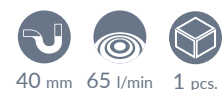


### c. 266.236.6

- s/steel grid  $\varnothing 100$
- anti-infiltrations flange useful for PVC sheet waterproofing
- waterproof. sheet 1800x2000
- with PP trap
- outlet 1 1/2
- tiling thickness 40÷60
- under floor encumbrance H.100

size	packaging	category
------	-----------	----------

$\varnothing 100 \times 1 1/2$	1x box	13
--------------------------------	--------	----



40 mm 65 l/min 1 pcs.



#### SPARE PARTS / WATERPROOFING KIT



177.501.0 / 177.521.0

For more informations see page 268

276

4-In

PEHD floor drain for cellars and terraces



## a. 276.273.8

- s/steel grid  $\varnothing 100$
- anti-infiltrations flange useful for PVC sheet waterproofing
- without waterproofing sheet
- H. 130
- in PEHD
- 3 inlets  $\varnothing 40$
- outlet  $\varnothing 50$

size

 $\varnothing 100 \times \varnothing 50$ 

packaging

1×bag / 10 (Q)

category

13



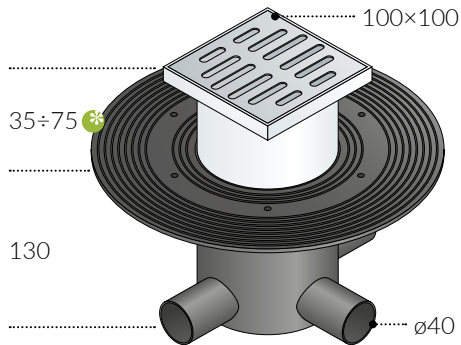
50 mm



34 l/min



10 pcs.



## b. 276.973.8

- s/steel grid  $\varnothing 140$
- anti-infiltrations flange useful for PVC sheet waterproofing
- without waterproofing sheet
- H. 130
- in PEHD
- 3 inlets  $\varnothing 40$
- outlet  $\varnothing 50$

size

 $\varnothing 140 \times \varnothing 50$ 

packaging

1×bag / 10 (Q)

category

13



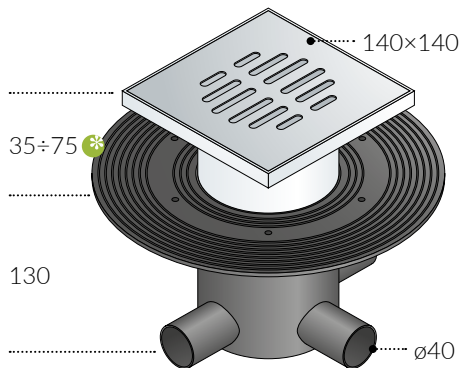
50 mm



34 l/min



10 pcs.



## NOTES / TILING THICKNESS



The quoted minimum size refers to the product installed without a waterproofed slab. The minimum useful height, when the product is combined with waterproofing kits needs to be 40 mm

## SPARE PARTS / WATERPROOFING KIT



177.501.0 / 177.521.0

For more informations see page 268





## In-wall

- Calimero -
- Dolby -
- Dexa 1 -
- Dexa 2 - new
- Escundido + Escundido box -
- Split -
- recessed housing for conditioning -
- complementary for conditioning -
- washing machine valve + accessories -



for the sanitary ware image, special thanks to  
**technova**



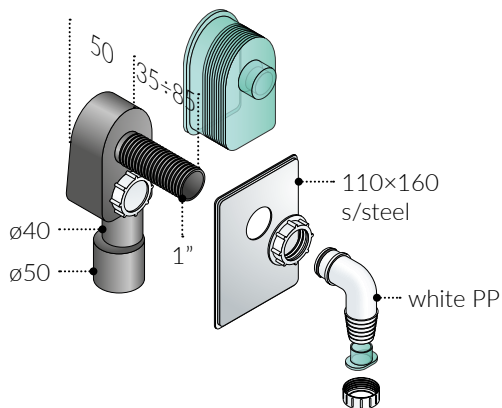
06





# 2112 Calimero

PEHD in-wall trap for washing machine



## a. 2112.150.8

- white PP hose connection
- s/steel plate 110x160
- PEHD outlet  $\phi 40/50$
- with check hole
- with protection lid for construction site

size

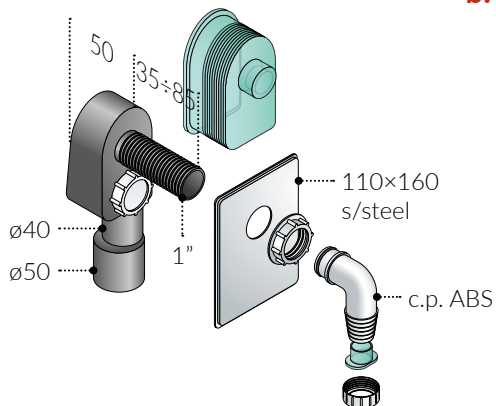
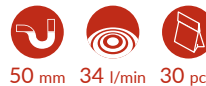
1" x  $\phi 50$

packaging

1x bag / 30 (Q)

category

11



## b. 2112.350.8

- c.p. PP hose connection
- s/steel plate 110x160
- PEHD outlet  $\phi 40/50$
- with check hole
- with protection lid for construction site

size

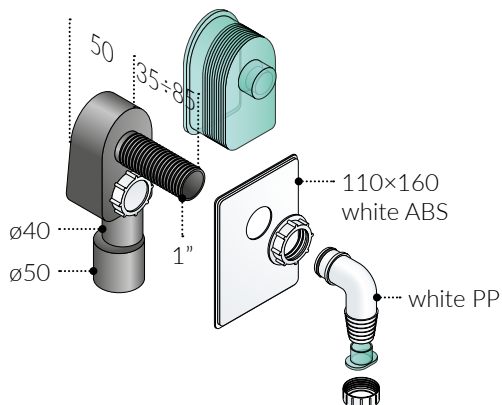
1" x  $\phi 50$

packaging

1x bag / 30 (Q)

category

11



## c. 2112.110.8

- white PP hose connection
- white ABS plate 110x160
- PEHD outlet  $\phi 40/50$
- with check hole
- with protection lid for construction site

size

1" x  $\phi 50$

packaging

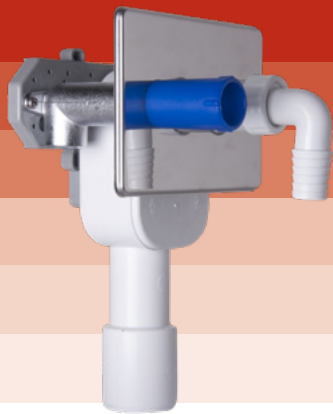
1x bag / 30 (Q)

category

11



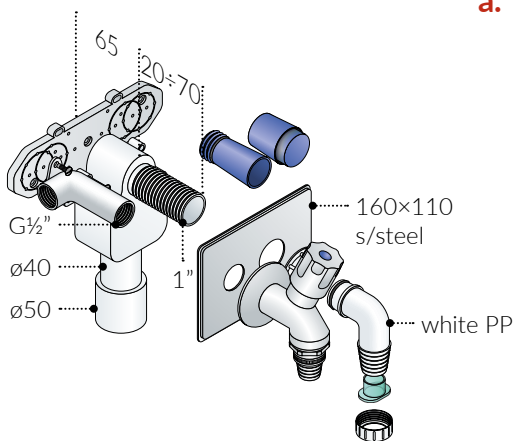
PEHD outlet to be soldered with PE pipes



6107

Dolby

PP in-wall trap for washing machine and dishwasher



**a. 6107.501.4**

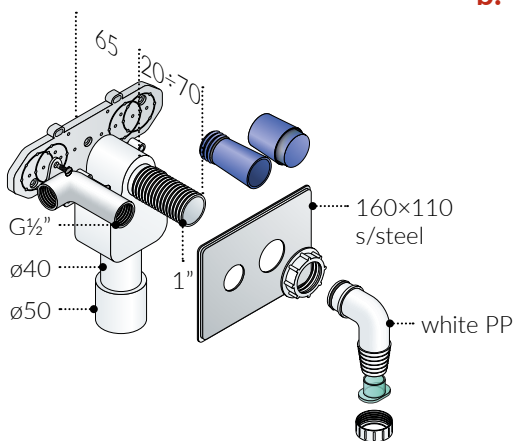
- white PP hose connection
- s/steel plate 160×110
- with metal connection for tap G $\frac{1}{2}$ "
- with angle valve DIN EN 1717
- with anchor plate
- PP outlet  $\phi$ 40/50
- with testing plug and protection

size	packaging	category
------	-----------	----------

$\frac{1}{2}$ " × $\phi$ 50	1×box / 10 (C)	11
-----------------------------	----------------	----



50 mm 34 l/min 10 pcs.



**b. 6107.201.4**

- white PP hose connection
- s/steel plate 160×110
- with metal connection for tap G $\frac{1}{2}$ "
- without angle valve
- with anchor plate
- PP outlet  $\phi$ 40/50
- with testing plug and protection

size	packaging	category
------	-----------	----------

$\frac{1}{2}$ " × $\phi$ 50	1×box / 10 (C)	11
-----------------------------	----------------	----



50 mm 34 l/min 10 pcs.

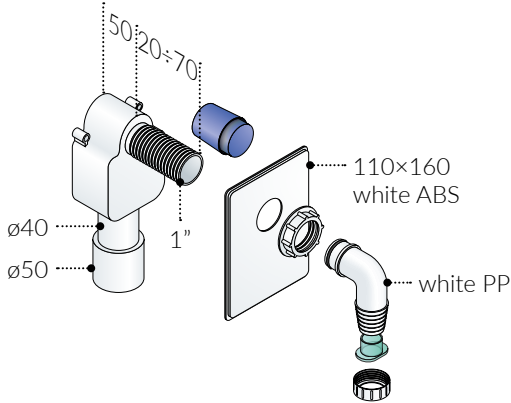




# 2107

## Dexa 1

PP in-wall trap for washing machine



### a. 2107.112.8

- white PP hose connection
- white ABS plate 110x160
- PP outlet  $\phi 40/50$
- with protection lid for construction site

size

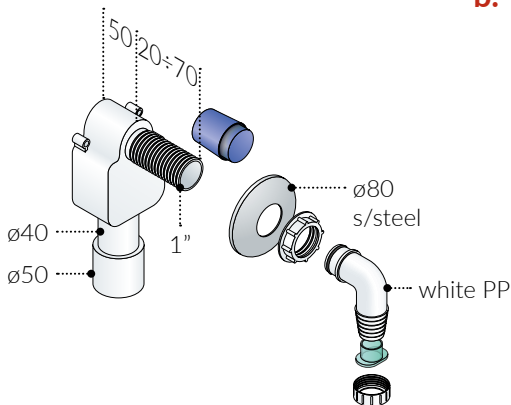
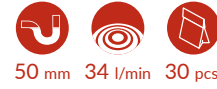
1" x  $\phi 50$

packaging

1x bag / 30 (Q)

category

11



### b. 2107.192.8

- white PP hose connection
- s/steel flange  $\phi 80$
- PP outlet  $\phi 40/50$
- with protection lid for construction site

size

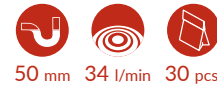
1" x  $\phi 50$

packaging

1x bag / 30 (Q)

category

11

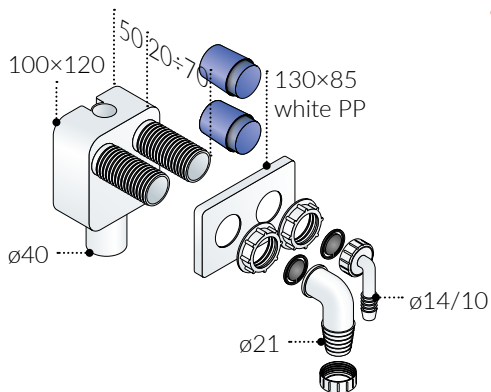


new

2207

# Dexa 2

PP in-wall trap for washing machine and dryer or conditioning

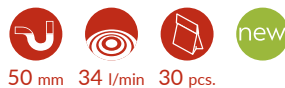


### a. 2207.512.6

- white PP plate 130x85
- sealable white PP hose connection for washing machine 1" x  $\phi$ 21
- sealable white PP hose connection for dryer or conditioning-drops 1" x  $\phi$ 10/14
- without recessed housing
- PP outlet  $\phi$ 40
- with protection lid for construction site

size	packaging	category
------	-----------	----------

1" x $\phi$ 40	1x bag / 30 (Q)	11
----------------	-----------------	----



50 mm 34 l/min 30 pcs.



#### SPARE PARTS / CONNECTIONS

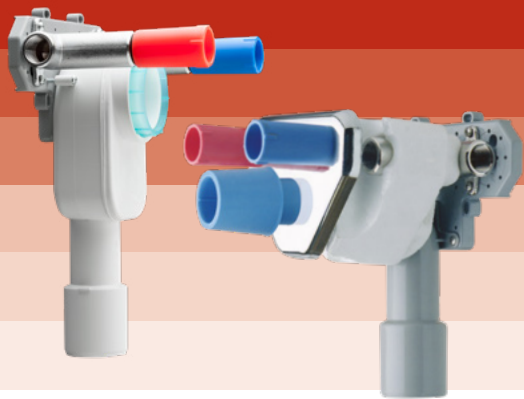


Other models of hose connection for washing machine and dryer available  
For more informations see page 269



#### NOTES

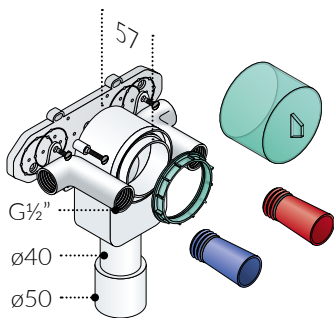




6060 + 6100

## Escundido + Escundido box

PP in-wall trap and drainage pipe for washbasin



### a. 6060.216.0

ESCUNDIDO

- without inlet pipe
- with 2 metal connections for tap G $\frac{1}{2}$ "
- without angle valves
- with anchor plate
- PP outlet  $\phi$ 40/50
- water trap removable for maintenance
- with testing plugs and protection

size

1 $\frac{1}{2}$ " x  $\phi$ 50

packaging

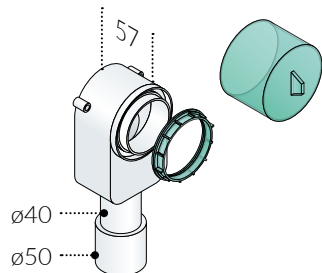
1xbox / 10 (C)

category

11



50 mm 42 l/min 10 pcs.



### b. 6060.000.0

- without inlet pipe
- without connections for tap
- without angle valves
- without anchor plate
- PP outlet  $\phi$ 40/50
- water trap removable for maintenance
- with protection

size

$\phi$ 50

packaging

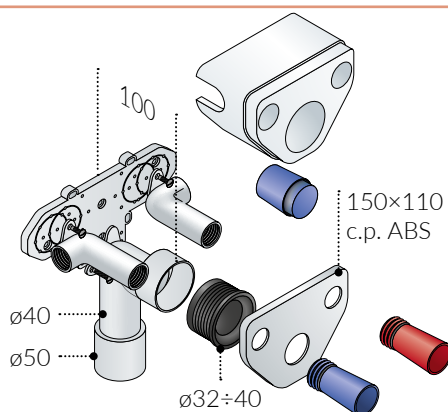
1xbag / 10 (T)

category

11



50 mm 42 l/min 10 pcs.



### a. 6100.215.6

ESCUNDIDO BOX

- without inlet pipe
- with joint  $\phi$ 32÷ $\phi$ 40
- with 2 metal connections for tap G $\frac{1}{2}$ "
- without angle valves
- c.p. ABS plate 150x110
- with anchor plate
- PP outlet  $\phi$ 40/50
- with sound-dampened fixing bracket
- with testing plugs and protection

size

$\phi$ 32 x  $\phi$ 50

packaging

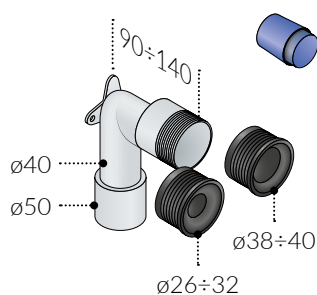
1xbox / 10 (C)

category

11



12 pcs.



### b. 6253.002.6

- without inlet pipe
- with joint  $\phi$ 26÷32
- with joint  $\phi$ 38÷40
- without connections for tap
- without angle valves
- without anchor plate
- PP outlet  $\phi$ 40/50
- with protection

size

$\phi$ 26 x  $\phi$ 50

packaging

1xbag / 10 (T)

category

11



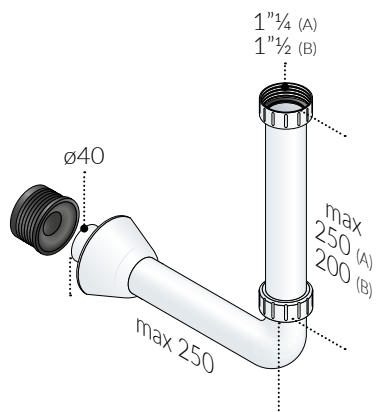
10 pcs.





#### NOTES / SIPHONING

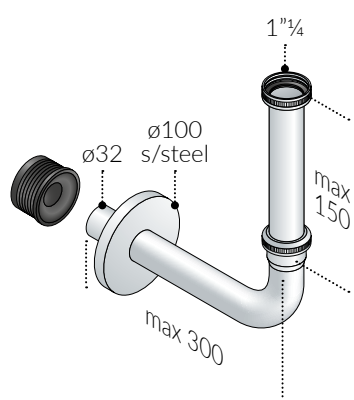




Drainage pipes has no siphoning and they must be combined with traditional traps in brass or plastic

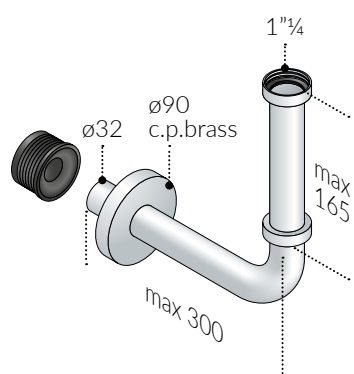




a. 137.031.5	size	packaging	category
<ul style="list-style-type: none"> <li>- PP inlet pipe for Escundido</li> <li>- inlet H. 250 × 1"¼</li> <li>- outlet L. 250 × ø40</li> <li>- with joint ø32÷40</li> <li>- PP flange ø80</li> </ul>	1"¼ × ø40	1×bag / 30 (C)	11
	 10 pcs.		

b. 137.031.6	size	packaging	category
<ul style="list-style-type: none"> <li>- PP inlet pipe for Escundido</li> <li>- inlet H. 200 × 1"½</li> <li>- outlet L. 250 × ø40</li> <li>- with joint ø32÷40</li> <li>- PP flange ø80</li> </ul>	1"½ × ø40	1×bag / 30 (C)	11
	 10 pcs.		



a. 137.032.5	size	packaging	category
<ul style="list-style-type: none"> <li>- c.p. brass inlet pipe for Escundido</li> <li>- inlet H. 150 × 1"¼</li> <li>- outlet L. 300 × ø32</li> <li>- with joint ø32÷40</li> <li>- s/steel flange ø100</li> </ul>	1"¼ × ø32	1×box / 5 (T)	11
	 15 pcs.		



a. 137.033.5	size	packaging	category
<ul style="list-style-type: none"> <li>- c.p. brass inlet pipe for Escundido</li> <li>- inlet H. 165 × 1"¼</li> <li>- outlet L. 300 × ø32</li> <li>- with joint ø32÷40</li> <li>- c.p. brass flange ø90</li> </ul>	1"¼ × ø32	1×box / 5 (T)	11
	 15 pcs.		

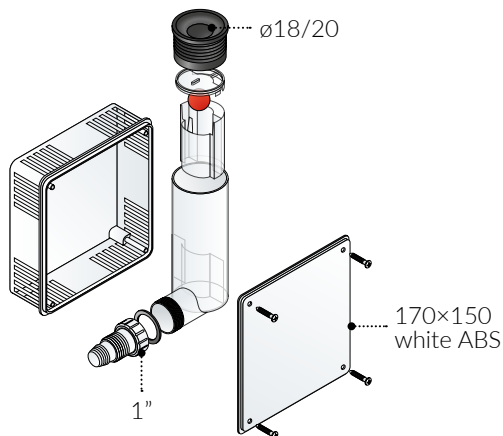




2370

## Split

PP conditioning-drops trap



**a. 2370.273.4**

- with recessed housing for in-wall installation
- white ABS plate 170x150
- with joint  $\varnothing 18 \div 20$
- removable trap
- straight outlet

size

$\varnothing 18/20$



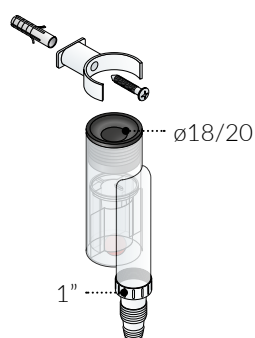
50 mm 15 pcs.

packaging

1x bag / 15 (W)

category

11



**a. 2370.162.4**

- with holder for external installation
- with joint  $\varnothing 18 \div 20$
- removable trap
- straight outlet

size

$\varnothing 18/20$



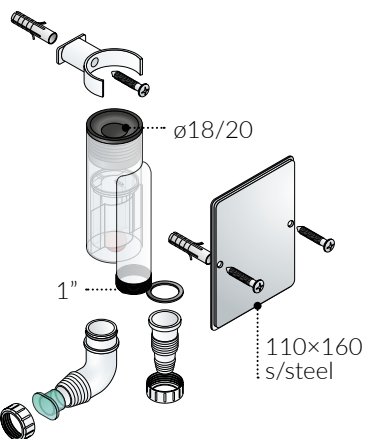
50 mm 30 pcs.

packaging

1x bag / 30 (W)

category

11



**a. 2370.185.4**

- with holder and plate for in-wall installation
- s/steel plate 110x160
- with joint  $\varnothing 18 \div 20$
- removable trap
- straight and bent outlets

size

$\varnothing 18/20$



50 mm 30 pcs.

packaging

1x bag / 30 (W)

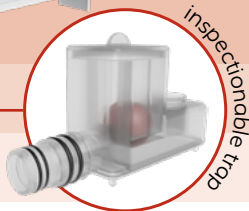
category

11



# 2350 + 2380

## ... PST recessed housings for conditioning

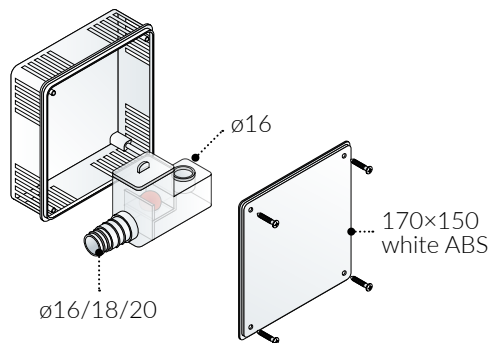
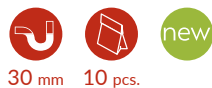


### a. 2350.073.4

- 174×154×58
- white ABS plate 170×150
- with removable trap
- reversible right or left
- horizontal outlet  $\phi 16/18/20$

size packaging category

174×154×58 1×bag / 10 11



#### NOTES / OUTLET

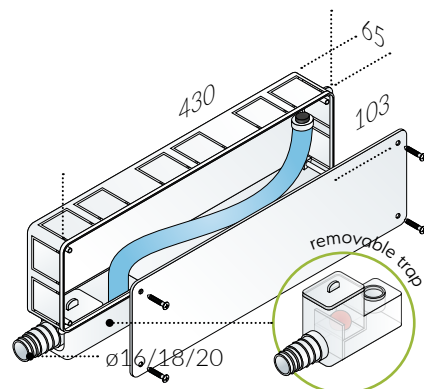
The outlet can be vertically modified using the elbow fitting 2389.700.3 available on the following page

### a. 2380.115.3

- 430×103×65
- with removable trap
- pipe with direct connection and connector  $\phi 16$
- reversible right or left
- horizontal outlet  $\phi 16/18/20$
- with fixing plates

size packaging category

430×103×68 1×bag / 16 11



#### NOTES / ADVANTAGES

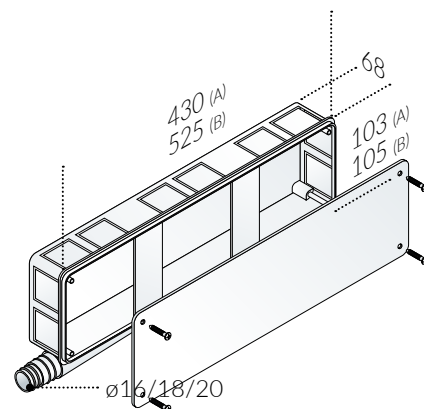
- total absence of the conveyor  
 - improved insulation of electrical cables  
 - eliminates thermal bridges causing wall stains  
 - eliminates potential condensation build-up leading to mold and bacteria

### a. 2380.110.3

- 430×103×68
- without trap
- reversible right or left
- horizontal outlet  $\phi 16/18/20$
- with fixing plates

size packaging category

430×103×68 1×bag / 24 11



### b. 2380.120.3

- 525×105×68
- without trap
- reversible right or left
- horizontal outlet  $\phi 16/18/20$
- with fixing plates

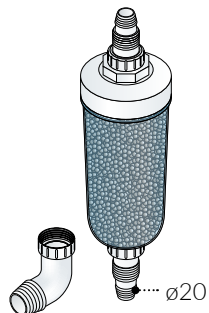
size packaging category

525×105×68 1×bag / 24 11



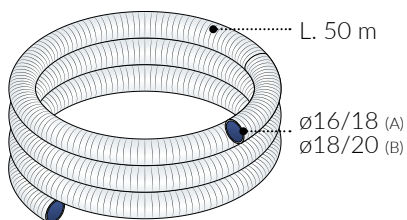
# complementary

for conditioning



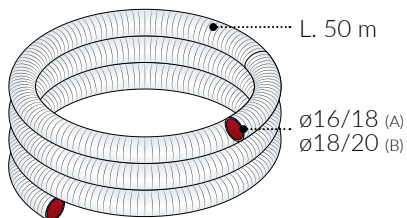
a.	2355.105.4	size	packaging	category
	<ul style="list-style-type: none"> <li>- condensate neutralizer for condensing boilers</li> <li>- for boilers up to 35 kW</li> <li>- outlet ø20</li> </ul>	ø20	1×bag	11
		1 pcs.		

b.	2355.999.0	size	packaging	category
	<ul style="list-style-type: none"> <li>- recharge for 2355.105.4</li> </ul>		1×bag	11
		1 pcs.		



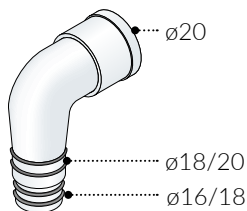
a.	2389.330.2	size	packaging	category
	<ul style="list-style-type: none"> <li>- hose for conditioning-drops</li> <li>- L. 50 m</li> <li>- ø16/18</li> </ul>	ø16/18	1×bag (50 m)	11
		1 pcs.		

b.	2389.330.3	size	packaging	category
	<ul style="list-style-type: none"> <li>- hose for conditioning-drops</li> <li>- L. 50 m</li> <li>- ø18/20</li> </ul>	ø18/20	1×bag (50 m)	11
		1 pcs.		

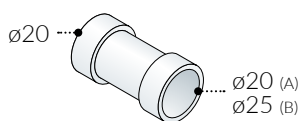


a.	2389.335.2	size	packaging	category
	<ul style="list-style-type: none"> <li>- hose for conditioning-drops</li> <li>- for condensing boilers</li> <li>- L. 50 m</li> <li>- ø16/18</li> </ul>	ø16/18	1×bag (50 m)	11
		1 pcs.		

b.	2389.335.3	size	packaging	category
	<ul style="list-style-type: none"> <li>- hose for conditioning-drops</li> <li>- for condensing boilers</li> <li>- L. 50 m</li> <li>- ø18/20</li> </ul>	ø18/20	1×bag (50 m)	11
		1 pcs.		

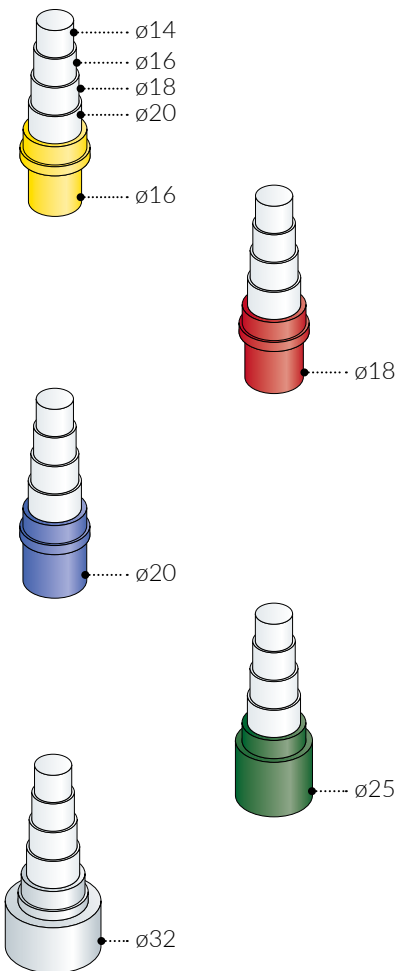

















a.	2389.700.3	size	packaging	category
	<ul style="list-style-type: none"> <li>- bended outlet for conditioning-drops</li> <li>- ø16/18/20</li> <li>- for recessed housing (art. 2380)</li> </ul>	ø16/20	48×box	11
		48 pcs.		

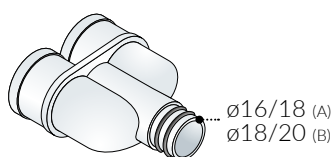






a.	2389.400.3	size	packaging	category
	<ul style="list-style-type: none"> <li>- connecting sleeve for conditioning-drops</li> <li>- flexible/rigid</li> <li>- ø20/20</li> </ul>	ø20/20	30×box	11
		30 pcs.		

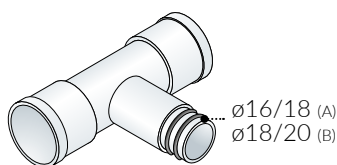
b.	2389.400.4	size	packaging	category
	<ul style="list-style-type: none"> <li>- connecting sleeve for conditioning-drops</li> <li>- flexible/rigid</li> <li>- ø20/25</li> </ul>	ø20/25	30×box	11
		30 pcs.		







a. 2389.450.1	size	packaging	category
- rigid/flexible adapter for conditioning-drops - flexible ø14/16/18/20 - rigid ø16	ø16	10×bag	11
	 		
	10 pcs.		
b. 2389.450.2	size	packaging	category
- rigid/flexible adapter for conditioning-drops - flexible ø14/16/18/20 - rigid ø18	ø18	10×bag	11
	 		
	10 pcs.		
c. 2389.450.3	size	packaging	category
- rigid/flexible adapter for conditioning-drops - flexible ø14/16/18/20 - rigid ø20	ø20	10×bag	11
	 		
	10 pcs.		
d. 2389.450.4	size	packaging	category
- rigid/flexible adapter for conditioning-drops - flexible ø14/16/18/20 - rigid ø25	ø25	10×bag	11
	 		
	10 pcs.		
e. 2389.450.5	size	packaging	category
- rigid/flexible adapter for conditioning-drops - flexible ø14/16/18/20 - rigid ø32	ø32	10×bag	11
	 		
	10 pcs.		



a. 2389.500.2	size	packaging	category
- Y shaped 3 way junction for conditioning-drops - ø16/18	ø16/18	25×box	11
			
	25 pcs.		
b. 2389.500.3	size	packaging	category
- Y shaped 3 way junction for conditioning-drops - ø18/20	ø18/20	25×box	11
			
	25 pcs.		

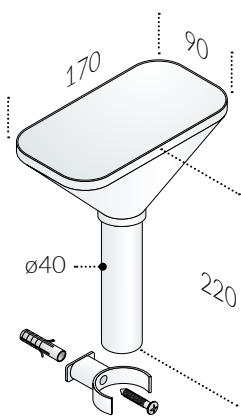


a. 2389.600.2	size	packaging	category
- T shaped 3 way junction for conditioning-drops - ø16/18	ø16/18	25×box	11
			
	25 pcs.		
b. 2389.600.3	size	packaging	category
- T shaped 3 way junction for conditioning-drops - ø18/20	ø18/20	25×box	11
			
	25 pcs.		



# washing machine valve

and accessories



## a. 5130.130.6

- PP convector-drops funnel
- without trap
- with holder
- H. 220
- outlet  $\phi 40$

size

170×90× $\phi 40$

packaging

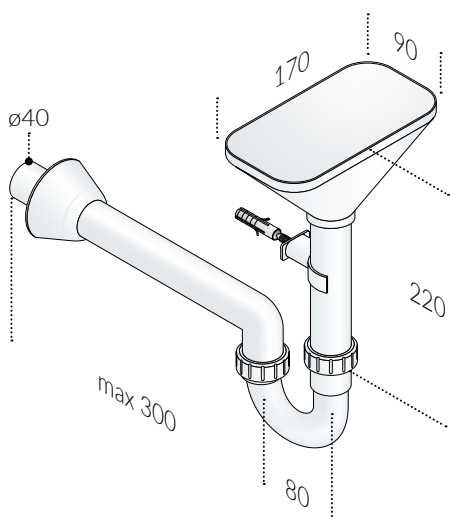
1×bag / 40 (Q)

category

10



40 pcs.



## b. 5130.430.6

- PP convector-drops funnel
- with trap
- with holder
- H. 220
- outlet L. 300 ×  $\phi 40$

size

170×90× $\phi 40$

packaging

1×bag / 20 (Q)

category

10



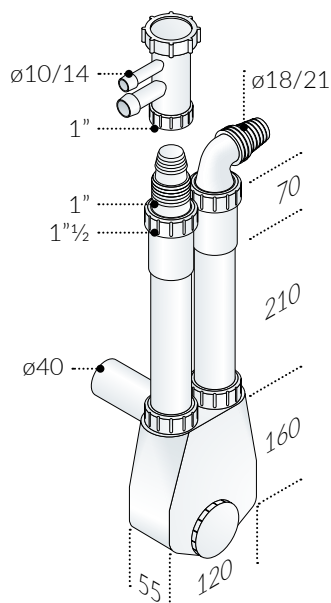
60 mm



65 l/min



20 pcs.



## a. 2108.700.6

- PP trap for washing-machine, conditioning-drops and dryer
- inlet H. 280 × 1"½
- with 2 hose connections for washing machine 1"× $\phi 21$
- with 1 hose connection for conditioning-drops and dryer 1"× $\phi 10/14$
- outlet  $\phi 40$
- without wall pipe
- without flange
- with check hole

size

1"½× $\phi 40$

packaging

1×box / 10 (A)

category

11

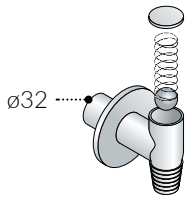


50 mm



10 pcs.





**a. 109.450.5**

- washing-machine valve
- in brass
- single connection
- dry trap
- outlet ø32

size

ø32



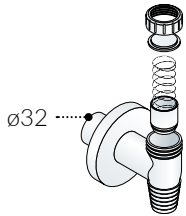
6 pcs.

packaging

6×bag

category

11



**b. 2108.180.5**

- washing-machine valve
- in PP
- single connection
- dry trap
- outlet ø32

size

ø32



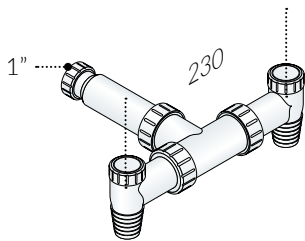
30 pcs.

packaging

1×bag / 30 (T)

category

11



**c. 2108.600.4**

- washing-machine valve
- in PP
- double connection
- dry trap
- outlet 1"

size

1"



10 pcs.

packaging

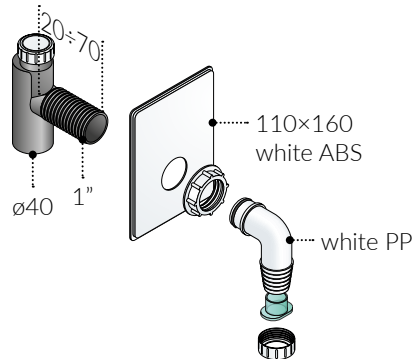
1×bag / 10 (T)

category

11



Spring siphoning device working in every position



**a. 2110.110.6**

- washing-machine valve
- in PEHD
- with white ABS plate 110×160 for in-wall installation
- dry trap
- white PP hose connection
- outlet ø40

size

1" × ø40



30 pcs.

packaging

1×bag / 30 (W)

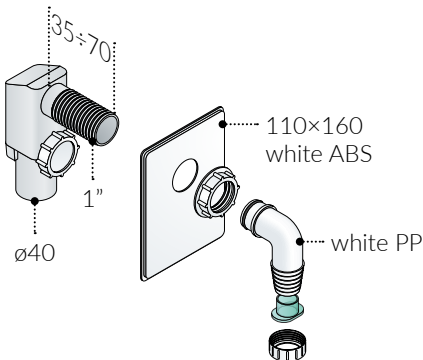
category

11



Spring siphoning device working in every position

PEHD outlet to be soldered with PE pipes



**a. 2113.110.6**

- washing-machine trap
- in PVC
- with white ABS plate 110×160 for in-wall installation
- water trap
- white PP hose connection
- outlet ø40

size

1" × ø40



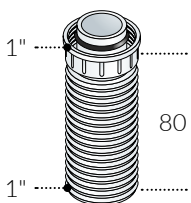
50 mm 30 pcs.

packaging

1×bag / 30 (W)

category

11



**a. 2111.260.4**

- extension
- in PP
- 1"

size

1" × 1"



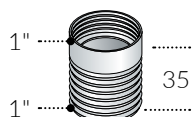
10 pcs.

packaging

10×bag

category

10



**b. 111.260.4**

- extension
- in brass
- 1"

size

1" × 1"



10 pcs.

packaging

10×bag

category

08



## Accessories

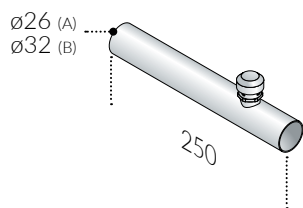
- aerators -
- extendible pipes -
- straight pipes -
- bent and flexible pipes -
- floor pipes -
- flanged pipes -
- extensions and connections -
- reductions and tailpieces -
- angle valves -
- mixer-hose connections -
- plugs for washbasin + sink wastes -
- gaskets for traps -
- nuts -
- gaskets for wastes -
- wall flanges -
- spouts -
- aerators and -
- accessories for sink
- accessories for shower tray -
- and bathtub wastes
- accessories for shower channels -
- accessories for waterproofing - new
- accessories for floor drains -
- accessories for in-wall traps -
- hose connections -
- accessories for wc -
- traps for urinals -
- other... -

07

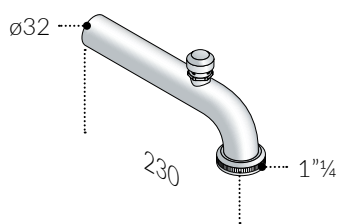


# aerators

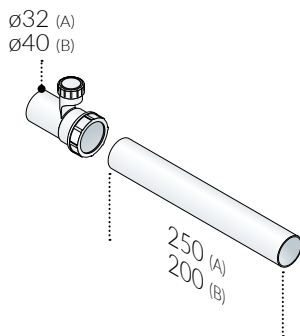
for traps outlet pipes and air admittance valves



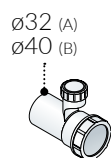
a.	159.250.4	size	packaging	category
	<b>Chrome plated brass straight wall pipe for traps</b>	250 × ø26	10×box / 80 (B)	08
	- with aerator			
	- L. 250 mm			
	- ø26			
b.	159.250.5	size	packaging	category
	<b>Chrome plated brass straight wall pipe for traps</b>	250 × ø32	10×box / 80 (B)	08
	- ø32			



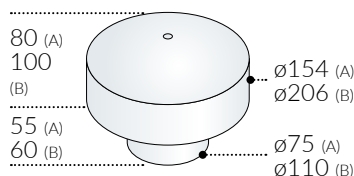
a.	187.259.5	size	packaging	category
	<b>Chrome plated brass bent wall pipe for traps</b>	230 × ø32	5×box / 50 (C)	08
	- with aerator			
	- with nut and gasket			
	- L. 230 mm			
	- 1 1/4 × ø32			



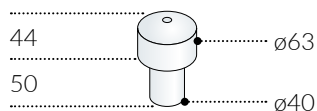
a.	2159.250.5	size	packaging	category
	<b>White PP extension for traps outlet pipe</b>	ø32	10×bag	10
	- with aerator	<span style="background-color: #90EE90; border-radius: 50%; padding: 2px;">new</span>		
	- with straight PP pipe L. 250			
	- ø32			
b.	2159.250.6	size	packaging	category
	<b>White PP extension for traps outlet pipe</b>	ø40	10×bag	10
	- with straight PP pipe L. 200	<span style="background-color: #90EE90; border-radius: 50%; padding: 2px;">new</span>		
	- ø40			



a.	2159.050.5	size	packaging	category
	<b>White PP extension for traps outlet pipe</b>	ø32	10×bag	10
	- with aerator			
	- without straight pipe			
	- ø32			
b.	2159.050.6	size	packaging	category
	<b>White PP extension for traps outlet pipe</b>	ø40	10×bag	10
	- ø40			



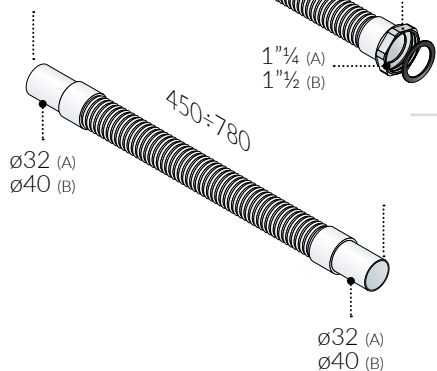
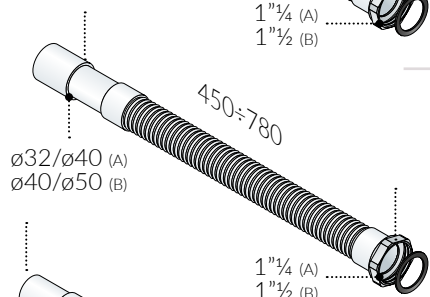
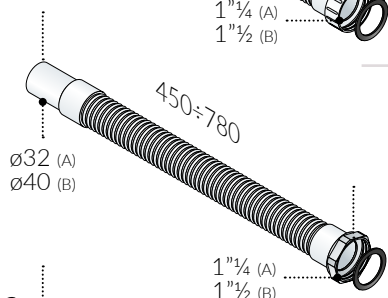
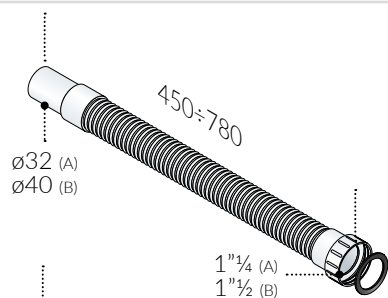
a.	2070.100.9	size	packaging	category
	<b>ABS air admittance valve for venting system</b>	ø75 × 80	1×box	10
	- for primary air admittance			
	- ø75 × H. 80 mm			
b.	2070.100.0	size	packaging	category
	<b>ABS air admittance valve for venting system</b>	ø110 × 100	1×box	10
	- ø110 × H. 100 mm			



a.	2070.100.6	size	packaging	category
	<b>ABS air admittance valve for venting system</b>	ø40 × 44	1×box	10
	- for secondary air admittance			
	- ø40 × H. 44 mm			

# Smart

## extendible pipes



a.	485.906.5	size	packaging	category
	PP extendible pipe	1 1/4 × ø32	1×bag / 30 (T)	10
	- 450÷780			
	- PP nut			
	- 1 1/4 × ø32			

b.	485.906.6	size	packaging	category
		1 1/2 × ø40	1×bag / 30 (T)	10
	- 1 1/2 × ø40			

a.	485.903.5	size	packaging	category
	c.p. metal nut	1 1/4 × ø32	1×bag / 30 (T)	10
	- 1 1/4 × ø32			

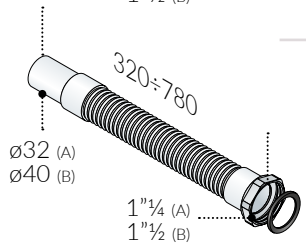
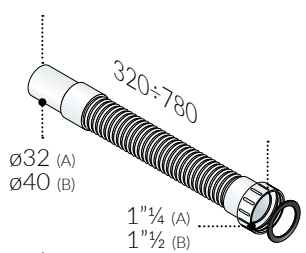
b.	485.903.6	size	packaging	category
		1 1/2 × ø40	1×bag / 30 (T)	10
	- 1 1/2 × ø40			

a.	485.993.6	size	packaging	category
	c.p. metal nut	1 1/4 × ø32/40	1×bag / 30 (T)	10
	- double diameter outlet			
	- 1 1/4 × ø32/40			

b.	485.993.8	size	packaging	category
		1 1/2 × ø40/50	1×bag / 30 (T)	10
	- 1 1/2 × ø40/50			

a.	485.905.5	size	packaging	category
		ø32 × ø32	1×bag / 30 (T)	10
	- ø32 × ø32			

b.	485.905.6	size	packaging	category
		ø40 × ø40	1×bag / 30 (T)	10
	- ø40 × ø40			



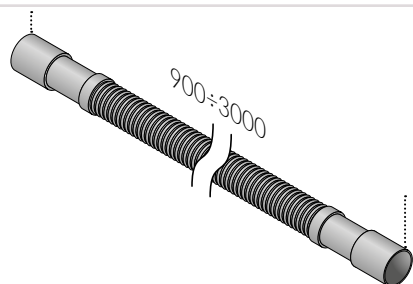
a.	585.906.5	size	packaging	category
	PP extendible pipe	1 1/4 × ø32	1×bag / 30 (T)	10
	- 320÷780			
	- PP nut			
	- 1 1/4 × ø32			

b.	585.906.6	size	packaging	category
		1 1/2 × ø40	1×bag / 30 (T)	10
	- 1 1/2 × ø40			

a.	585.903.5	size	packaging	category
	c.p. metal nut	1 1/4 × ø32	1×bag / 30 (T)	10
	- 1 1/4 × ø32			

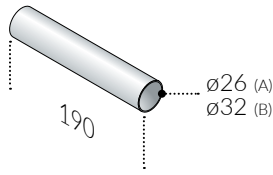
b.	585.903.6	size	packaging	category
		1 1/2 × ø40	1×bag / 30 (T)	10
	- 1 1/2 × ø40			

a.	485.309.6	size	packaging	category
	Extendible pipe	900÷3000	1×bag / 30 (Q)	10
	- for washing-machine			
	- 900÷3000			

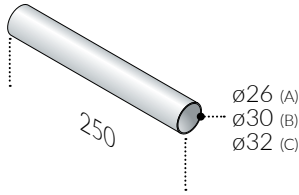


# straight pipes

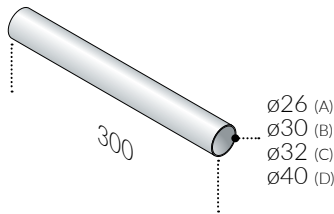
in chrome plated brass and plastic



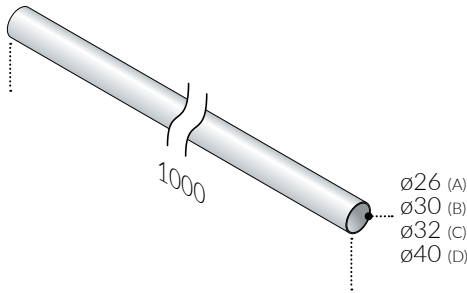
a.	78.190.4	size	packaging	category
	C.p. brass straight pipe	190 × ø26	10×bag	08
	- L. 190			
	- ø26			
b.	78.190.5	190 × ø32	10×bag	08
	- ø32			



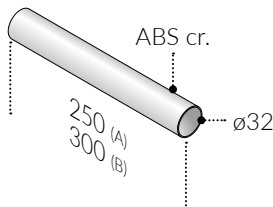
a.	78.250.4	250 × ø26	10×bag	08
	- L. 250			
	- ø26			
b.	78.254.5	250 × ø30	10×bag	08
	- ø30			
c.	78.250.5	250 × ø32	10×bag	08
	- ø32			



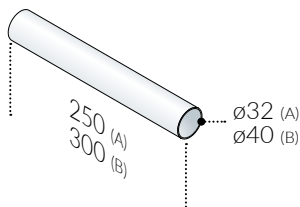
a.	78.300.4	300 × ø26	10×bag	08
	- L. 300			
	- ø26			
b.	78.304.5	300 × ø30	10×bag	08
	- ø30			
c.	78.300.5	300 × ø32	10×bag	08
	- ø32			
d.	78.300.6	300 × ø40	10×bag	08
	- ø40			



a.	78.000.4	1000 × ø26	10×bag	08
	- L. 1000			
	- ø26			
b.	78.004.5	1000 × ø30	10×bag	08
	- ø30			
c.	78.000.5	1000 × ø32	10×bag	08
	- ø32			
d.	78.000.6	1000 × ø40	10×bag	08
	- ø40			



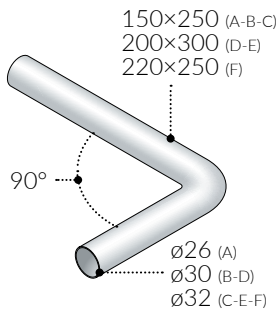
a.	78.250.5.H	size	packaging	category
	C.p. ABS straight pipe	250 × ø32	10×bag	17
	- L. 250			
	- ø32			
b.	78.300.5.H	300 × ø32	10×bag	17
	- L. 300			



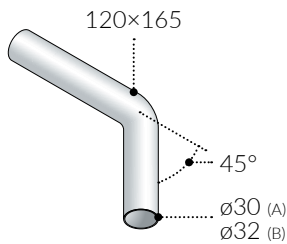
a.	278.250.5	size	packaging	category
	White PP straight pipe	250 × ø32	10×bag	10
	- L. 250			
	- ø32			
b.	278.300.6	300 × ø40	10×bag	10
	- L. 300			
	- ø40			

# bent and flexible pipes

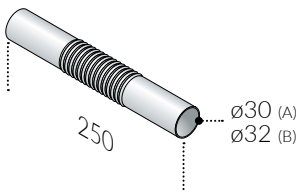
in chrome plated brass



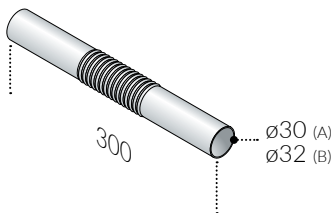
	size	packaging	category
<b>a. 79.200.4</b> C.p. brass bent pipe 90° - 150x250 - ø26	150x250xø26	5xbag / 50 (B)	08
<b>b. 79.204.5</b> - ø30	150x250xø30	5xbag / 50 (B)	08
<b>c. 79.200.5</b> - ø32	150x250xø32	5xbag / 50 (B)	08
<b>d. 79.364.5</b> - 200x300 - ø30	200x300xø30	5xbag / 50 (C)	08
<b>e. 79.360.5</b> - ø32	200x300xø32	5xbag / 50 (C)	08
<b>f. 79.410.5</b> - 220x250 - ø32	220x250xø32	5xbag / 50 (C)	08



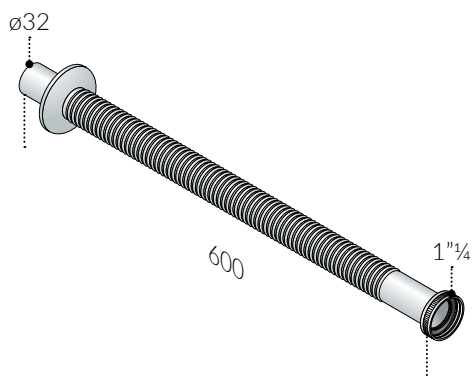
	size	packaging	category
<b>a. 81.254.5</b> C.p. brass bent pipe 45° - L. 250 - ø30	250 x ø30	10xbag	08
<b>b. 81.250.5</b> - ø32	250 x ø32	10xbag	08



	size	packaging	category
<b>a. 85.254.5</b> C.p. copper flexible pipe - L. 250 - ø30	250 x ø30	10xbag	08
<b>b. 85.250.5</b> - ø32	250 x ø32	10xbag	08



<b>a. 85.304.5</b> - L. 300 - ø30	300 x ø30	10xbag	08
<b>b. 85.300.5</b> - ø32	300 x ø32	10xbag	08

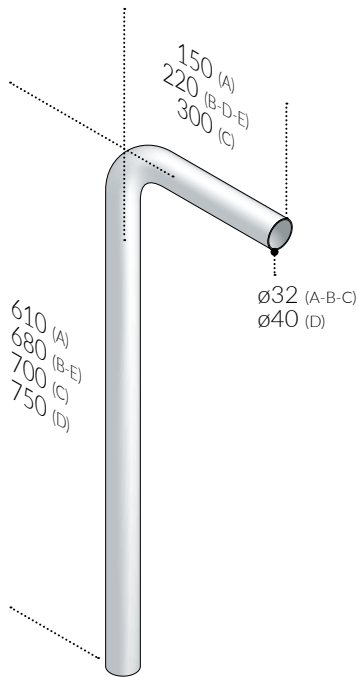


	size	packaging	category
<b>a. 385.600.5.S</b> S/steel flexible pipe - L. 600 - inlet 1"¼ - outlet ø32 - s/steel flange ø65	1"¼ x ø32	10xbag	16

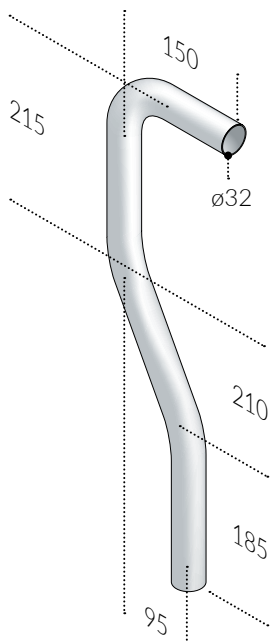
Stainless steel

# floor pipes

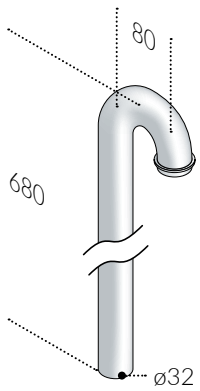
in chrome plated brass and plastic



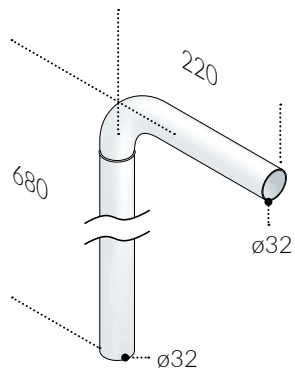
	size	packaging	category
<b>a. 79.320.5</b> C.p. brass floor pipe 90° - 150×610 - ø32	150×610×ø32	1×bag / 50 (D)	08
<b>b. 79.490.5</b> - 220×680 - ø32	220×680×ø32	1×bag / 40 (D)	08
<b>c. 79.700.5</b> - 300×700 - ø32	300×700×ø32	1×bag / 25 (D)	08
<b>d. 79.560.5</b> - 220×750 - ø32	220×750×ø32	1×bag / 60 (L)	08
<b>e. 79.490.6</b> - 220×680 - ø40	220×680×ø40	1×bag / 50 (L)	08



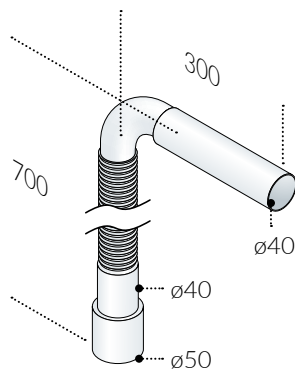
	size	packaging	category
<b>a. 79.330.5</b> C.p. brass floor pipe 90° - eccentric - 150×610 - ø32	150×610×ø32	1×bag / 60 (L)	08



<b>a.</b>	<b>180.680.5</b>	size	packaging	category
	C.p. brass floor pipe 180°	80×680× $\phi$ 32	1×bag / 70 (L)	08
	- 80×680			
	- $\phi$ 32			



<b>a.</b>	<b>279.490.5</b>	size	packaging	category
	PP floor pipe 90°	220×680× $\phi$ 32	1×bag / 50 (L)	10
	- 220×680 rigid			
	- inlet $\phi$ 32			
	- outlet $\phi$ 32			

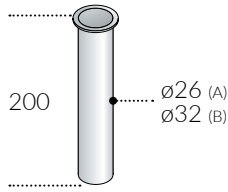


<b>b.</b>	<b>279.509.6</b>	size	packaging	category
	PP floor pipe 90°	300×700× $\phi$ 40	1×bag / 25 (L)	10
	- 300×700 flexible			
	- inlet $\phi$ 40			
	- outlet $\phi$ 40/50			



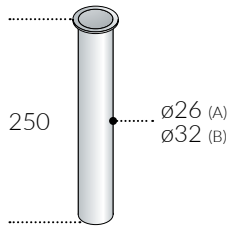
# flanged pipes

in chrome plated brass and plastic



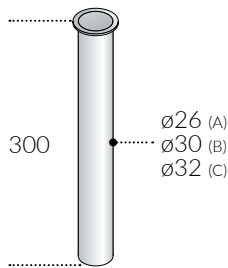
a.	80.200.4	size	packaging	category
	<b>C.p. brass flanged pipe</b>	200 × ø26	10×bag	08
	- without nut nor gasket			
	- L. 200			
	- ø26			

b.	<b>80.200.5</b>	200 × ø32	10×bag	08
	- ø32			



a.	<b>80.250.4</b>	250 × ø26	10×bag	08
	- L. 250			
	- ø26			

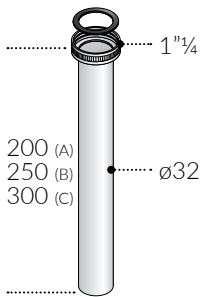
b.	<b>80.250.5</b>	250 × ø32	10×bag	08
	- ø32			



a.	<b>80.300.4</b>	300 × ø26	10×bag	08
	- L. 300			
	- ø26			

b.	<b>80.304.5</b>	300 × ø30	10×bag	08
	- ø30			

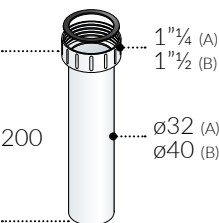
c.	<b>80.300.5</b>	300 × ø32	10×bag	08
	- ø32			



a.	86.196.5	size	packaging	category
	<b>C.p. brass flanged pipe</b>	200 × ø32	10×bag	08
	- with c.p. brass nut and gasket			
	- L. 200			
	- 1"¼ × ø32			

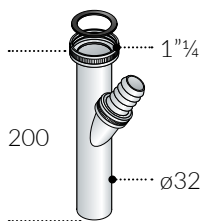
b.	<b>86.256.5</b>	250 × ø32	10×bag	08
	- L. 250			

c.	<b>86.306.5</b>	300 × ø32	10×bag	08
	- L. 300			

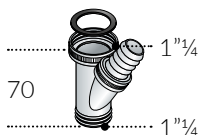


a.	286.206.5	size	packaging	category
	<b>PP flanged pipe</b>	200 × ø32	10×bag	10
	- with PP nut and gasket			
	- L. 200			
	- 1"¼ × ø32			

b.	<b>286.206.6</b>	200 × ø40	10×bag	10
	- 1"½ × ø40			

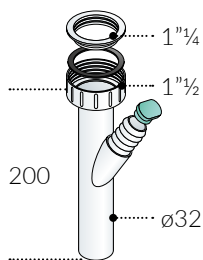


a.	97.205.5	size	packaging	category
	<b>C.p. brass flanged pipe</b>	200 × ø32	10×bag	08
	- with hose connection			
	- with c.p. brass nut and gasket			
	- L. 200			
	- 1 1/4 × ø32			

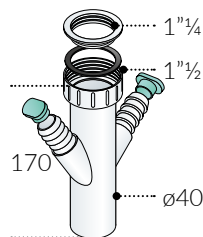


a.	97.087.5	size	packaging	category
	<b>C.p. brass flanged pipe</b>	70 × 1 1/4	10×bag	08
	- L. 70			
	- 1 1/4 × 1 1/4			

To install between waste and trap



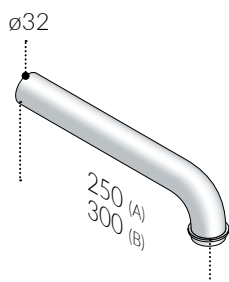
a.	297.219.5	size	packaging	category
	<b>PP flanged pipe</b>	200 × ø32	10×bag	10
	- with 1 hose connection			
	- with nut and gasket			
	- L. 200			
	- 1 1/2 × ø32			
	- with reduction 1 1/2 - 1 1/4			



a.	297.116.6	size	packaging	category
	<b>PP flanged pipe</b>	170 × ø40	10×bag	10
	- with 2 hose connections			
	- L. 170			
	- 1 1/2 × ø40			
	- with reduction 1 1/2 - 1 1/4			

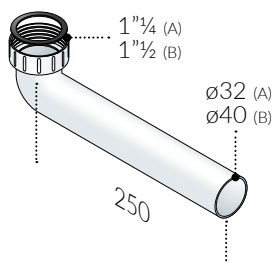
b.	297.176.6	size	packaging	category
	<b>PP flanged pipe</b>	170 × ø40	10×bag	10
	- without reduction			

new



a.	187.250.5	size	packaging	category
	<b>C.p. brass flanged bent pipe (outlet pipe for traps)</b>	250 × ø32	10×bag	08
	- without nut nor gasket			
	- L. 250 mm			
	- 1 1/4 × ø32			

b.	187.300.5	size	packaging	category
	<b>C.p. brass flanged bent pipe (outlet pipe for traps)</b>	300 × ø32	10×bag	08
	- L. 300 mm			

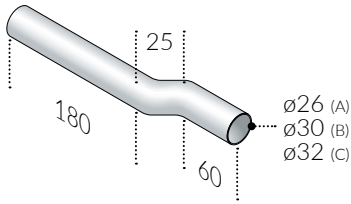


a.	287.257.5	size	packaging	category
	<b>PP flanged bent pipe (inlet pipe for traps)</b>	1 1/4 × ø32	10×bag	10
	- with PP nut and gasket			
	- L. 250 mm			
	- 1 1/4 × ø32			

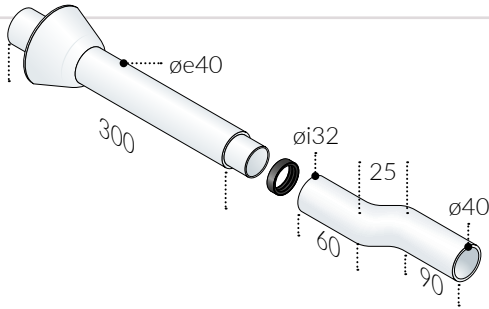
b.	287.257.6	size	packaging	category
	<b>PP flanged bent pipe (inlet pipe for traps)</b>	1 1/2 × ø40	10×bag	10
	- 1 1/2 × ø40			

# extensions and connections

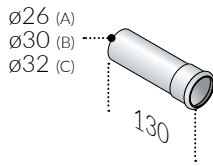
in brass and plastic



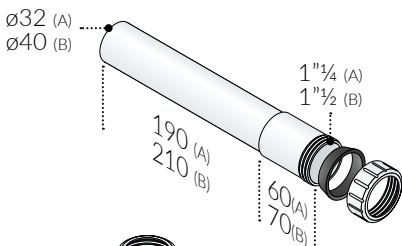
a.	92.300.4	size	packaging	category
	C.p. brass eccentric pipe	300 × ø26	10 - X (bag)	08
	- L. 300			
	- ø26			
b.	92.304.5	300 × ø30	10 - X (bag)	08
	- ø30			
c.	92.300.5	300 × ø32	10 - X (bag)	08
	- ø32			



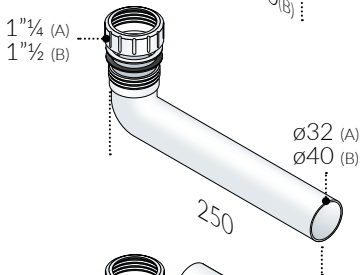
a.	292.155.5	size	packaging	category
	PP eccentric pipe	200 × ø32/40	5 - X (bag)	10
	- L. 200 mm			
	- ø32 × ø40			
b.	292.455.5	500 × ø32/40	5 - X (bag)	10
	- with ABS extension L. 300			
	<span style="background-color: #90EE90; border-radius: 50%; padding: 2px;">new</span>			



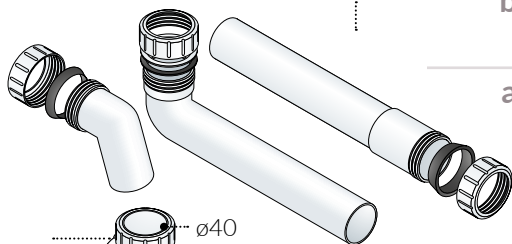
a.	100.130.4	size	packaging	category
	C.p. brass extension tube	130 × ø26	10 - X (bag)	08
	- ø26			
b.	100.134.5	130 × ø30	10 - X (bag)	08
	- ø30			
c.	100.130.5	130 × ø32	10 - X (bag)	08
	- ø32			



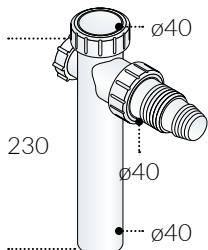
a.	2100.322.5	size	packaging	category
	PP extension tube	250 × ø32	10 - X (bag)	10
	- with nut and gasket			
	- L. 250 mm			
	- 1 1/4 × ø32			



b.	2100.322.6	280 × ø40	10 - X (bag)	10
	- 1 1/2 × ø40			



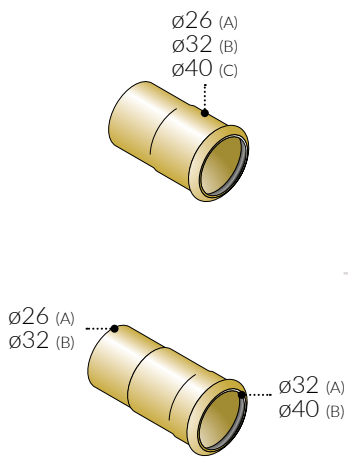
a.	2104.322.5	1 1/4 × ø32	10 - X (bag)	10
	PP extension tube 90°			
	- with nut and gasket			
	- L. 250 mm			
	- 1 1/4 × ø32			
b.	2104.322.6	1 1/2 × ø40	10 - X (bag)	10
	- 1 1/2 × ø40			



a.	2103.302.6	1 1/2 × ø40	10 - X (bag)	10
	PP connections kit			
	- extension L. 250 (2100.322.6)			
	- extension 90° L. 75			
	- extension 45° L. 70			

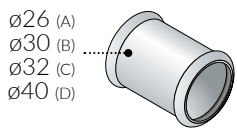
a.	2103.322.6	size	packaging	category
	PP bivalent extension	230 × ø40	10 - X (bag)	10
	- with 1 hose connection			
	- with closing cap			
	- L. 230			

\* Can also be used as a non-trapped washing machine connection



a.	101.170.4.0	size	packaging	category
	<b>Raw brass connection</b>	ø26	10×bag	08
	- with o-ring			
	- ø26			
b.	101.170.5.0	ø32	10×bag	08
	- ø32			
c.	101.170.6.0	ø40	10×bag	08
	- ø40			

a.	101.175.5.0	ø32 × ø26	10×bag	08
	- with diameter reduction			
	- ø32 × ø26			
b.	101.175.6.0	ø40 × ø32	10×bag	08
	- ø40 × ø32			

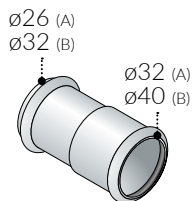


a.	102.160.4	size	packaging	category
	<b>C.p. brass connection</b>	ø26	10×bag	08
	- with 2 o-rings			
	- ø26			

b.	102.164.5	ø30	10×bag	08
	- ø30			

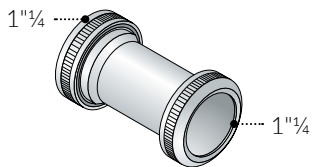
c.	102.160.5	ø32	10×bag	08
	- ø32			

d.	102.160.6	ø40	10 - X (bag)	08
	- ø40			

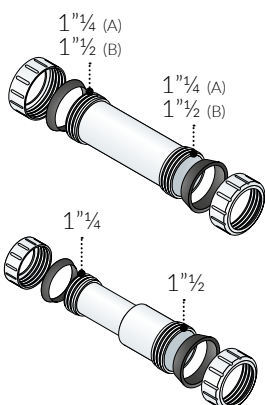


a.	102.165.5	ø32 × ø26	10×bag	08
	- with diameter reduction			
	- ø32 × ø26			

b.	102.165.6	ø40 × ø32	10×bag	08
	- ø40 × ø32			



a.	102.480.5	size	packaging	category
	<b>C.p. brass threaded connection</b>	1 1/4 × 1 1/4	10×bag	08
	- with nuts and gaskets			
	- 1 1/4 × 1 1/4			



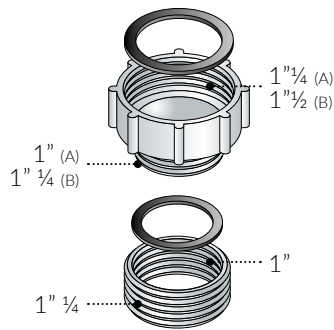
a.	2102.480.5	size	packaging	category
	<b>PP threaded connection</b>	1 1/4 × 1 1/4	10×bag	10
	- with nuts and gaskets			
	- 1 1/4 × 1 1/4			

b.	2102.480.6	1 1/2 × 1 1/2	10×bag	10
	- 1 1/2 × 1 1/2			

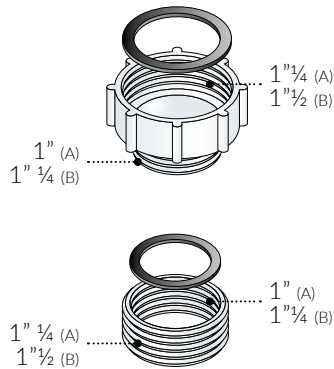
a.	2102.485.6	1 1/2 × 1 1/4	10×bag	10
	- with diameter reduction			
	- 1 1/2 × 1 1/4			

# reductions and tailpieces

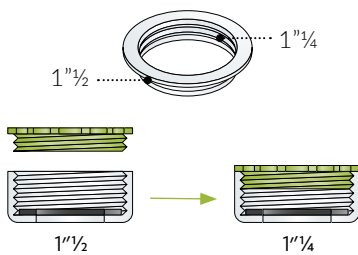
in brass and plastic



a.	52.006.5	size	packaging	category
	C.p. brass reduction - 1" $\times$ 1"	1" $\times$ 1"	10 $\times$ bag	08
b.	52.006.6	1" $\times$ 1" $\times$ 1" $\times$ 1"	10 $\times$ bag	08
	- 1" $\times$ 1" $\times$ 1"			
c.	52.005.5	1" $\times$ 1" $\times$ 1"	10 $\times$ bag	08
	- 1" $\times$ 1" $\times$ 1"			



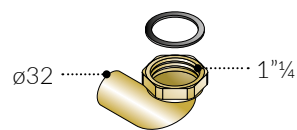
a.	252.006.5	size	packaging	category
	PP reduction - 1" $\times$ 1"	1" $\times$ 1"	10 $\times$ bag	10
b.	252.006.6	1" $\times$ 1" $\times$ 1" $\times$ 1"	10 $\times$ bag	10
	- 1" $\times$ 1" $\times$ 1"			
a.	252.005.5	1" $\times$ 1" $\times$ 1"	10 $\times$ bag	10
	- 1" $\times$ 1" $\times$ 1"			
b.	252.005.6	1" $\times$ 1" $\times$ 1" $\times$ 1"	10 $\times$ bag	10
	- 1" $\times$ 1" $\times$ 1"			



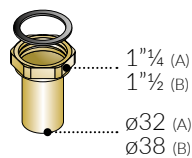
a.	252.905.6	size	packaging	category
	PP invisible reduction - 1" $\times$ 1"	1" $\times$ 1"	10 $\times$ bag	10

✿ It can be used with gasket supplied with the nut

✿ Check compatibility with other manufacturers' nuts



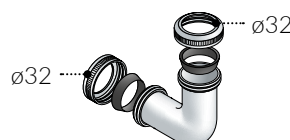
a.	50.210.5.0	size	packaging	category
	Raw brass bent tailpiece - brass nut - 1" $\times$ $\phi$ 32	1" $\times$ $\phi$ 32	10 $\times$ bag	08



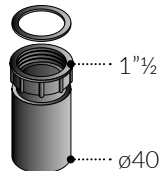
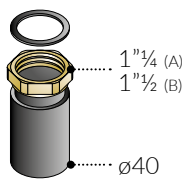
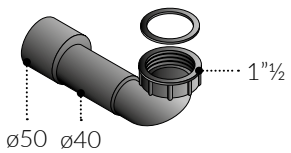
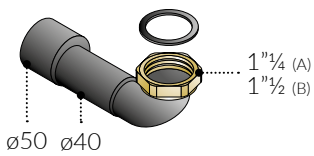
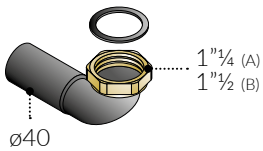
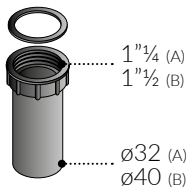
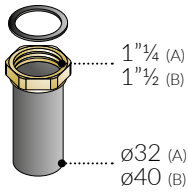
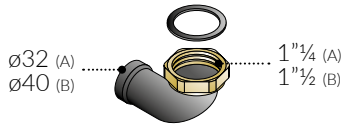
a.	51.250.5.0	size	packaging	category
	Raw brass straight tailpiece - brass nut - 1" $\times$ $\phi$ 32	1" $\times$ $\phi$ 32	10 $\times$ bag	08
b.	51.250.6.0	1" $\times$ $\phi$ 38	10 $\times$ bag	08
	- 1" $\times$ $\phi$ 38			



a.	52.517.5	size	packaging	category
	C.p. brass 90° bent connection - 1" $\times$ $\phi$ 32	1" $\times$ $\phi$ 32	10 $\times$ bag	08



a.	52.417.5	size	packaging	category
	C.p. brass 90° bent connection - $\phi$ 32 $\times$ $\phi$ 32	$\phi$ 32 $\times$ $\phi$ 32	10 $\times$ bag	08



a.	250.211.5	size	packaging	category
	PVC bent tailpiece	1 1/4 x ø32	10 - X (bag)	10
	- brass nut			
	- 1 1/4 x ø32			

b.	250.211.6	1 1/2 x ø40	10 - X (bag)	10
	- 1 1/2 x ø40			

a.	250.311.6	1 1/2 x ø40	10 - X (bag)	10
	- PP nut			
	- 1 1/2 x ø40			

Outlet can be directly glued with PVC pipes

a.	251.241.5	size	packaging	category
	PVC straight tailpiece	1 1/4 x ø32	10 - X (bag)	10
	- brass nut			
	- 1 1/4 x ø32			

b.	251.241.6	1 1/2 x ø40	10 - X (bag)	10
	- 1 1/2 x ø40			

a.	251.341.5	1 1/4 x ø32	10 - X (bag)	10
	- PP nut			
	- 1 1/4 x ø32			

b.	251.341.6	1 1/2 x ø40	10 - X (bag)	10
	- 1 1/2 x ø40			

Outlet can be directly glued with PVC pipes

a.	250.213.5	size	packaging	category
	PEHD bent tailpiece	1 1/4 x ø40	10 - X (bag)	10
	- brass nut			
	- 1 1/4 x ø40			

b.	250.213.6	1 1/2 x ø40	10 - X (bag)	10
	- 1 1/2 x ø40			

a.	250.218.5	1 1/4 x ø40/50	10 - X (bag)	10
	- 1 1/4 x ø40/50			

b.	250.218.6	1 1/2 x ø40/50	10 - X (bag)	10
	- 1 1/2 x ø40/50			

a.	250.313.6	1 1/2 x ø40	10 - X (bag)	10
	- PP nut			
	- 1 1/2 x ø40			

b.	250.318.6	1 1/2 x ø40/50	10 - X (bag)	10
	- 1 1/2 x ø40/50			

PEHD outlet to be soldered with PEHD pipes

a.	251.253.5	size	packaging	category
	PEHD straight tailpiece	1 1/4 x ø40	10 - X (bag)	10
	- brass nut			
	- 1 1/4 x ø40			

b.	251.253.6	1 1/2 x ø40	10 - X (bag)	10
	- 1 1/2 x ø40			

a.	251.353.6	1 1/2 x ø40	10 - X (bag)	10
	- PP nut			
	- 1 1/2 x ø40			

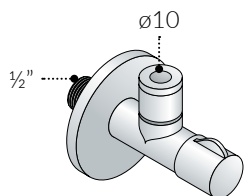
PEHD outlet to be soldered with PEHD pipes



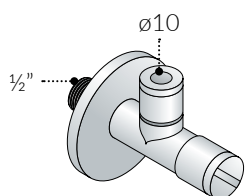


## angle valves

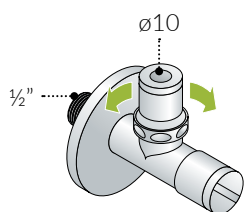
in chrome plated brass



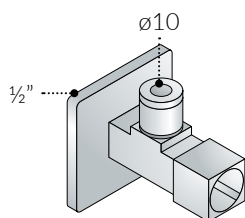
a.	7320.131.2.K	size	packaging	category
	Chrome plated brass angle valve	1/2" x ø10	2xbox / 20 (T)	07
	<ul style="list-style-type: none"> <li>- model Toti</li> <li>- without filter</li> <li>- c.p. brass flange ø60</li> </ul>			



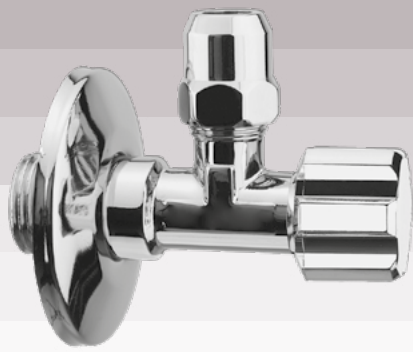
b.	7320.431.2.K	size	packaging	category
	Chrome plated brass angle valve	1/2" x ø10	2xbox / 20 (T)	07
	<ul style="list-style-type: none"> <li>- model Toti</li> <li>- with filter</li> <li>- c.p. brass flange ø60</li> </ul>			



c.	7320.441.2.K	size	packaging	category
	Chrome plated brass angle valve	1/2" x ø10	2xbox / 20 (T)	07
	<ul style="list-style-type: none"> <li>- model Toti</li> <li>- with filter</li> <li>- jointed outlet</li> <li>- c.p. brass flange ø60</li> </ul>			

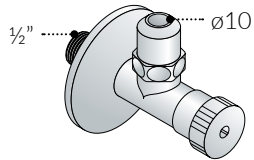


d.	7340.431.2.K	size	packaging	category
	Chrome plated brass angle valve	1/2" x ø10	2xbox / 20 (T)	07
	<ul style="list-style-type: none"> <li>- model Quasar</li> <li>- with filter</li> <li>- c.p. brass flange ø55</li> </ul>			



# angle valves and mixer-hose connections

in chrome plated brass

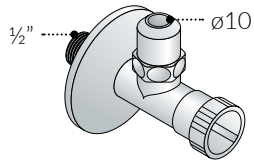


**a. 3320.131.2**

Chrome plated brass  
angle valve

- without filter
- s/steel flange  $\phi 55$

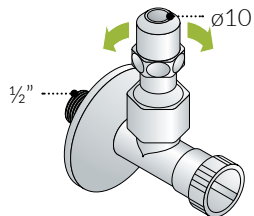
size	packaging	category
$\frac{1}{2}'' \times \phi 10$	1xbox / 60 (I)	07



**b. 3320.132.2**

- with filter
- s/steel flange  $\phi 55$

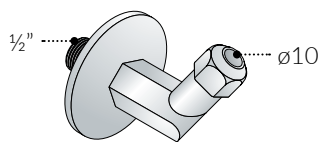
size	packaging	category
$\frac{1}{2}'' \times \phi 10$	1xbox / 60 (I)	07



**c. 3320.142.2**

- with filter
- jointed outlet
- s/steel flange  $\phi 55$

size	packaging	category
$\frac{1}{2}'' \times \phi 10$	1xbox / 60 (I)	07

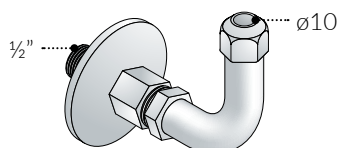


**a. 3053.131.2**

Chrome plated brass  
mixer-hose connection

- 45°
- s/steel flange  $\phi 55$

size	packaging	category
$\frac{1}{2}'' \times \phi 10$	8xbox / 120 (T)	07



**b. 3054.131.2**

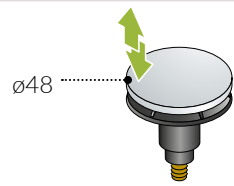
- 90°
- s/steel flange  $\phi 55$

size	packaging	category
$\frac{1}{2}'' \times \phi 10$	6xbox / 90 (T)	07

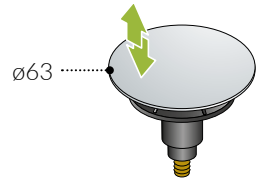


# plugs for washbasin and sink wastes

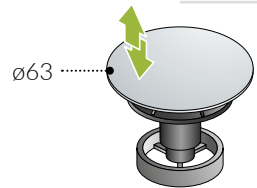
spare plugs for washbasin wastes and sink wastes



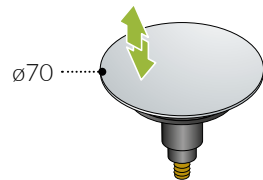
a.	137.049.0	size	packaging	category
	Spare plug for automatic wastes for washbasin - 3530 p. 38	ø48	5×bag	08



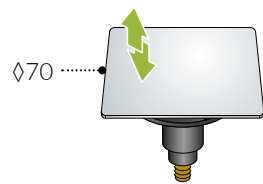
b.	137.036.0	ø63	5×bag	08
	for - 7533 p. 6 - 8530 p. 7 - 4830 p. 39			



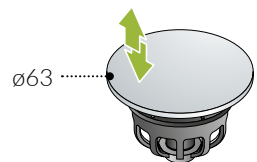
c.	137.027.0	ø63	5×bag	08
	for - 8532 p. 14			



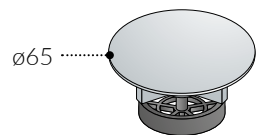
d.	137.053.0	ø70	5×bag	08
	for - 8530 p. 9			



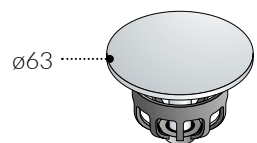
e.	137.037.0	ø70	5×bag	08
	for - 8540 p. 8			



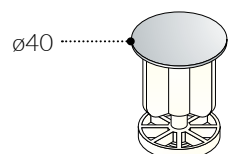
f.	137.097.1	ø63	5×bag	08
	for - 7532 p. 17	new		



a.	119.713.5	size	packaging	category
	Spare grid for free flow wastes for washbasin - 147 p. 10 - 542 p. 15	ø65	5×bag	08



b.	137.098.1	ø63	5×bag	08
	for - 7542 p. 19	new		



a.	120.360.5	size	packaging	category
	Spare plug for pop-up wastes for washbasin - 529 p. 41	ø40	5×bag	08

ø38,5 (A)  
 ø40,5 (B)  
 ø50,5 (C)



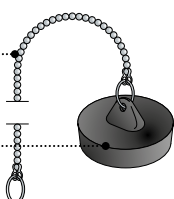
	size	packaging	category
<b>a. 120.120.5</b> Spare plug with triangle - ø38,5	ø38,5	10×bag	08
<b>b. 120.820.5</b> - ø40,5	ø40,5	10×bag	08
<b>c. 120.120.7</b> - ø50,5	ø50,5	10×bag	08

ø38,5 (A)  
 ø45,5 (B)  
 ø50,5 (C)



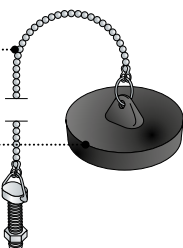
<b>a. 120.170.5</b> Spare plug with handle - ø38,5	ø38,5	10×bag	08
<b>b. 120.170.6</b> - ø45,5	ø45,5	10×bag	08
<b>c. 120.170.7</b> - ø50,5	ø50,5	10×bag	08

250  
 ø38,5 (A)  
 ø40,5 (B)

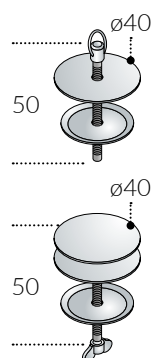
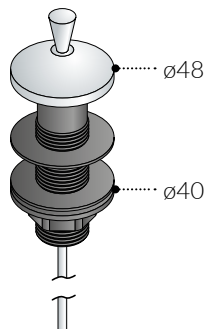


<b>a. 120.111.5</b> Spare plug with chain and ring - ø38,5 - chain L. 250	ø38,5	10×bag	08
<b>b. 120.811.5</b> - ø40,5	ø40,5	10×bag	08

250 (A)  
 300 (B)  
 ø45,5 (A)  
 ø50,5 (B)



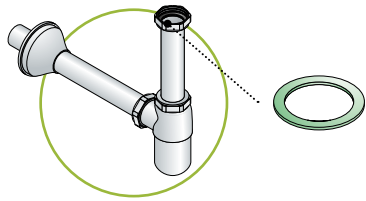
<b>a. 120.112.6</b> Spare plug with chain and stay - 45,5 - chain L. 250	ø45,5	10×bag	08
<b>b. 120.112.0</b> - ø50,5 - chain L. 300	ø50,5	10×bag	08



	size	packaging	category
<b>a. 121.099.0</b> Vertical rod - ø48 × H. 340 mm	ø48 × H. 350	10×bag	08
<b>a. 121.020.0</b> Cover - ø40 × H. 50 mm	ø40 × H. 50	10×bag	08
<b>b. 121.490.0</b> - ø40 × H. 50 mm	ø40 × H. 50	10×bag	08

# gaskets for traps

plate, conical and specific gaskets for traps



a.	125.200.4	size	packaging	category
	<b>Plate gasket</b>	1"	10×bag	10
	- without asbestos			
	- 1"			

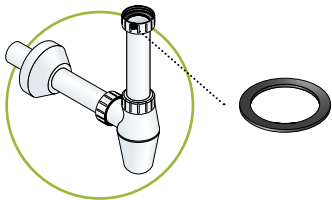
b.	125.200.5	1 1/4"	10×bag	10
	- 1 1/4"			

c.	125.200.6	1 1/2"	10×bag	10
	- 1 1/2"			



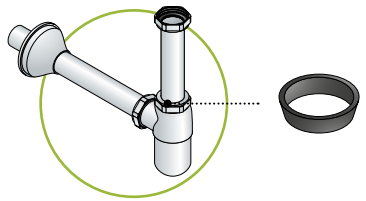
a.	125.730.5	1 1/4"	10×bag	10
	- in rubber, flanged			
	- 1 1/4"			

\* Protects the internal edge of the inlet pipe



a.	125.230.5	1 1/4"	10×bag	10
	- in rubber			
	- 1 1/4"			

b.	125.230.6	1 1/2"	10×bag	10
	- 1 1/2"			



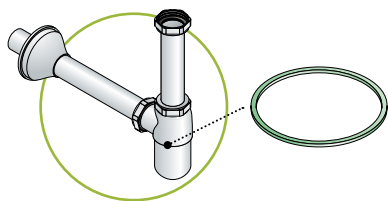
a.	124.320.4	size	packaging	category
	<b>Conical gasket</b>	1"	10×bag	10
	- in PVC			
	- 1"			

b.	124.330.5	1 1/4"	10×bag	10
	- in rubber			
	- 1 1/4"			

c.	124.330.6	1 1/2"	10×bag	10
	- 1 1/2"			

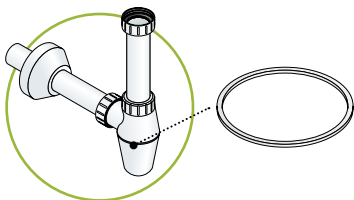


a.	124.331.5	1 1/4"	10×bag	10
	- specific for Tea products			
	- 1 1/4"			



a.	137.081.0	size	packaging	category
	<b>Specific for bottle traps</b>	52 × 44	10×bag	10
	- without asbestos			
	- 317 p. 57			

b.	137.082.0	59 × 52	10×bag	10
	- 17 p. 58			



a.	137.090.0	71 × 64	10×bag	10
	- in PVC			
	- 217-218 p. 68-71			
	- 2517 p. 72			

# nuts

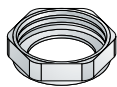
in brass and plastic



a.	114.000.5.0	size	packaging	category
	Raw brass hexagonal nut - 1"¼	1"¼	10×bag	08
b.	114.000.6.0	1"½	10×bag	08
	- 1"½			



a.	114.590.5.0	1"¼	10×bag	08
	Raw brass hexagonal nut H.15 - 1"¼	<span style="background-color: #90EE90;">new</span>		
b.	114.590.6.0	1"½	10×bag	08
	- 1"½	<span style="background-color: #90EE90;">new</span>		



a.	114.000.5	1"¼	10×bag	08
	C.p. brass hexagonal nut - 1"¼			
b.	114.000.6	1"½	10×bag	08
	- 1"½			



a.	114.001.5.0	1"¼	10×bag	08
	Raw brass knurled nut - 1"¼			
b.	114.001.6.0	1"½	10×bag	08
	- 1"½			



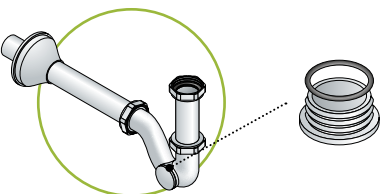
a.	114.001.5	1"¼	10×bag	08
	C.p. brass knurled nut - 1"¼			
b.	114.001.6	1"½	10×bag	08
	- 1"½			



a.	2114.002.4	size	packaging	category
	PP nut - 1"	1"	10×bag	10
b.	2114.002.5	1"¼	10×bag	10
	- 1"¼			



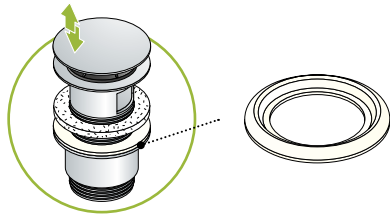
c.	2114.002.6	1"½	10×bag	10
	- 1"½			
a.	2114.504.6	1"½	10×bag	10
	- specific for Tea products - with washer - 1"½			



a.	137.086.0	size	packaging	category
	C.p. brass check hole plug - 322 p. 57 - 324 p. 57		10×bag	08
b.	137.087.0		10×bag	08
	- 22 p. 58 - 24 p. 58			
c.	137.088.0		10×bag	08
	- 390 p. 56			

# gaskets for wastes

gaskets for washbasin, sink, bathtub and shower tray wastes



**a. 123.421.0**

Shaped gasket  
for washbasin wastes

- 147 p. 10
- 529 p. 41
- 555 p. 40
- 3530 p. 38
- 7532 p. 17
- 7533 p. 6
- 7542 p. 19
- 8530 p. 7 / 9
- 8532 p. 14
- 8540 p. 8
- 8542 p. 14

size

øint 42

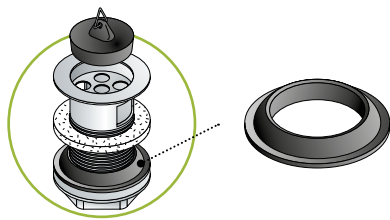
new

packaging

10×bag

category

10



**a. 123.321.5**

Shaped gasket  
for washbasin wastes

- 29 p. 44
- 30 p. 45

size

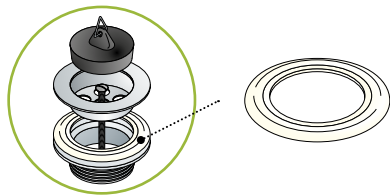
øint 40

packaging

10×bag

category

10



**a. 123.420.0**

Shaped gasket  
for washbasin wastes (ø63)

- 34 p. 42
- 55 p. 42
- 234 p. 43

size

øint 42

packaging

10×bag

category

10



**b. 123.621.0**

for sink wastes (ø80)

- 34 p. 98
- 234 p. 97

size

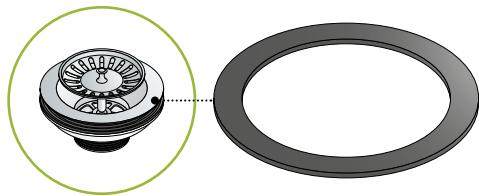
øint 67

packaging

10×bag

category

10



**a. 123.502.0**

Plate gasket  
for sink basket strainer

- 133 p. 92-93

size

øint 93

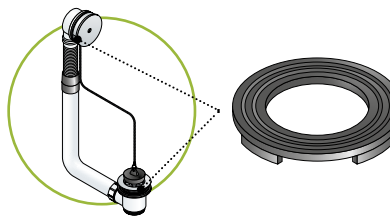
new

packaging

10×bag

category

10



**b. 123.523.0**

Plate gasket  
for bathtub wastes

- 98 p. 141
- 298 p. 140
- 312 p. 140

size

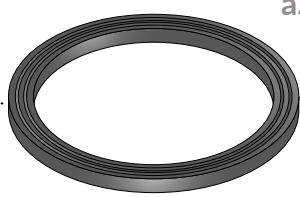
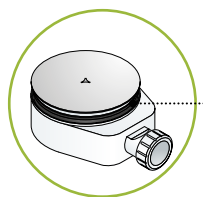
øint 50

packaging

10×bag

category

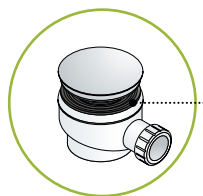
10



**a. 123.505.0**

Plate gasket  
for  $\phi 90$  holed tray wastes  
- 5261 p. 112  
- 5258 p. 112  
- 6561 p. 117 (6561.106.6)  
- 6621 p. 119 (6621.101.6)  
- 6721 p. 121 (6721.101.6)

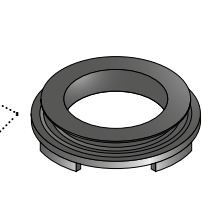
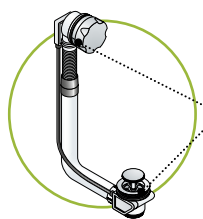
size	packaging	category
$\phi$ int 92	10×bag	10



**b. 123.504.0**

Plate gasket  
for  $\phi 60$  holed tray wastes  
- 61 p. 128  
- 254 p. 126  
- 256 p. 127  
- 257 p. 125  
- 261 p. 124  
- 361 p. 128  
- 461 p. 124  
- 661 p. 123

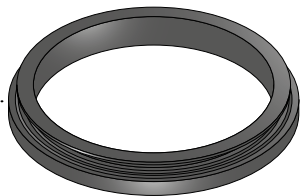
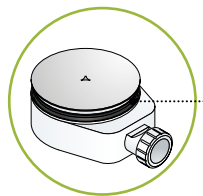
$\phi$ int 57	10×bag	10
---------------	--------	----



**a. 123.524.0**

Flanged gasket  
for bathtub wastes  
- 295 p. 136  
- 301 p. 137  
- 399 p. 134  
- 595 p. 135

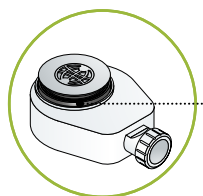
size	packaging	category
$\phi$ int 48	10×bag	10



**b. 123.527.0**

Flanged gasket  
for  $\phi 90$  holed tray wastes  
- 5661 p. 113  
- 6241 p. 115  
- 6261 p. 114-113  
- 6561 p. 116-117  
- 6621 p. 118-119  
- 6721 p. 120-121

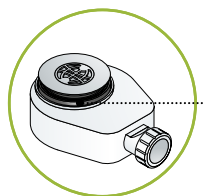
$\phi$ int 89	10×bag	10
---------------	--------	----



**c. 123.525.0**

Flanged gasket  
for  $\phi 50$  holed tray wastes  
- 6461 p. 122

$\phi$ int 48	10×bag	10
---------------	--------	----



**d. 123.526.0**

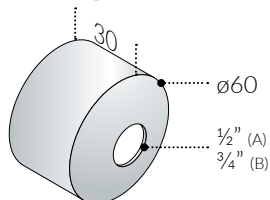
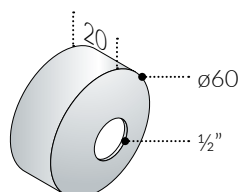
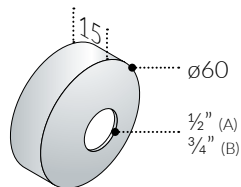
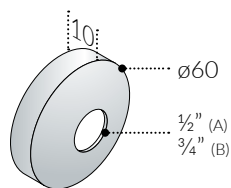
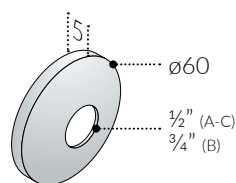
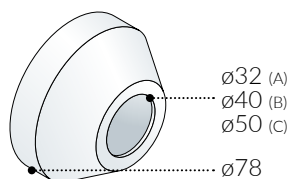
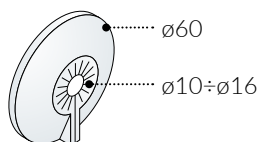
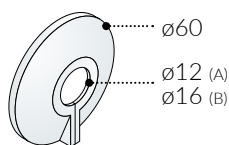
Flanged gasket  
for  $\phi 60$  holed tray wastes  
- 6461 p. 122

$\phi$ int 58	10×bag	10
---------------	--------	----



# wall flanges

in chrome plated brass, stainless steel and plastic



a.	2115.114.2	size	packaging	category
	PP wall flange for angle valves	ø12	100×bag	10
	- external ø60			
	- internal ø12			

b.	2115.114.3	ø16	100×bag	10
	- internal ø16			

a.	2115.119.1	ø10 ÷ ø16	100×bag	10
	- universal			
	- internal ø10÷ø16			

a.	2115.110.5	size	packaging	category
	PP wall flange for traps	ø32	10×bag	10
	- external ø78			
	- internal ø32			

b.	2115.110.6	ø40	10×bag	10
	- internal ø40			

c.	2115.110.8	ø50	10×bag	10
	- internal ø50			

a.	118.310.2	size	packaging	category
	C.p.brass flange for angle valves	1/2"	100×bag	08
	- external ø60			
	- thickness 5			
	- internal 1/2"			

b.	118.310.3	3/4"	100×bag	08
	- internal 3/4"			

c.	118.210.2	1/2"	100×bag	08
	- internal 1/2"			
	- in s/steel			

Stainless steel

a.	118.320.2	1/2"	100×bag	08
	- thickness 10			
	- internal 1/2"			

b.	118.320.3	3/4"	100×bag	08
	- internal 3/4"			

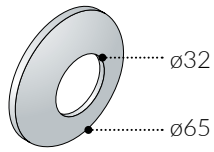
a.	118.330.2	1/2"	100×bag	08
	- thickness 15			
	- internal 1/2"			

b.	118.330.3	3/4"	100×bag	08
	- internal 3/4"			

a.	118.340.2	1/2"	100×bag	08
	- thickness 20			
	- internal 1/2"			

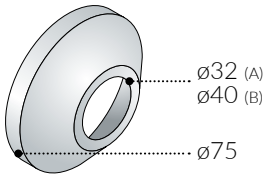
a.	118.360.2	1/2"	100×bag	08
	- thickness 30			
	- internal 1/2"			

b.	118.360.3	3/4"	100×bag	08
	- internal 3/4"			



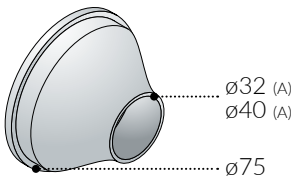
a.	115.210.5	size	packaging	category
	<b>Wall flange for traps</b>	ø32	10×bag	08
		- external ø65 in s/steel		
		- internal ø32		

b.	115.310.5	ø32	10×bag	08
		- in c.p. brass		



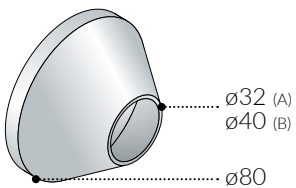
a.	115.220.5	ø32	10×bag	08
		- external ø75 in s/steel		
		- internal ø32		

b.	115.220.6	ø40	10×bag	08
		- internal ø40		



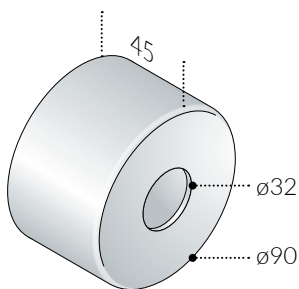
a.	115.320.5	ø32	10×bag	08
		- external ø75 in c.p. brass		
		- internal ø32		

b.	115.320.6	ø40	10×bag	08
		- internal ø40		

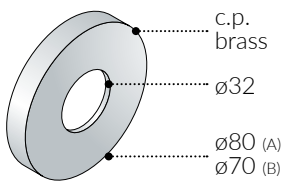


a.	115.350.5	ø32	10×bag	08
		- external ø80 in c.p. brass		
		- internal ø32		

b.	115.350.6	ø40	10×bag	08
		- internal ø40		

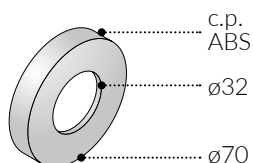


a.	115.340.5	ø32	10×bag	08
		- external ø90 in c.p. brass		
		- internal ø32		
		- thickness 45		



a.	115.390.5	size	packaging	category
	<b>Wall flange for design traps</b>	ø32	10×bag	08
		- external ø80 in c.p. brass		
		- internal ø32		

b.	115.200.5	ø32	10×bag	08
		- external ø70		

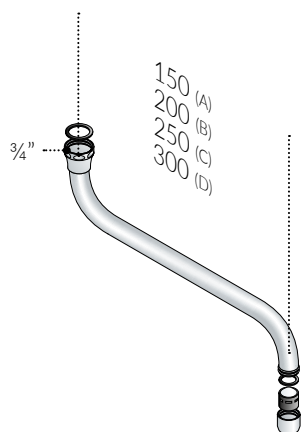


a.	115.400.5	ø32	10×bag	10
		- external ø80 in c.p. ABS		
		- internal ø32		

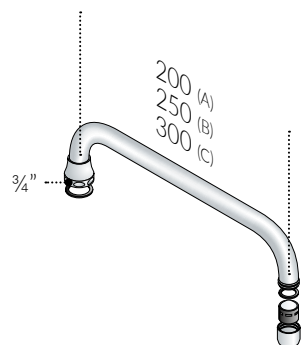


## spouts

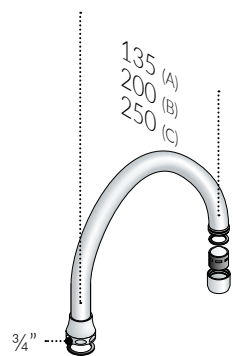
in chrome plated brass



a.	3022.151.3	size	packaging	category
	C.p. brass spout "S" - 3/4" x ø18 - aerator DIN approved - L. 150	3/4" x ø18 <span style="background-color: #90EE90; border-radius: 50%; padding: 2px;">new</span>	10xbox / 100 (C)	07
b.	3022.201.3 - L. 200	3/4" x ø18	10xbox / 100 (C)	07
c.	3022.251.3 - L. 250	3/4" x ø18	10xbox / 100 (A)	07
d.	3022.301.3 - L. 300	3/4" x ø18	5xbox / 50 (A)	07



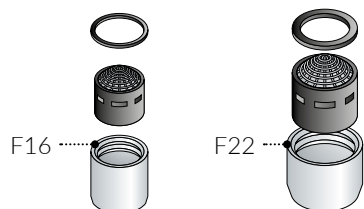
a.	3024.201.3	size	packaging	category
	C.p. brass spout "U" - 3/4" x ø18 - aerator DIN approved - L. 200	3/4" x ø18	10xbox / 100 (C)	07
b.	3024.251.3 - L. 250	3/4" x ø18	10xbox / 100 (A)	07
c.	3024.301.3 - L. 300	3/4" x ø18	10xbox / 100 (A)	07



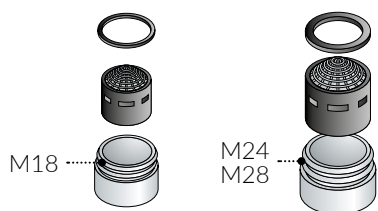
a.	3026.121.3	size	packaging	category
	C.p. brass spout "J" - 3/4" x ø18 - aerator DIN approved - L. 135	3/4" x ø18	10xbox / 100 (C)	07
b.	3026.201.3 - L. 200	3/4" x ø18	10xbox / 100 (C)	07
c.	3026.251.3 - L. 250	3/4" x ø18	10xbox / 100 (Q)	07

# aerators and accessories for sink

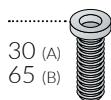
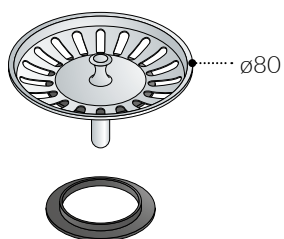
c.p. brass aerators and other spare parts for sink



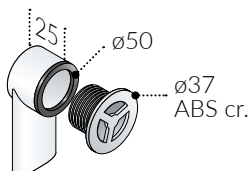
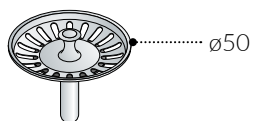
	size	packaging	category
<b>a. 3070.500.0</b> C.p. brass aerator - F16 × 1	F16 × 1	10×bag	07
<b>b. 3070.600.0</b> - F22 × 1	F22 × 1	10×bag	07
<b>c. 3070.508.0</b> - with water-saver - F16 × 1	F16 × 1	10×bag	07
With water-saver, 8 l/min limited water flow			
<b>d. 3070.608.0</b> - with water-saver - F22 × 1	F22 × 1	10×bag	07
With water-saver, 8 l/min limited water flow			



<b>a. 3070.000.0</b> - M18 × 1	M18 × 1	10×bag	07
<b>b. 3070.200.0</b> - M24 × 1	M24 × 1	10×bag	07
<b>c. 3070.300.0</b> - M28 × 1	M28 × 1	10×bag	07
<b>d. 3070.008.0</b> - with water-saver - M18 × 1	M18 × 1	10×bag	07
With water-saver, 8 l/min limited water flow			
<b>e. 3070.208.0</b> - with water-saver - M24 × 1	M24 × 1	10×bag	07
With water-saver, 8 l/min limited water flow			





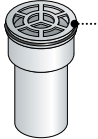
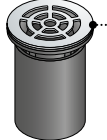


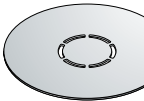


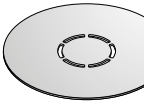
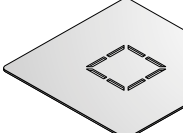
	size	packaging	category
<b>a. 137.070.0</b> Basket strainer (Pic nic) spare parts - s/steel plug ø80, with washer	ø80	10×bag	08
<b>b. 137.070.9</b> - plug washer	ø50	10×bag	08
<b>a. 137.071.0</b> - screw - L. 30	L. 30	10×bag	08
<b>b. 137.072.0</b> - L. 65	L. 65	10×bag	08

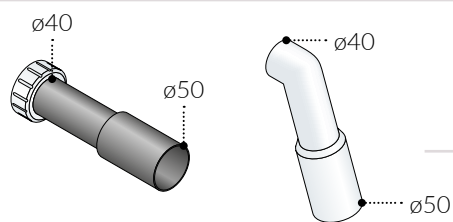


	size	packaging	category
<b>a. 137.079.0</b> Basket strainer (Punnet) spare parts - s/steel plug ø50, with washer	ø50	10×bag	08
<b>a. 137.022.0</b> Overflow set for sink wastes - with c.p. ABS grid - with washer - for ø30 holed	ø30	10×bag	10

# for shower tray and bathtub wastes

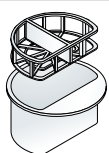
spare parts for shower tray wastes and bathtub wastes

	a.	119.310.0	size	packaging	category
		C.p. brass spare grid ø65 for - 58 p. 128	ø65	10×bag	08
	a.	119.410.0	ø45	10×bag	08
		C.p. brass spare grid ø45 for - 257 p. 125 - 261 p. 124			
	a.	119.510.0	ø45	10×bag	08
		C.p. brass spare grid ø45 for - 61 p. 128			
	a.	119.910.0	ø57	10×bag	08
		C.p. brass spare grid ø57 for - 361 p. 128			
	a.	119.511.0	ø45	10×bag	08
		C.p. brass spare grid ø45 for - 661 p. 123 - 6461 p. 122			
	a.	119.525.0	ø85	10×bag	10
		C.p. ABS spare grid ø85 for - 461 p. 124 - 661 p. 123 - 6461 p. 122			
	a.	119.512.0	ø118	10×bag	08
		C.p. metal spare grid ø118 for - 5261 p. 112 - 6261 p. 115			
	a.	119.522.0	ø118	10×bag	10
		C.p. ABS spare grid ø118 for - 5261 p. 112 - 6621 p. 119 - 6261 p. 114 - 6721 p. 120 - 6621 p. 118			
	a.	119.522.0.B	ø118	10×bag	10
		White ABS spare grid ø118 for - 5261 p. 112 - 6621 p. 119 - 6261 p. 114 - 6721 p. 120 - 6621 p. 118	new		
	a.	119.523.0	ø118	10×bag	10
		C.p. ABS spare grid ø118 for - 5661 p. 113	new		
	a.	119.527.0	ø120	10×bag	10
		C.p. ABS spare grid ø120 for - 5641 p. 113 - 6241 p. 115	new		

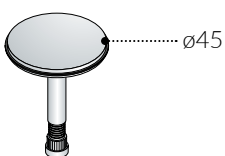


a.	278.155.6	size	packaging	category
	<b>Tailpiece</b>	ø40/50	10×bag	10
	- ø40/50			
	- straight in PEHD			

a.	2188.250.8	ø40/50	10×bag	10
	- bent 45° in PP			

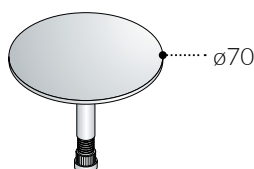


a.	137.056.0	size	packaging	category
	<b>Trap for shower tray wastes</b>		10×bag	10
	- 6241 p. 115			
	- 6261 p. 114-115			
	- 6561 p. 116-117			



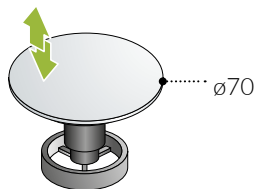
a.	137.061.0	size	packaging	category
	<b>C.p. brass spare plug ø45 for</b>	ø45	10×bag	08
	- 295 p. 136 - 491 p.137			
	- 301 p. 137 - 595 p.135			

b.	137.063.0	ø45	10×bag	08
	- 399 p. 134			

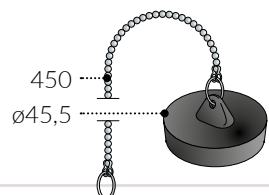


a.	137.052.0	ø70	10×bag	08
	<b>C.p. brass spare plug ø70 for</b>			
	- 8295 p. 138			
	- 8301 p. 138			
	- 8491 p. 138			

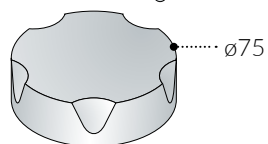
b.	137.047.1	ø70	10×bag	08
	- 8305 in c.p. ABS			



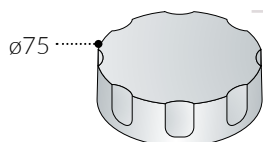
a.	137.039.0	ø70	10×bag	08
	<b>C.p. brass spare plug ø70 for</b>			
	- 2868 p. 133			
	- 8568 p. 132			



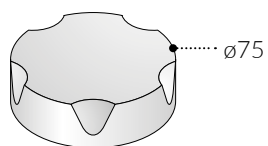
a.	120.113.6	ø45,5	10×bag	10
	<b>Spare plug ø45,5 for</b>			
	- 98 p. 140			
	- 298 p. 140			
	- 312 p. 140			



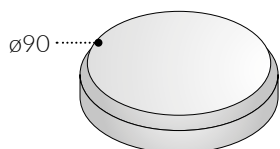
a.	137.044.0	size	packaging	category
	<b>C.p. metal spare handle for</b>	ø75	10×bag	08
	- 295/301 p. 136			
	- 595 p. 135			
	- 8295/8301 p. 138			



a.	137.043.0	ø75	10×bag	08
	<b>C.p. metal spare handle for</b>			
	- 399 p. 134			



a.	137.051.0	ø75	10×bag	10
	<b>C.p. ABS spare handle for</b>			
	- 8305			

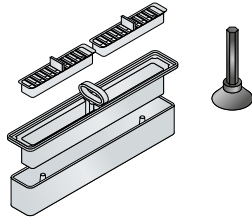


a.	137.047.0	ø90	10×bag	10
	<b>C.p. ABS spare handle for</b>			
	- 491 p. 137			
	- 595 p. 135			
	- 8491 p. 138			

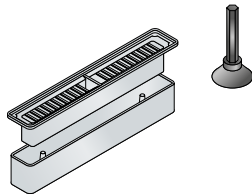


# for shower channels

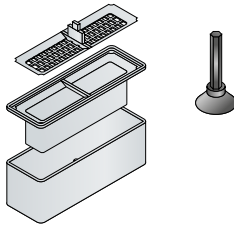
## spare parts and accessories for shower channels



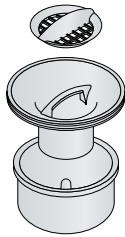
a.	137.007.0	size	packaging	category
	Trap for channels		10×bag	10
	- 943 p. 180-181			
	- 953 p. 154 / 158			
	- 963 p. 178			
	- 983 p. 148			
	- 6963 p. 152 / 169			



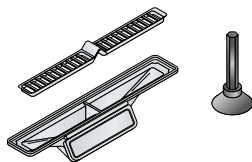
b.	137.029.0	size	packaging	category
	for		10×bag	10
	- 953 p. 166	new		
	- 975 p. 192			
	- 4943 p. 188-189			
	- 5963 p. 172			
	- 5953 p. 162 / 170			



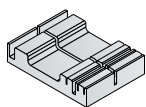
c.	137.009.0	size	packaging	category
	for		10×bag	10
	- 972 p. 147			
	- 973 p. 146			



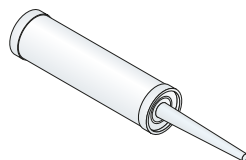
d.	137.014.0	size	packaging	category
	for		10×bag	10
	- 971 p. 179	new		



a.	137.023.0	size	packaging	category
	Dry trap for channels		10×bag	10
	- 943 p. 182-183 / 185	new		
	- 953 p. 156 / 167			
	- 963 p. 178 (accessory)			
	- 975 p. 192 (accessory)			
	- 983 p. 150			
	- 4943 p. 190-191			
	- 5953 p. 164 / 171			
	- 5963 p. 174			
	- 6963 p. 152 / 169 (accessory)			



a.	987.200.0	size	packaging	category
	Cutting template for channels		1 - X (bag)	10
	- 982 p. 151			
	- 983 p. 148 / 150			

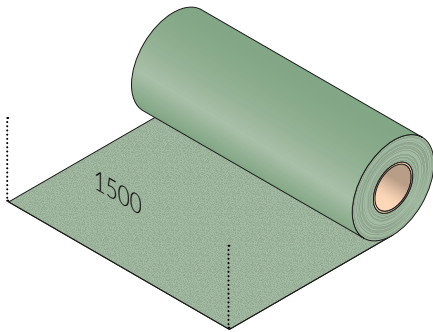


a.	979.821.0	size	packaging	category
	Deflow MS resin	290 ml	1 - X (bag)	08
	- MS polymer based mastic to be used for sealing the perimeter area of the shower channel in case of installation with resin floors	new		
	- 290 ml			

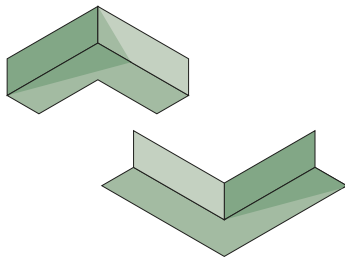
To use for resin floors

# for waterproofing

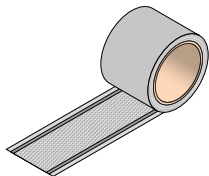
complementary and accessories for waterproofing



a.	979.141.0	size	packaging	category
	<b>Deflow Tech</b>	5 m	1×bag	08
	- waterproof tech fabric	<span>new</span>		
	- 1.500 mm			
	- 5 meters roll			
b.	979.142.0	size	packaging	category
	<b>Deflow Tech</b>	20 m	1×bag	08
	- 20 meters roll	<span>new</span>		

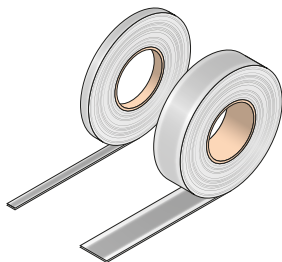


a.	979.300.0	size	packaging	category
	<b>Deflow Tech</b>		1×bag	08
	- waterproof tech fabric	<span>new</span>		
	- angle component			
b.	979.500.0	size	packaging	category
	<b>Deflow Tech</b>		1×bag	08
	- edge component	<span>new</span>		



a.	979.907.0	size	packaging	category
	<b>Deflow Tech</b>	2,5 m	10×bag	08
	- waterproof tech fabric with elastoplastic double-sided tape	<span>new</span>		
	- perimetric waterproofing kit for shower channels			
	- 2,5 meters roll			

Included in standard package



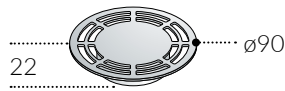
a.	979.810.0	size	packaging	category
	<b>Deflow Seal</b>	15 m	1×bag	08
	- elastoplastic double-sided tape to seal all the junctions and joints	<span>new</span>		
	- 15 meters roll			
	- tape width 15 mm			
b.	979.811.0	size	packaging	category
	<b>Deflow Seal</b>	15 m	1×bag	08
	- tape width 50 mm	<span>new</span>		

[omptea.eu/installation](http://omptea.eu/installation)

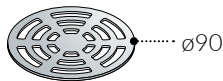
- stratigraphic section of the waterproofing
- waterproofing security levels
- products for waterproofing
- instructions for the waterproofing

# for floor drains

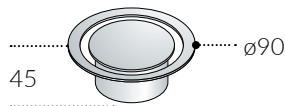
## spare parts and accessories for floor drains



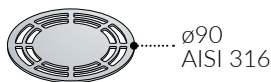
a.	119.610.0	size	packaging	category
	Chrome plated brass grid for floor drains, model Standard - 62/65 p. 216	ø90 × H. 22	10×bag	08



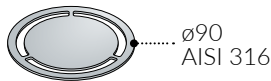
a.	119.612.0	size	packaging	category
	Chrome plated brass grid for floor drains, model Standard - 2562/2565 p. 208-209 - 2565 p. 212 - 2662/2665 p. 200-203	ø90 × H. 7	10×bag	08



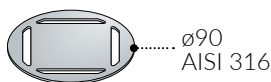
a.	119.616.0	size	packaging	category
	Chrome plated brass grid for floor drains, model Design - 2562/2565 p. 208-209 - 2662/2665 p. 200-201	ø90 × H. 45	10×bag	08



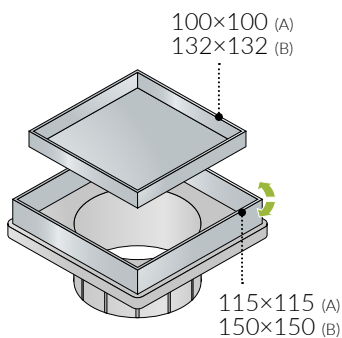
a.	119.617.0	size	packaging	category
	S/steel AISI316 grid for floor drains, model Standard - 2552/2555 p. 210-212 - 2652/2655 p. 206-207 - 2755 p. 196-197 - 9977 p. 213	ø90	10×bag	08



b.	119.618.0	size	packaging	category
	model Design	ø90	10×bag	08

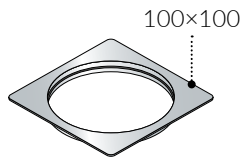
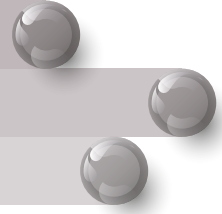


c.	119.619.0	size	packaging	category
	model Square	ø90	10×bag	08

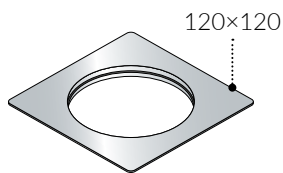


a.	77.408.9	size	packaging	category
	S/steel AISI316 frame and tileable grid 115×115 for floor drains - 2662/2665 p. 204-205 - 2755 p. 196-197 - 9977 p. 214	115×115	10×bag	08

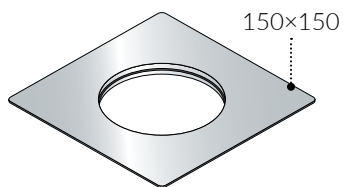
b.	77.428.9	size	packaging	category
	S/steel AISI316 frame and tileable grid 150×150 for floor drains - 2662/2665 p. 204-205 - 2755 p. 196-197 - 9977 p. 214	150×150	10×bag	08



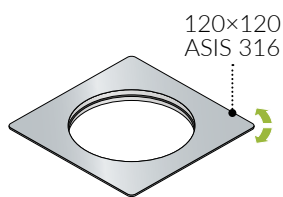
a.	77.410.9	size	packaging	category
	Chrome plated brass frame 100×100 for floor drains	100×100	10×bag	08
	- 62/65 p. 216			
	- 271 p. 217			
	- 2562 p. 209			
	- 2565 p. 208			
	- 2662 p. 201			
	- 2665 p. 200-203			



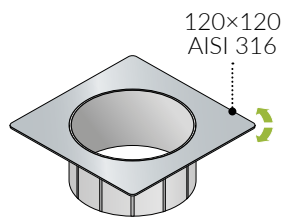
b.	77.400.9	size	packaging	category
	Chrome plated brass frame 120×120	120×120	10×bag	08



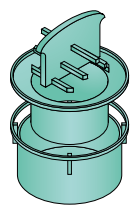
c.	77.420.9	size	packaging	category
	Chrome plated brass frame 150×150	150×150	10×bag	08



a.	77.400.9.S	size	packaging	category
	S/steel AISI316 frame 120×120 for floor drains	120×120	10×bag	08
	- 2552 p. 211			
	- 2555 p. 210 / 212			



b.	77.401.9.S	size	packaging	category
	for	120×120	10×bag	08
	- 2652 p. 207			
	- 2655 p. 206			
	- 2755 p. 197 (grated)			



a.	137.013.1	size	packaging	category
	Trap for floor drains		10×bag	10
	- 2652 p. 207			
	- 2655 p. 206			
	- 2662 p. 201 (standard)			
	- 2665 p. 200 (standard)			
	- 2662 p. 205			
	- 2665 p. 204			
	- 2755 p. 196			
	- 9977 p. 213-215			

new

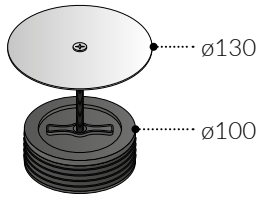


a.	137.013.0	size	packaging	category
	Trap for floor drains		10×bag	10
	- 2555 p. 212			
	- 2565 p. 212 (standard)			
	- 2652 p. 207			
	- 2655 p. 206			
	- 2662 p. 203 / 205			
	- 2665 p. 202 / 204			
	- 2665 p. 197			
	- 9977 p. 213-215			

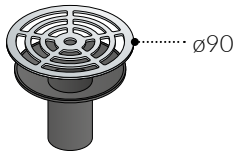


# for floor drains and in-wall traps

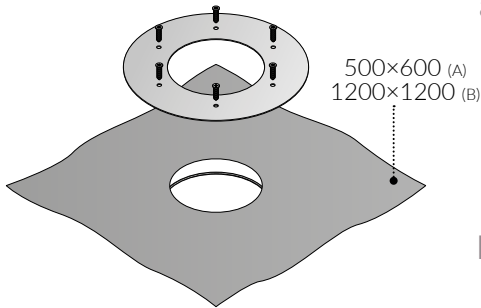
spare parts and accessories for floor drains and in-wall traps



a.	177.601.0	size	packaging	category
	S/steel cover $\phi$ 100 for floor drains	$\phi$ 130	10×bag	08
	- 274 p. 2018-219	<b>new</b>		
	- 275 p. 2018-219			

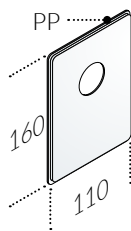


a.	177.300.9	size	packaging	category
	Chrome plated brass grid $\phi$ 90 for floor drains	$\phi$ 90	10×bag	08
	- 271 p. 217	<b>new</b>		

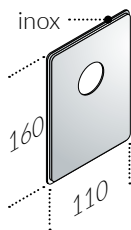


a.	177.501.0	size	packaging	category
	Waterproofing kit with 500×600 PVC sheet for	500×600	1×bag / 5 (I)	08
	- 262 p. 220			
	- 266 p. 220			
	- 276 p. 221			

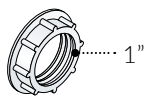
b.	177.521.0	size	packaging	category
	1200×1200 PVC sheet	1200×1200	1×bag / 5 (B)	08



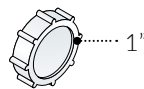
a.	137.075.0	size	packaging	category
	Wall cover plate	110×160	10×bag	10
	- 110×160			
	- white ABS			



b.	137.074.0	size	packaging	category
	stainless steel	110×160	10×bag	08



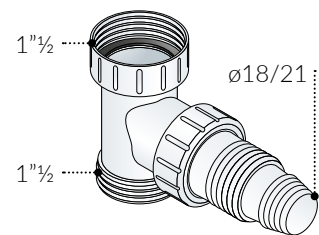
a.	137.078.0	size	packaging	category
	For in-wall traps	1"	10×bag	10
	- counter-nut PP 1"			



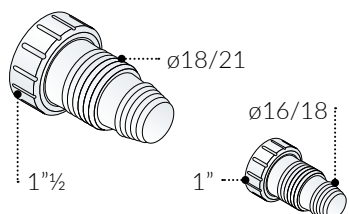
b.	2114.013.4	size	packaging	category
	check-hole cap PP 1"	1"	10×bag	10

# hose connections

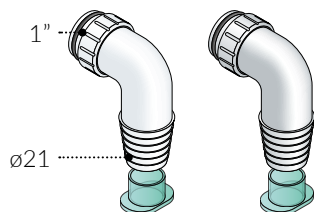
for conditioning-drops, washing machine and dryer



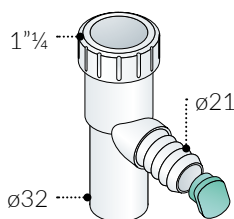
a.	2111.108.6	size	packaging	category
	Hose connection for washing machine	1 1/2 × 1 1/2	10×bag	10
		- pipes joint in white PP		
		- 1 1/2 × 1 1/2		



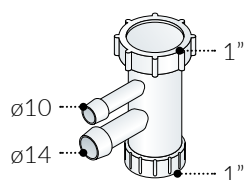
a.	2111.106.6	1 1/2	10×bag	10
		- straight in white PP		
		- 1 1/2		
b.	2111.106.4	1"	10×bag	10
		- 1"		



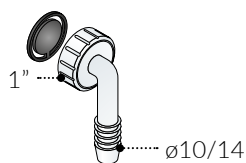
a.	2111.100.4	1"	10×bag	10
		- bent in white PP		
		- 1"		
b.	2111.300.4	1"	10×bag	10
		- bent in c.p. PP		



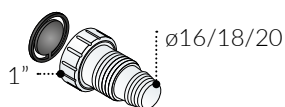
a.	2111.103.5	1 1/4 × ø32	10×bag	10
		- pipes extension in white PP	<b>new</b>	
		- 1 1/4 × ø32		



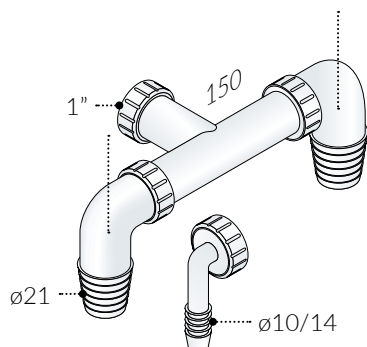
a.	2111.105.4	size	packaging	category
	Hose connection ø10/14 for conditioning-drops and dryer	1" × 1"	10×bag	10
		- pipes joint in white PP	<b>new</b>	
		- 1" × 1"		



a.	2111.107.4	1"	10×bag	10
		- bent in white PP ø10/14	<b>new</b>	
		- 1"		
		- with anti-backflow gasket		



a.	2111.116.4	1"	10×bag	10
		- straight in white PP ø16/18/20	<b>new</b>	
		- 1"		
		- with anti-backflow gasket		

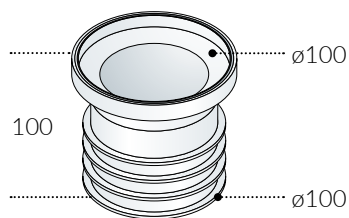


a.	2111.109.4	size	packaging	category
	PP hose connection for washing machine and dryer	1"	10×bag	10
		- no. 2 for washing machine	<b>new</b>	
		- no. 1 for dryer		
		- 1"		



# for wc

## connectors and accessories for wc



### a. 155.620.0

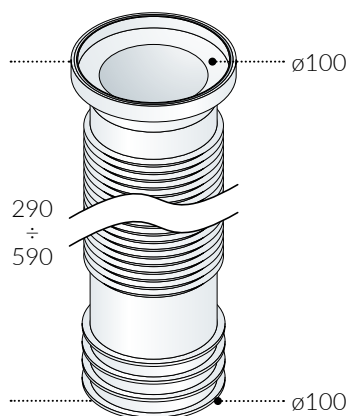
PVC WC connector  
- H. 100 mm

size	packaging	category
------	-----------	----------

Ø100 × 100	1×bag / 36 (P8)	10
------------	-----------------	----



36 pcs.



### a. 155.628.0

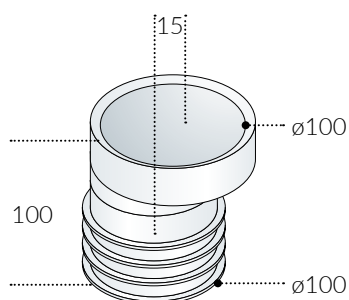
PVC WC connector  
- extensible  
- H. 290÷590 mm

size	packaging	category
------	-----------	----------

Ø100 × 590	1×bag / 30 (L)	10
------------	----------------	----



30 pcs.



### a. 156.620.0

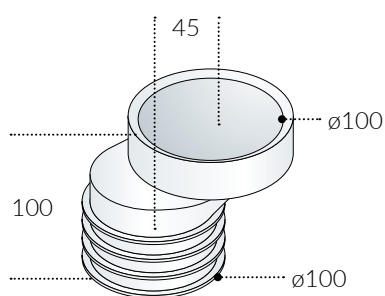
PVC WC connector  
- H. 100 mm  
- eccentric 15 mm

size	packaging	category
------	-----------	----------

Ø100 × 100	1×bag / 36 (P8)	10
------------	-----------------	----



36 pcs.



### a. 156.625.0

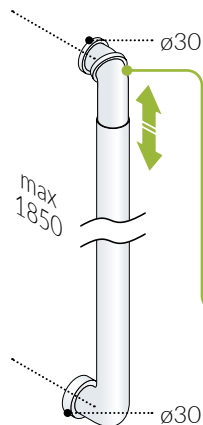
PVC WC connector  
- H. 100 mm  
- eccentric 45 mm

size	packaging	category
------	-----------	----------

Ø100 × 100	1×bag / 36 (Z)	10
------------	----------------	----



36 pcs.



**a. 259.434.5**

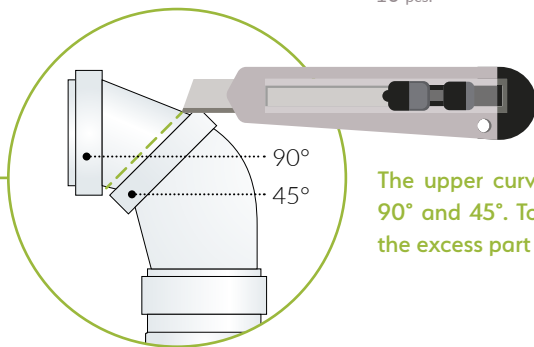
**PVC telescopic cistern connector**

- ambivalent inlet 45/90°
- outlet  $\phi 30$

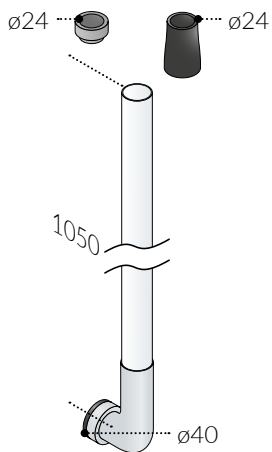
size	packaging	category
$\phi 30 \times \phi 30$	1×bag / 10 (P)	10



10 pcs.



The upper curve is ambivalent with angles both at 90° and 45°. To achieve a 45° curve, simply remove the excess part with a cut



**a. 259.041.6**

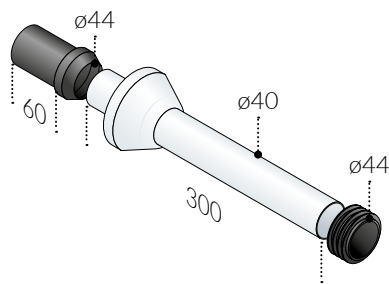
**PP cistern connector**

- inlet 90°
- outlet  $\phi 40$

size	packaging	category
$\phi 24 \times \phi 40$	1×bag / 10 (P)	10



10 pcs.



**a. 2178.307.6**

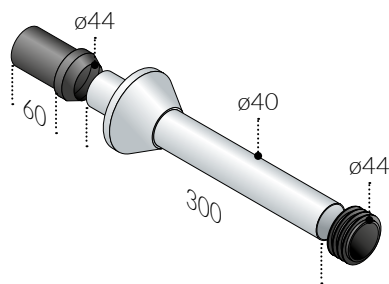
**PP WC connector**

- pipe L. 300 ×  $\phi 40$
- with joint  $\phi 44$
- with PP wall flange  $\phi 80$

size	packaging	category
300 × $\phi 40$	10×bag	10



10 pcs.



**a. 178.307.6**

**Chrome plated brass WC connector**

- pipe L. 300 ×  $\phi 40$
- with joint  $\phi 44$
- with chrome plated brass wall flange  $\phi 75$

size	packaging	category
300 × $\phi 40$	10×bag	10

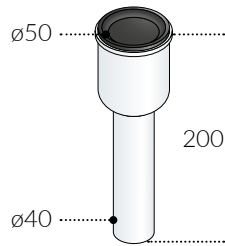


10 pcs.



# for urinals

## traps and convectors for urinals



### a. 2130.130.6

PP convector for urinals  
 - with joint  $\phi 50$   
 - outlet  $\phi 40$

size

$\phi 50 \times \phi 40$

packaging

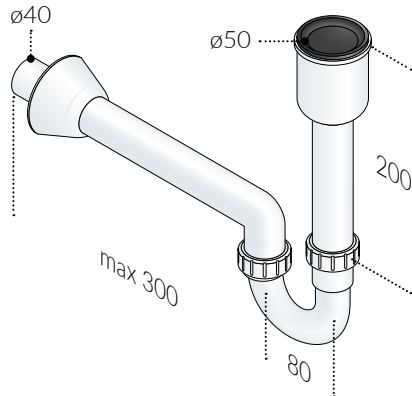
10×bag

category

10



10 pcs.



### b. 2130.430.6

- with joint  $\phi 50$   
 - with PP trap  
 - inlet H. 200  $\times$   $\phi 50$   
 - outlet L. 300  $\times$   $\phi 40$   
 - with PP flange

size

$\phi 50 \times \phi 40$

packaging

1×bag / 10 (W)

category

10



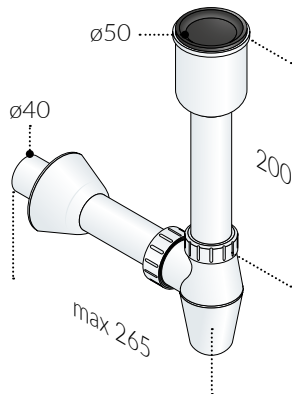
60 mm



65 l/min



10 pcs.



### a. 2130.530.6

- with joint  $\phi 50$   
 - with PP trap  
 - inlet H. 200  $\times$   $\phi 50$   
 - outlet L. 200  $\times$   $\phi 40$   
 - with PP flange

size

$\phi 50 \times \phi 40$

packaging

1×bag / 10 (W)

category

10



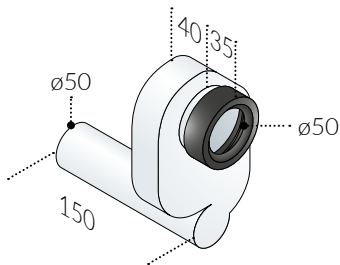
60 mm



61 l/min



10 pcs.



### a. 6130.002.8

PP in-wall trap for urinals  
 - inlet  $\phi 50$   
 - lateral outlet  $\phi 50$

size

$\phi 50 \times \phi 50$

packaging

1×bag / 10 (T)

category

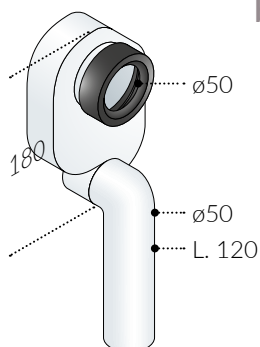
10



60 mm



10 pcs.



### b. 6135.002.8

- inlet  $\phi 50$   
 - vertical outlet  $\phi 50$

size

$\phi 50 \times \phi 50$

packaging

1×bag / 10 (T)

category

10



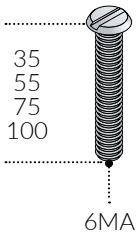
60 mm



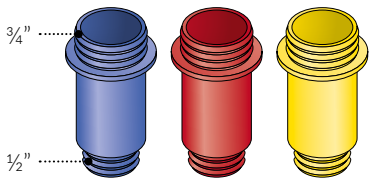
10 pcs.

# other...

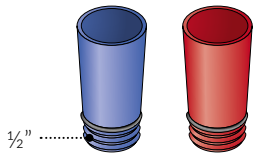
## other accessories and spare parts



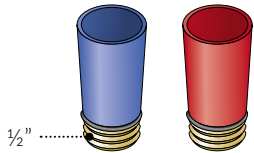
a.	122.300.0	size	packaging	category
	Stainless steel screw 6MA - L. 35	L. 35	10×bag	08
b.	122.550.0	L. 55	10×bag	08
	- L. 55			
c.	122.750.0	L. 75	10×bag	08
	- L. 75			
d.	122.000.0	L. 100	10×bag	08
	- L. 100			



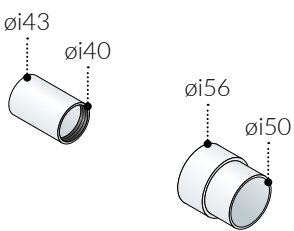
a.	137.350.3	size	packaging	category
	Testing plugs - bivalent in PP - blue	1/2" × 3/4"	10×bag	10
b.	137.355.3	1/2" × 3/4"	10×bag	10
	- red			
c.	137.358.3	1/2" × 3/4"	10×bag	10
	- yellow			



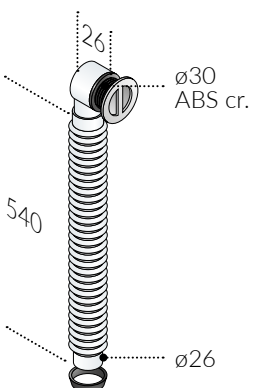
a.	137.050.2	1/2"	10×bag	10
	- monovalent in Nylon - blue			
b.	137.055.2	1/2"	10×bag	10
	- red			



a.	137.250.2	1/2"	10×bag	10
	- monovalent in Nylon - with brass thread - blue			
b.	137.255.2	1/2"	10×bag	10
	- red			



a.	137.058.7	size	packaging	category
	Outlet adaptor in ABS - inlet ø40 - outlet ø43	ø40 × ø43	10×bag	10
		<span style="background-color: #90EE90; border-radius: 50%; padding: 2px;">new</span>		
b.	137.058.9	ø50 × ø56	10×bag	10
	- inlet ø50 - outlet ø56			
		<span style="background-color: #90EE90; border-radius: 50%; padding: 2px;">new</span>		



a.	247.301.0	size	packaging	category
	Accessories specific for Squid art 1650/1652 - overflow set - c.p. ABS overflow grid - for holes ø30 - for washbasin thickness 5÷20 - max tube length L. 540	1"½ × 1"½	10×bag	10
		<span style="background-color: #90EE90; border-radius: 50%; padding: 2px;">new</span>		

\* Specific for Squid art 1650/1652 page 82-85

a.	2111.110.4	1"	10×bag	10
	- hose connection - with conical gasket specific for Squid			
		<span style="background-color: #90EE90; border-radius: 50%; padding: 2px;">new</span>		

\* Specific for Squid art 1650/1652 page 82-85





## Informations

- OMP TEA introduce TECHNOVA -
- protection of personal data -
- warranty conditions -
- seller's general terms -
- legend -
- packing -
- product conformity -
- eco-efficiency in siphon production -
- summary -



*i*



# 1.

## OMP TEA introduce TECHNOVA

*In 2017 Technova, an Italian company manufacturing custom-made items for bathroom furnishings in Pietraluce since 1969, became part of the OMP SpA group. We are pleased to present a new range of OMP TEA products.*

### **The company**

Technova has been manufacturing since 1969 custom-made items for bathroom furnishings in Pietraluce. Our long experience and our distinctive professionalism, our best technologies, as well as the quality of our material Pietraluce, have assured our success over the years. The aesthetical quality of our products, their flexibility in shapes and colours have attracted the interest of the best customers, while their high resistance and durability are guaranteed by thousands of supplies for the most different uses.

All our products have been craft-made in Italy and they have been completely hand finished by our expert technicians. This enables us to supply a high quality product, unique and exclusive, and to guarantee its endurance in the respect of the tradition of the Made in Italy.

### **Our material**

Pietraluce is shiny, water-proof and with anti-scale features.

Pietraluce is resistant to acids, solvents and to all the liquid products used for cleaning; it has anti-bacterial properties, it is non-flammable and self-extinguishing. Scratches or stains can be removed with a normal polishing paste; small repairs of chipping or cuts can be done by using our maintenance kit. Pietraluce be cut and drilled with normal tools in steel.

Pietraluce exists in various versions and colours, even on Customer's sample, and in shine or mat finishing. Beautiful, pleasant to the touch, resistant to the use, flexible in shapes and colours, Pietraluce is the material at the service of design.

Pietraluce remains an exclusive material: more than sixty years of experience and several thousands of supplies in hotels, schools, hospitals, commercial centres or private residences, represent its best guarantee.

### **Range**

- on top, freestanding or wall-mounted washbasins
- bathroom furnitures
- on measure washbasins
- bathtubs
- shower trays
- complementary and on measure wall-covering slab

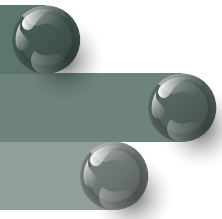


**technova**  
tailor made bathroom

Viale Europa 13  
25036 Palazzolo sull'Oglio (BS) - Italy  
+39 030 7300792  
technova@technova.it



technova.it



We inform you that personal data that we acquire, which will be asked to you or which will be communicated to us by third parties will be processed according to the legislative regulations specified by Personal data protection Code (Regulation EU 2016/679 GDPR)

**Processing aim**

- compulsory fulfilment of fiscal and book-keeping matters as prescribed by law
- customer management
- cases management

**Further aims, subject to specific agreement**

- to provide information about our possible promotional activities
- to provide information about future commercial initiatives and new products, services and offers both from our company and affiliated and/or subsidiary companies and business partners

**Processing method**

- automatic processing by computer
- manual processing on paper archives

Each processing is carried out according to the methods described in art. 15-22 of the Code Regulation EU 2016/679 (GDPR) and with the minimum safety measures provided by the technical rule set

**Communication**

Your data will be hold at the company headquarters and will be communicated only to the relevant subjects, to carry out the services necessary for proper working relationship management. We guarantee that personal data will be protected. The subjects that can ask for personal data are:

- marketing office
- administration office
- our commercial network - agents

Your data may be communicated to people outside the company, more specifically to:

- consultants and professionals even in associated form
- banks and credit institutes
- credit information centres
- companies working in the transport sector
- installers and/or private subjects interested in our products who ask for dealers selling our products

**Diffusion**

Your data will not be diffused in any way

**Owner**

According to the law, the Owner of personal data processing is OMP spa in the person of its legal representative

**Access right to personal data and other rights**

The person concerned can in any moment exercise the rights provided for by art. 7 of the a.m. Code and ask to delete, communicate, update, rectify or integrate his/her personal data. Please remember that if you do not want to receive any further communications or information/promotional material from us, you can inform us as follows:

e-mail [privacy@omptea.com](mailto:privacy@omptea.com)

For more informations, please refer to  
[www.omptea.eu](http://www.omptea.eu)

1)

TEA® hydro-sanitary water discharge systems are designed and manufactured by OMP to convey, when correctly installed, bath, kitchen, house-washers and dishwashers waste water to the building drain piping. At the same time, they prevent any return of gases and insalubrious bad odours from sewers to the house.

2)

OMP warranty ends 12 months after product delivery. OMP guarantees that their products have no design or manufacture faults. Warranty does not cover:

- damage caused by incidents, negligence or product misuse including discharge of noxious, corrosive or toxic acids, though accidental;
- damage caused by atmospheric phenomena - water, fire, lightning, etc.;
- repairing of products resulting damaged or faulty after the operation of unauthorized or unskilled personnel;
- repairing of products damaged during transport or by improper installing, tampering, modifications, connection to inappropriate hydraulic systems;
- product installation.

3)

Since OMP products with other products supplied by third parties make up more complex hydro-sanitary systems, we specify that this warranty is only valid for systems realized in a workmanlike manner, in compliance with current regulations and by specialized personnel who has to issue a conformity declaration as required by Law 46/1990. Obviously, the above mentioned warranty is not valid for the entire systems, but only for OMP products.

4)

Any claim is to be directed to OMP by recorded delivery letter within eight days from fault detection; once both the claim and the faulty piece – together with its components – have been received, OMP and its technicians will carry out an investigation gathering all necessary information to assess the claim legitimacy. Should the claim result legitimate, OMP will do its utmost to solve the situation, should the reverse be true, the buyer will be sent a communication indicating the reasons for claim refusal. The case will then be closed.

5)

The full text reported above represents the sole valid warranty; nobody can modify its contents and terms, be it in verbal or written form.



### 1) Seller's general terms and conditions, modifications

Buyer hereby agrees to be bound by the following Seller's general terms and conditions, the content of which it is fully aware. Any amendment to these conditions shall be valid and in force only if specifically confirmed in writing by the Seller; the validity of any amendment shall be limited to that order for which it has been confirmed.

### 2) Orders' acceptance

The order shall be deemed to be a Buyers' irrevocable proposal, for a period of 60 (sixty) days, and shall finalise the agreements arising out from previous negotiations between parties. The required characteristics that qualify the order are: price and payment conditions; characteristics of the product; quantity; type of packaging; terms of return; means of transport, delivery point; terms of delivery. The validity of the order shall be subjected to the Seller's acceptance, to be deemed occurred by confirmation in writing directly by the Buyer or through its own agent or intermediary or by the issuance of the related invoice or through the direct execution of the order. If the Seller should not be able to deliver the product within the agreed time, or if Seller should ascertain Buyer's insolvency, the former shall be entitled to negotiate the order's a, on a new basis, until an agreement is reached. Any amendment to the order subsequent to the execution of the agreement shall be deemed as a new Buyer's proposal.

### 3) Product

Seller has the right, at any time, to modify the products as it may be necessary in order to accomplished with both Italian and EU law, as well as to implement any other modification which, notwithstanding to the Buyer's technical specifications, does not affect the quality and usability of the product. Seller warrants that the sold products are in compliance with the specified characteristics. Buyer shall bear any risk and liability related to the use of the products, whether they are used individually or in combination with other products. The above warranty is granted exclusively to first-quality products. Moreover, except for death or personal injuries due to Seller's fraudulent or gross negligent behaviour, Seller shall not bear other losses, damages or costs arising out of the supply, use or resale of the products. In any case, Seller's liability shall not exceed the value of the sold products, except for any mandatory rule.

### 4) Packaging

The products shall be packed by the Seller at its own expenses. The standard packaging shall not include products beyond measure or special and particular shipping; in such cases, the expenses thereof shall be charged to the Buyer, unless otherwise agreed in writing.

### 5) Defective products, modality of return

The Buyer shall verify the supplied products within 30 (thirty) days as from the date when it has received them. After such period the Seller will not accept any claim except from those defects that the Buyer proves to be intervening defects. In any case, the complaint shall be notify in writing within 8 (eight) days from the discovery of the defects. For a period of 60 (sixty) days from the date of the claim the contested products shall be kept at the Seller's disposal as well as of its assessors and of its insurance company's assessors that shall have the right to inspect and sample them. In any case, the Buyer shall prove the contested defects. The Seller shall not accept returned products without its prior and express approval. In any case, Seller shall not accept returned product related to supplies that has been supplied after 3 (three) months from the date of their delivery. The returned products shall be delivered to the Seller free delivered to Bione, Brescia-Italy together with their required documents. In case of ascertained defects of the products, Seller shall have the right, in any case, to decide either to substitute them or grant a reduction on the price.

### 6) Delivery and Shipping

The terms of delivery shall be accounted in working days; the respect of them is, in any case, subordinated to the material availability of labour supply and to the potential circumstances beyond the reasonable control of the Seller. The Buyer shall never be entitled to terminate the agreement, reject the supply or claim compensation for damages whatsoever, in the event of delay in the delivery. The title and ownership of the sold products shall pass to the Buyer at the time of the delivery of the products that shall take place at the Seller's premises in Bione, Brescia-Italy. Buyer shall be responsible for the safekeeping of the sold product, pursuant to art. 2051of the Italian Civil Code as from the date of its delivery at the Seller's premises. Whether the Buyer did not give precise instructions regarding the shipping and if it is agreed that the burden of shipping is on the Seller, the latter shall have the right to select the means of shipping that he deems to be more appropriate by delivered ex quay unpaid. The Seller has the right to execute any order by using one or more shipping.

If the products are delivered in partial shipments, each delivery is considered as a single and separate agreement; the failure to execute one or more deliveries shall not entitle the Buyer to refuse the performance of the whole agreement. The products shall be delivered within 45 (forty-five) working days from the Seller's order acceptance. Seller shall be entitled to deliver the products before the contractually agreed delivery date, upon previous notification in writing to the Buyer. Seller shall not be liable for possible delays regarding the agreed date due to intervening circumstances that can not be attributed to the Seller. As a result of that, Buyer is not entitled to terminate the agreement, reject the supply or claim compensation for damages whatsoever, in the event of delay in the delivery. Whether the Buyer neither accepts the delivered products on consignment nor gives instructions about the delivery, Seller, without waiving any other action, may:

- store the products at Buyer's expenses, including insurance costs, until the delivery of the products will take place;
- sell the products at the best workable price and after deducting storage and sale costs charge the Buyer with the over cost or the difference with respect the agreed price in the agreement.

If Buyer does not accept the partial delivery of the ordered products, Seller shall have the right to postpone or cancel the sale, without giving prior notice to the Buyer and without affecting the remaining part of the order.

If the Seller should not be able, due to any reason whatsoever, to perform the entire order, it has the right to execute partial deliveries without being considered in default. Seller shall not be liable for the delay in the delivery or defaults in performing the contract originated directly or indirectly by causes of force majeure such as strikes, fires, explosions, incidents, floods, riots, revolutions, wars, acts accomplished or authorised by the governmental authority, impossibility to obtain materials, fuel, energy, means of transportation, and any other event due to causes beyond the reasonable control of the aggrieved party.

#### **7) Payment conditions**

The payment shall be fulfilled within 30 (thirty) days as from the end of the invoicing month, or within any other date notified in writing to the Buyer. Seller shall have the right to suspend and to cancel the supplies in the event the Buyer does not fulfil, totally or partially, its payment obligation. Moreover, if the Seller does not receive the payment within the due date stated in the invoice, it shall be entitled to issue a draft sight surcharged of expenses. On the delays in the payments, it will be applied by the Seller interests on arrears at the average bank discount rate surcharged of 3/5 plus expenses. Seller shall have the right to modify at any time the list prices pursuant to the trend of the market. In the price shall never be included any amount due to duties, taxes, imposts and any other similar burden that shall be born by the Buyer unless, where agreed, are deemed to be anticipated by the Seller. The supply prices are not binding.

#### **8) Minimum Order**

Seller, besides the feasibility study, shall have the right to execute only those orders which amount is not less than 250 Euro.

#### **9) Notices**

Any notice to be given by either Party shall be in writing and sent to the registered office of the other Party, or to a different address, previously notified.

#### **10) Jurisdiction**

If a dispute arises regarding the validity, construction or performance of the contract, the Parties agree that the Tribunal of Brescia shall have jurisdiction on it with express exclusion of any other different court.



**Water seal**

Indicates the water seal of the trap, the value is expressed in millimeters

**Water volume**

Indicates the water flow rate of the item, the value is expressed in litres/minute

**Water volume of the overflow**

Indicates the water flow rate of overflow, the value is expressed in litres/minute

**European standard conformity**

Indicates products in conformity with European standards

**TÜVLGA approved product**

Indicates products approved by TÜV-LGA

**NF approved product**

Indicates products approved by NF

**CSA approved product**

Indicates products approved by CSA

**Article packed in box**

The item with this symbol is packed in cardboard boxes

**Article packed in bag**

The item with this symbol is packed in a polyethylene (PE) bag

**Eco-efficiency**

Indicates items made using a lower environmental impact production process

**Notes**

Indicates important notes about the product series or information specific to a single article

**Accessories available**

This symbol is used when spare parts are available for the article to which it refers

**New article**

Indicates that the item to which it refers was not present in the previous version of the catalogue



In order to make transport and stockage operations easier, we have adopted packages suitable for 120x80 cm standard pallet.



Each packaging entity (box or bag) is provided with a item-label showing: Article-Code, Size, eventual Drawing and EAN 13 Bar-code.

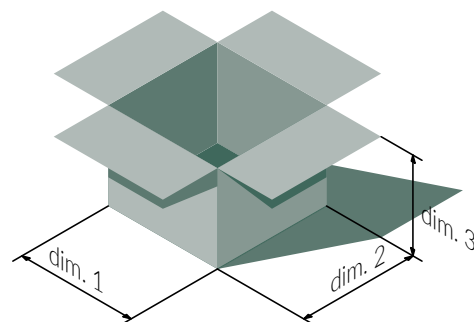
On the external package we stick a marking-label with same information, together with a customer identification's acronym.

These two system, item-label and marking-label, are integrated with an automatic packaging machinery which provides a better and quicker packaging process.

This is the reason why we will round the quantities of your orders. Please see column "Package" on the index of this catalogue for standard package quantity.

### Dimensions of the external package

Cod.	dim. 1	dim. 2	dim. 3 (H)	Volume
<b>A</b>	60	40	32	0,0768
<b>B</b>	60	40	22	0,0528
<b>C</b>	60	40	28	0,0672
<b>I (1)</b>	30	22	23	0,0152
<b>K</b>	72	20	48	0,0691
<b>L</b>	80	41	36	0,1181
<b>O</b>	60	40	18	0,0432
<b>P</b>	41	110	30	0,1353
<b>Q</b>	60	40	35	0,0840
<b>QA</b>	60	40	37	0,0864
<b>S</b>	73	40	24	0,0701
<b>T (3)</b>	39	30	24	0,0281
<b>W</b>	40	30	31	0,0372
<b>Z</b>	59	40	45	0,1062
<b>P8</b>	41	41	36	0,0605
<b>X</b>	Bag			





The reference standard for sanitary appliances' discharge devices is the UNI EN 274 standard, which is connected to a set of standards on gravity drainage systems in buildings UNI EN 12056.

In order to better recognize compliant products and to compare their functional characteristics, we used the symbols listed on legend (page 282).



Regarding the hydraulic seal of the products, standards mandate a minimum height of 50 mm for all types of siphons, regardless of their application area.



Concerning water flow, standards specify test procedures and the quantity of water the device must be capable of discharging. All details about water flow requirements are listed in the table below.

OMP S.p.A. has its own testing facilities with specifically calibrated equipment.

Water flow refers always to 1"¼ × ø32mm washbasin and bidet traps.

Water flow of 1" traps was not indicated.

The certifications reported here can also refer to products of the same family which are not indicated in this catalogue but have equivalent characteristics and functions.

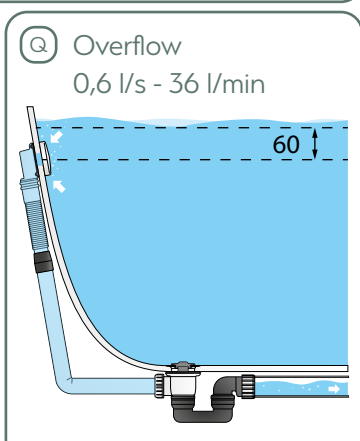
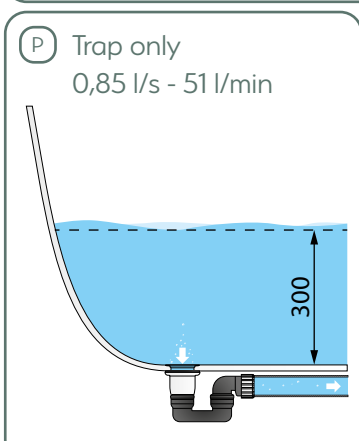
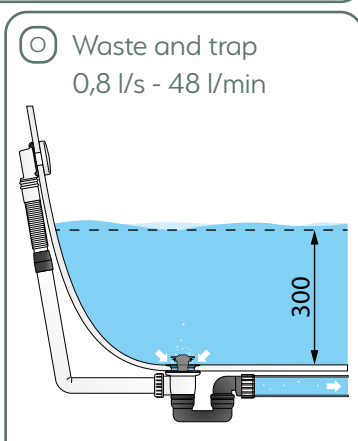
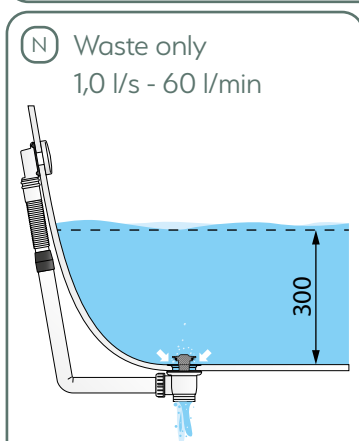
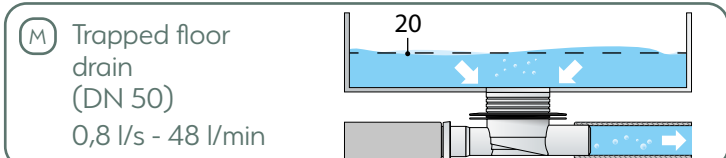
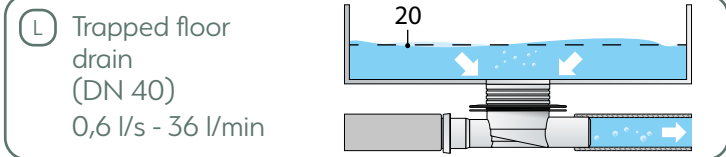
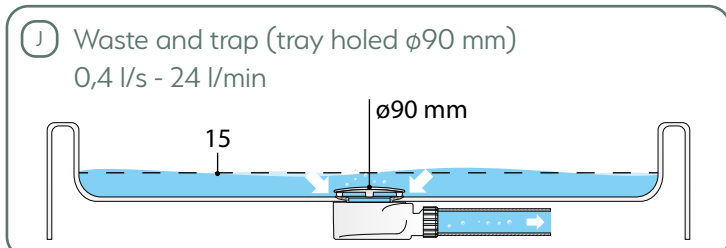
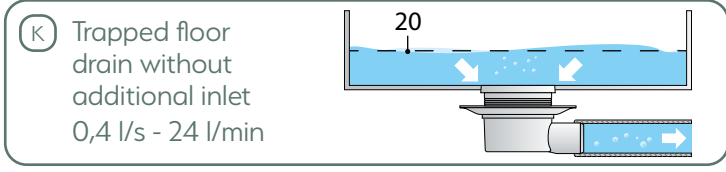
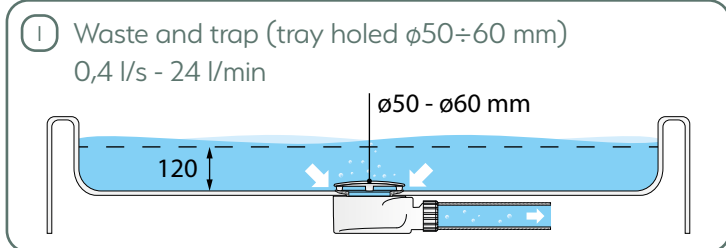
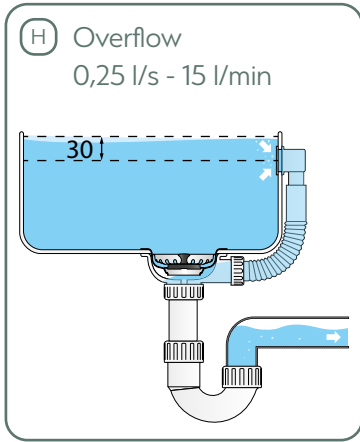
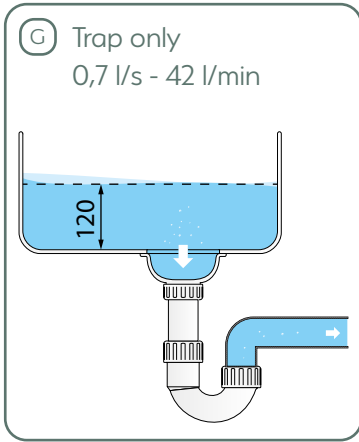
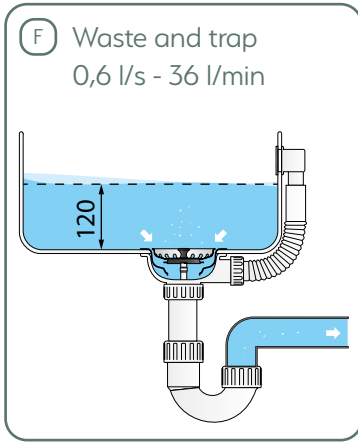
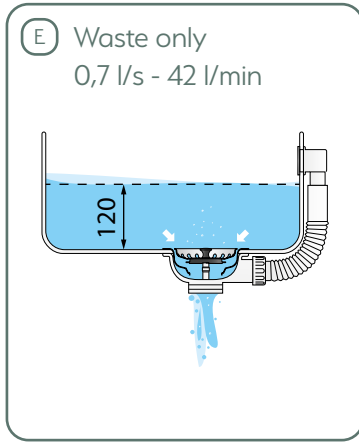
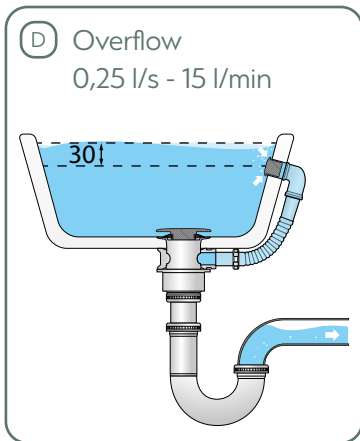
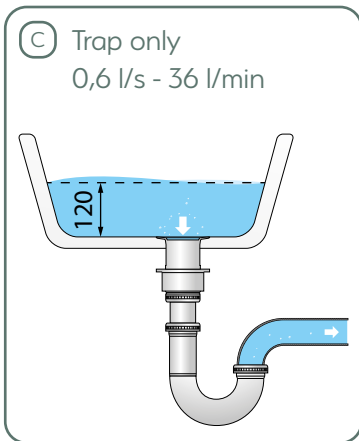
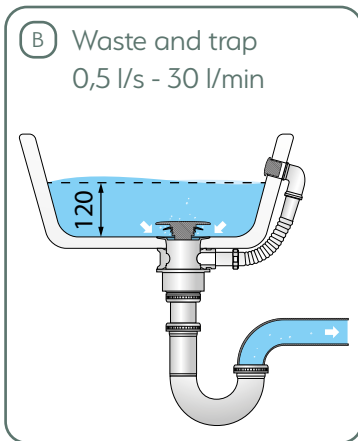
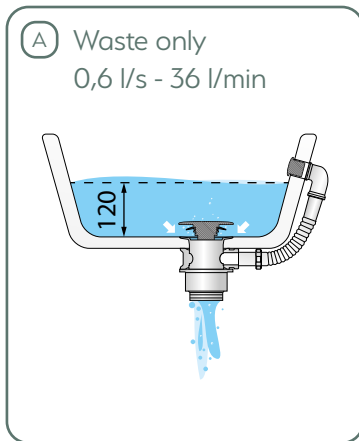
Washbasin and bidet	water column	reference standard	minimum water volum.	minimum water seal
Waste only	120 mm	EN274	A 36 l/min	
Waste and trap	120 mm		B 30 l/min	50 mm
Trap only	120 mm		C 36 l/min	50 mm
Overflow	30 mm		D 15 l/min	

Sink	water column	reference standard	minimum water volum.	minimum water seal
Waste only	120 mm	EN274	E 42 l/min	
Waste and trap	120 mm		F 36 l/min	50 mm
Trap only	120 mm		G 42 l/min	50 mm
Overflow	30 mm		H 15 l/min	

Shower tray	water column	reference standard	minimum water volum.	minimum water seal
Waste and trap (tray holed ø50÷60 mm)	120 mm	EN274	I 24 l/min	50 mm
Waste and trap (tray holed ø90 mm)	15 mm		J 24 l/min	50 mm

Floor drain	water column	reference standard	minimum water volum.	minimum water seal
Trapped floor drain without additional inlet	20 mm	EN1253	K 24 l/min	50 mm
Trapped floor drain (DN 40)	20 mm		L 36 l/min	50 mm
Trapped floor drain (DN 50)	20 mm		M 48 l/min	50 mm

Bathtub	water column	reference standard	minimum water volum.	minimum water seal
Waste only	300 mm	EN274	N 60 l/min	
Waste and trap	300 mm		O 48 l/min	50 mm
Trap only	300 mm		P 51 l/min	50 mm
Overflow	60 mm		Q 36 l/min	





Università Cattolica  
del Sacro cuore

### Research on the eco-efficiency of Halley Evo production compared to traditional die-cast siphons

\* Produced from brass pipe without casting

#### MI-MIP Indicator

Comparison between the "Halley Evo" brass pipe siphon and the die-cast "Europa" siphon

#### Material Intensity Per Service (MIPS)

MIPS is an indicator originating from the Wuppertal Institute in Germany and used in several European countries by public entities and companies. The indicator is innovative and experimental, providing a measure of the direct and indirect impact that a single unit of a product or service has on the environment throughout its lifecycle. Indeed, MIPS clearly and succinctly identifies the materials used or discarded to produce a unit of product or service. The indicator is related to the use of materials in production processes, as required by the Global Reporting Initiative. MIPS is derived from the ratio between the resources used (calculated in kilograms or tonnes) and the quantity of the final product. The higher the MIPS value, the greater the amount of material incorporated into the product from the extraction of raw materials to the final production stage (the so-called "ecological backpack" of the product).

The following types of primary resources are included in the MIPS calculation:

- abiotic material;
- biotic material;
- water;
- land transfers (waste material created during raw material extraction);
- air (used in extraction and production processes).

#### MIP Analysis

The calculation of the MI-MIP indicator was performed for two products: the "Europa" siphon and the "Halley Evo" siphon.

The MI (Material Intensity) index is related to the weight in kilograms of the type of material used in production, while the MIP index (Material Intensity per Product) is related to the weight of the type of material used per single unit of product.

For each of the products, the analysis was conducted

concerning:

- production process (basic separate analyses, production process analysis, subdivision into sub processes, calculation of MI for each phase of the process, and for the total process);
- experimental weight (laboratory weight of the components constituting the finished product and calculation of MI for each component and for the total weight of the product);
- energy consumption (calculation of energy consumption in the production phases of the components constituting the finished products and calculation of total consumption and relative MI-MIP index).

#### Graphical Representations

##### "Halley Evo" Siphon (Kg)

Percentage distribution and relative weight (Kg) among production waste of the Halley Evo Siphon and the weight of the product itself. The graph shows the weight of the waste resulting from the production process of the Halley Evo siphon in relation to the weight of the finished product; waste represents 16% of the product's weight, slightly lower than the Europa siphon waste.

##### "Europa" Siphon (Kg)

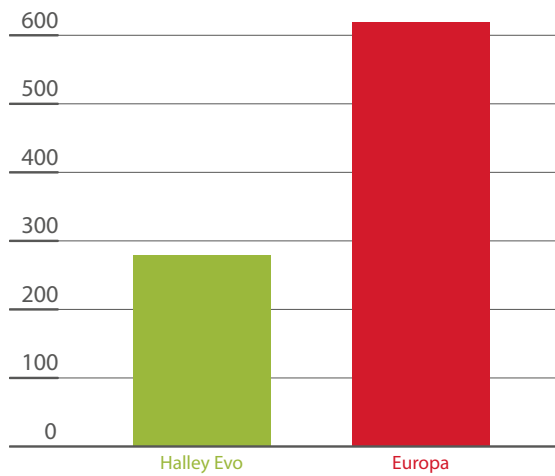
Percentage distribution and relative weight (Kg) among production waste of the Europa Siphon and the weight of the product itself. The graph shows the weight of the waste resulting from the production process of the Europa siphon in relation to the weight of the finished product; waste represents 18% of the product's weight.



#### Process Material Intensity

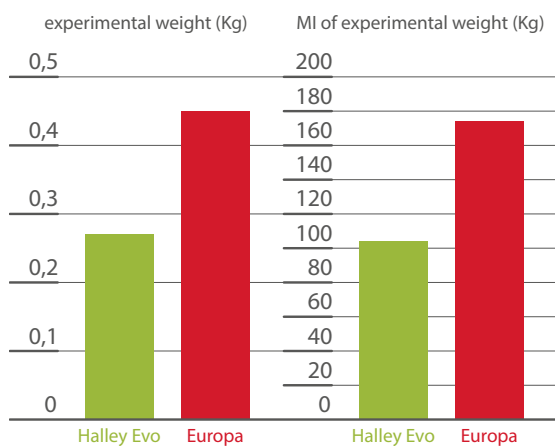
Comparison between the process Material Intensity indices of the "Halley Evo" and "Europa" products. From the graph, it can be deduced that the production process of the Europa siphon involves a much higher

Material Intensity load (expressed in Kg) compared to the production process of the Halley Evo. This comparison should be seen in the context of a production process balance, considering the "added weight" that each material working phase entails. The Europa processing is more articulated than the Halley Evo siphon process, and each additional phase in the process entails a load in terms of Material Intensity. It's essential to consider this graphical representation not as a comparison between products and their materials but exclusively between production processes.



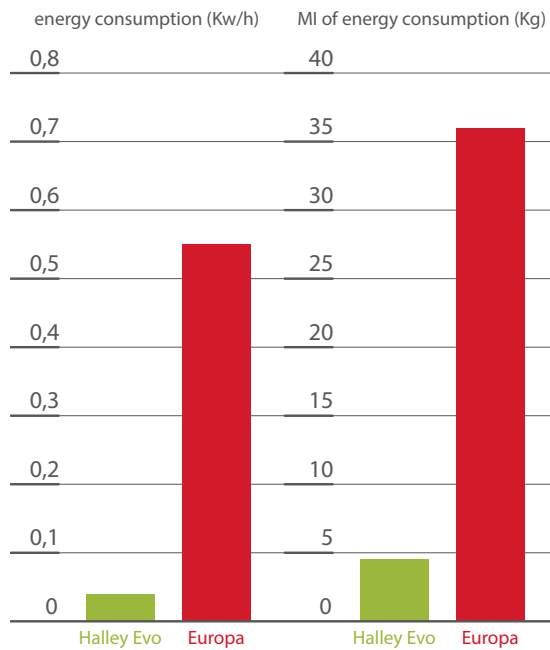
### Experimental Weight and MI

Comparison between experimental weight and Material Intensity of experimental weight between the "Halley Evo" and "Europa" siphons. The graph represents the actual load of Material Intensity related to the finished product; the greater weight of the Europa siphon results in a greater Material Intensity load, whereas the lighter Halley Evo siphon has a lower MI load. The graph shows the comparison between weights and MIs related to finished products concerning the materials used, whose actual weight was verified in the laboratory using an experimental weight procedure.



### Energy Consumption

Indices between the "Halley Evo" and "Europa" siphons. The graph shows the comparison between the energy consumption related to the production of the two siphons and the related Material Intensity levels. The energy expenditure for Europa siphon production is much higher compared to that used for the Halley Evo siphon; consequently, the MI weight related to energy consumption is higher for the Europa siphon.



### Eco-efficiency



The siphon series 26, 28, 510, 700, 710, 711, 713, being made from brass pipe, also adhere to the same characteristics as Halley Evo. Therefore, compared to other siphons in the market, they are produced through a production process with a lower environmental impact.



ARTICLE	PACKAGING	PAGE	CAT.	EAN BAR-CODE	CH.
17.223.5	1×box / 30 (C)	58	01	8019952000350	01
19.124.5.H	1×box / 30 (C)	64	17	8019952134215	01
19.200.5	1×box / 30 (B)	49	01	8019952000541	01
19.200.5.1	1×box / 30 (B)	49	01	8019952000558	01
19.200.6	1×box / 30 (B)	108	01	8019952000572	02
19.200.6.1	1×box / 30 (B)	108	01	8019952000589	02
19.211.5	1×box / 30 (B)	48	01	8019952000015	01
19.212.6	1×box / 30 (B)	108	01	8019952000671	02
19.215.5	1×box / 30 (B)	48	01	8019952000077	01
19.411.5	1×box / 30 (B)	48	01	8019952000787	01
19.422.5	1×box / 30 (C)	48	01	8019952000046	01
19.422.6	1×box / 30 (C)	108	01	8019952000893	02
19.426.5	1×box / 30 (C)	48	01	8019952000107	01
19.452.5	1×box / 30 (C)	48	01	8019952000954	01
19.700.6	1×box / 30 (B)	49	01	8019952000992	01
19.912.6	1×box / 30 (B)	49	01	8019952001012	01
20.421.5	1×box / 30 (C)	51	01	8019952091495	01
20.710.5	1×box / 30 (B)	51	01	8019952001098	01
20.711.5	1×box / 30 (B)	50	01	8019952001104	01
20.714.5	1×box / 30 (B)	51	01	8019952001111	01
20.911.5	1×box / 30 (B)	50	01	8019952001159	01
20.918.5	1×box / 30 (C)	50	01	8019952001173	01
20.941.5	1×box / 30 (B)	51	01	8019952001180	01
22.223.5	1×box / 30 (C)	58	01	8019952001395	01
24.223.5	1×box / 30 (C)	58	01	8019952001791	01
25.335.4.K	1×box / 10 (O)	60	02	8019952116358	01
25.495.4.K	1×box / 10 (O)	60	02	8019952126968	01
25.711.5	1×box / 30 (C)	47	02	8019952001982	01
25.911.5	1×box / 30 (C)	47	02	8019952184289	01
26.423.5	1×box / 30 (C)	47	02	8019952027777	01
26.511.5	1×box / 30 (B)	47	02	8019952002453	01
26.515.5	1×box / 30 (B)	47	02	8019952002477	01
26.711.5	1×box / 30 (B)	46	02	8019952000022	01
26.715.5	1×box / 30 (B)	46	02	8019952000053	01
26.791.5	1×box / 20 (D)	54	02	8019952101439	01
26.911.5	1×box / 30 (C)	46	02	8019952002767	01
26.922.5	1×box / 30 (C)	46	02	8019952002828	01
26.924.5.H	1×box / 15 (W)	64	17	8019952153971	01
26.926.5	1×box / 30 (C)	46	02	8019952002972	01
26.952.5	1×box / 30 (C)	46	02	8019952003023	01
28.711.5	1×box / 30 (B)	52	02	8019952003245	01
28.715.5	1×box / 30 (B)	52	02	8019952003276	01
29.020.5	1×box / 15 (I)	44	04	8019952003443	01
29.110.5	1×box / 15 (I)	44	04	8019952003559	01
29.120.5	1×box / 15 (I)	44	04	8019952003573	01
29.140.5	1×box / 15 (I)	44	04	8019952003597	01
30.120.5	1×box / 15 (I)	45	04	8019952003696	01
30.140.5	1×box / 15 (I)	45	04	8019952003702	01
34.610.5	5×box / 150 (B)	42	04	8019952000084	01

ARTICLE	PACKAGING	PAGE	CAT.	EAN BAR-CODE	CH.
34.615.5	10×box / 50 (T)	98	04	8019952004020	02
34.615.6	10×box / 50 (T)	98	04	8019952004037	02
34.620.5	5×box / 150 (B)	42	04	8019952004068	01
34.625.5	10×box / 50 (T)	98	04	8019952004099	02
34.625.6	10×box / 50 (T)	98	04	8019952004105	02
34.630.5	5×box / 150 (B)	42	04	8019952004129	01
34.635.5	10×box / 50 (T)	98	04	8019952004136	02
34.635.6	10×box / 50 (T)	98	04	8019952004167	02
34.640.5	5×box / 150 (B)	42	04	8019952004181	01
34.645.5	10×box / 50 (T)	98	04	8019952004198	02
34.645.6	10×box / 50 (T)	98	04	8019952004204	02
47.100.0	1×bag / 10 (X)	24	08	8019952004488	DS
50.210.5.0	10×bag	248	08	8019952004655	07
51.250.5.0	10×bag	248	08	8019952004730	07
51.250.6.0	10×bag	248	08	8019952004761	07
52.005.5	10×bag	248	08	8019952004778	07
52.006.5	10×bag	248	08	8019952004785	07
52.006.6	10×bag	248	08	8019952004792	07
52.417.5	10×bag	248	08	8019952173283	07
52.517.5	10×bag	248	08	8019952004815	07
55.165.5	10×box / 50 (T)	129	15	8019952005058	03
55.165.6	10×box / 50 (T)	129	15	8019952005089	03
55.660.5	10×box / 50 (T)	42	04	8019952005171	01
55.665.5	10×box / 50 (T)	129	15	8019952005188	03
55.665.6	10×box / 50 (T)	129	15	8019952005195	03
58.065.5	2×box / 30 (T)	128	15	8019952005263	03
61.065.5	1×box / 15 (T)	128	15	8019952005447	03
61.067.5	1×box / 15 (T)	128	15	8019952005577	03
62.305.5	2×box / 30 (T)	216	15	8019952005614	05
62.405.5	2×box / 30 (T)	216	15	8019952005621	05
62.605.5	1×box / 15 (T)	216	15	8019952178660	05
62.905.5	1×box / 16 (B)	216	15	8019952005706	05
65.200.6	1×box / 15 (T)	216	15	8019952169385	05
65.300.6	1×box / 15 (T)	216	15	8019952005720	05
65.400.6	1×box / 15 (T)	216	15	8019952005768	05
65.900.6	1×box / 16 (B)	216	15	8019952005874	05
77.400.9	10×bag	267	08	8019952006116	07
77.400.9.S	10×bag	267	08	8019952181141	07
77.401.9.S	10×bag	267	08	8019952182780	07
77.408.9	10×bag	266	08	8019952189505	07
77.410.9	10×bag	267	08	8019952170114	07
77.420.9	10×bag	267	08	8019952170121	07
77.428.9	10×bag	266	08	8019952189512	07
78.000.4	10×bag	240	08	8019952006277	07
78.000.5	10×bag	240	08	8019952006284	07
78.000.6	10×bag	240	08	8019952006291	07
78.004.5	10×bag	240	08	8019952006314	07
78.190.4	10×bag	240	08	8019952006321	07
78.190.5	10×bag	240	08	8019952006338	07

ARTICLE	PACKAGING	PAGE	CAT.	EAN BAR-CODE	CH.
78.250.4	10×bag	240	08	8019952006420	07
78.250.5	10×bag	240	08	8019952006437	07
78.250.5.H	10×bag	240	17	8019952155869	07
78.254.5	10×bag	240	08	8019952006499	07
78.300.4	10×bag	240	08	8019952006505	07
78.300.5	10×bag	240	08	8019952006598	07
78.300.5.H	10×bag	240	17	8019952183916	07
78.300.6	10×bag	240	08	8019952006697	07
78.304.5	10×bag	240	08	8019952006710	07
79.200.4	5×bag / 50 (B)	241	08	8019952006949	07
79.200.5	5×bag / 50 (B)	241	08	8019952006956	07
79.204.5	5×bag / 50 (B)	241	08	8019952006963	07
79.320.5	1×bag / 50 (D)	242	08	8019952007007	07
79.330.5	1×bag / 60 (L)	242	08	8019952007021	07
79.360.5	5×bag / 50 (C)	241	08	8019952007120	07
79.364.5	5×bag / 50 (C)	241	08	8019952007229	07
79.410.5	5×bag / 50 (C)	241	08	8019952007359	07
79.490.5	1×bag / 40 (D)	242	08	8019952007403	07
79.490.6	1×bag / 50 (L)	242	08	8019952007410	07
79.560.5	1×bag / 60 (L)	242	08	8019952126548	07
79.700.5	1×bag / 25 (D)	242	08	8019952007434	07
80.200.4	10×bag	244	08	8019952102528	07
80.200.5	10×bag	244	08	8019952094861	07
80.250.4	10×bag	244	08	8019952007625	07
80.250.5	10×bag	244	08	8019952000114	07
80.300.4	10×bag	244	08	8019952007687	07
80.300.5	10×bag	244	08	8019952007694	07
80.304.5	10×bag	244	08	8019952007724	07
81.250.5	10×bag	241	08	8019952007793	07
81.254.5	10×bag	241	08	8019952007809	07
85.250.5	10×bag	241	08	8019952007977	07
85.254.5	10×bag	241	08	8019952007984	07
85.300.5	10×bag	241	08	8019952008004	07
85.304.5	10×bag	241	08	8019952008011	07
86.196.5	10×bag	244	08	8019952008127	07
86.256.5	10×bag	244	08	8019952008240	07
<b>86.302.5.H</b>	<b>10×bag</b>	<b>64</b>	<b>17</b>	<b>8019952189529</b>	<b>01</b>
86.306.5	10×bag	244	08	8019952008295	07
88.405.5.0	5×box / 60 (B)	141	02	8019952008554	04
88.405.6.0	3×box / 36 (B)	141	02	8019952008578	04
88.409.6.0	1×bag / 15 (T)	141	02	8019952008615	04
<b>90.504.5.1</b>	<b>1×box / 30 (B)</b>	<b>56</b>	<b>01</b>	<b>8019952032924</b>	<b>01</b>
92.300.4	10×bag	246	08	8019952008851	07
92.300.5	10×bag	246	08	8019952008875	07
92.304.5	10×bag	246	08	8019952008899	07
97.087.5	10×bag	245	08	8019952008981	07
97.205.5	10×bag	245	08	8019952009025	07
98.820.5	1×box / 30 (C)	141	15	8019952102771	04
98.820.6	1×box / 30 (C)	141	15	8019952009155	04

ARTICLE	PACKAGING	PAGE	CAT.	EAN BAR-CODE	CH.
019.701.5	1xbox / 20 (M)	54	01	8019952200118	01
019.711.5	1xbox / 20 (M)	54	01	8019952200125	01
020.701.5	1xbox / 20 (M)	54	01	8019952009339	01
100.130.4	10xbag	246	08	8019952009360	07
100.130.5	10xbag	246	08	8019952009377	07
100.134.5	10xbag	246	08	8019952009391	07
101.170.4.0	10xbag	247	08	8019952009445	07
101.170.5.0	10xbag	247	08	8019952009469	07
101.170.6.0	10xbag	247	08	8019952009490	07
101.175.5.0	10xbag	247	08	8019952009582	07
101.175.6.0	10xbag	247	08	8019952009605	07
102.160.4	10xbag	247	08	8019952009629	07
102.160.5	10xbag	247	08	8019952009636	07
102.160.6	10xbag	247	08	8019952009643	07
102.164.5	10xbag	247	08	8019952009650	07
102.165.5	10xbag	247	08	8019952009674	07
102.165.6	10xbag	247	08	8019952009681	07
102.480.5	10xbag	247	08	8019952009698	07
109.450.5	6xbag	235	11	8019952009797	06
111.260.4	10xbag	235	08	8019952009865	06
114.000.5	10xbag	255	08	8019952009926	07
114.000.5.0	10xbag	255	08	8019952009933	07
114.000.6	10xbag	255	08	8019952009940	07
114.000.6.0	10xbag	255	08	8019952009957	07
114.001.5	10xbag	255	08	8019952009964	07
114.001.5.0	10xbag	255	08	8019952009971	07
114.001.6	10xbag	255	08	8019952009988	07
114.001.6.0	10xbag	255	08	8019952009995	07
114.590.5.0	10xbag	255	08	8019952010007	07
114.590.6.0	10xbag	255	08	8019952010014	07
115.200.5	10xbag	259	08	8019952174259	07
115.210.5	10xbag	259	08	8019952010021	07
115.220.5	10xbag	259	08	8019952010052	07
115.220.6	10xbag	259	08	8019952010069	07
115.310.5	10xbag	259	08	8019952010151	07
115.320.5	10xbag	259	08	8019952010267	07
115.320.6	10xbag	259	08	8019952010373	07
115.340.5	10xbag	259	08	8019952010625	07
115.350.5	10xbag	259	08	8019952010649	07
115.350.6	10xbag	259	08	8019952010656	07
115.390.5	10xbag	259	08	8019952150727	07
115.400.5	10xbag	259	10	8019952174976	07
118.210.2	100xbag	258	08	8019952010694	07
118.310.2	100xbag	258	08	8019952010717	07
118.310.3	100xbag	258	08	8019952010724	07
118.320.2	100xbag	258	08	8019952010748	07
118.320.3	100xbag	258	08	8019952010755	07
118.330.2	100xbag	258	08	8019952010762	07
118.330.3	100xbag	258	08	8019952010779	07



ARTICLE	PACKAGING	PAGE	CAT.	EAN BAR-CODE	CH.
118.340.2	100×bag	258	08	8019952010786	07
118.360.2	100×bag	258	08	8019952010809	07
118.360.3	100×bag	258	08	8019952010816	07
119.310.0	10×bag	262	08	8019952011103	07
119.410.0	10×bag	262	10	8019952011134	07
119.510.0	10×bag	262	08	8019952011158	07
119.511.0	10×bag	262	08	8019952174266	07
119.512.0	10×bag	262	08	8019952115214	07
119.522.0	10×bag	262	10	8019952100005	07
119.522.0.B	10×bag	262	10	8019952133454	07
119.523.0	10×bag	262	10	8019952189536	07
119.525.0	10×bag	262	10	8019952100012	07
119.527.0	10×bag	262	10	8019952188034	07
119.610.0	10×bag	266	08	8019952011226	07
119.612.0	10×bag	266	08	8019952185873	07
119.616.0	10×bag	266	08	8019952143682	07
119.617.0	10×bag	266	08	8019952180816	07
119.618.0	10×bag	266	08	8019952180823	07
119.619.0	10×bag	266	08	8019952180830	07
119.713.5	5×bag	252	08	8019952095424	07
119.910.0	10×bag	262	10	8019952100029	07
120.111.5	10×bag	253	08	8019952011332	07
120.112.0	10×bag	253	08	8019952011349	07
120.112.6	10×bag	253	08	8019952011356	07
120.113.6	10×bag	263	08	8019952011387	07
120.120.5	10×bag	253	08	8019952011424	07
120.120.7	10×bag	253	08	8019952011448	07
120.170.5	10×bag	253	08	8019952011486	07
120.170.6	10×bag	253	08	8019952011493	07
120.170.7	10×bag	253	08	8019952011509	07
120.360.5	5×bag	252	08	8019952011523	07
120.811.5	10×bag	253	08	8019952095516	07
120.820.5	10×bag	253	08	8019952095479	07
121.020.0	10×bag	253	08	8019952011554	07
121.099.0	10×bag	253	08	8019952011592	07
121.490.0	10×bag	253	08	8019952011653	07
122.000.0	10×bag	273	08	8019952121772	07
122.300.0	10×bag	273	08	8019952011660	07
122.550.0	10×bag	273	08	8019952011707	07
122.750.0	10×bag	273	08	8019952011714	07
123.321.5	10×bag	256	10	8019952011790	07
123.420.0	10×bag	256	10	8019952100036	07
123.421.0	10×bag	256	10	8019952189543	07
123.502.0	10×bag	256	10	8019952189550	07
123.504.0	10×bag	257	10	8019952143712	07
123.505.0	10×bag	257	10	8019952143729	07
123.523.0	10×bag	256	10	8019952100210	07
123.524.0	10×bag	257	10	8019952122076	07
123.525.0	10×bag	257	10	8019952143736	07

ARTICLE	PACKAGING	PAGE	CAT.	EAN BAR-CODE	CH.
123.526.0	10×bag	257	10	8019952143743	07
123.527.0	10×bag	257	10	8019952143750	07
123.621.0	10×bag	256	10	8019952151076	07
124.320.4	10×bag	254	10	8019952121109	07
124.330.5	10×bag	254	10	8019952011912	07
124.330.6	10×bag	254	10	8019952011929	07
124.331.5	10×bag	254	10	8019952116099	07
125.200.4	10×bag	254	10	8019952011950	07
125.200.5	10×bag	254	10	8019952011967	07
125.200.6	10×bag	254	10	8019952011974	07
125.230.5	10×bag	254	10	8019952012001	07
125.230.6	10×bag	254	10	8019952012018	07
125.730.5	10×bag	254	10	8019952168173	07
<b>126.013.5.H</b>	<b>1×box / 15 (B)</b>	<b>65</b>	<b>17</b>	<b>8019952148618</b>	<b>01</b>
<b>128.223.5</b>	<b>1×box / 30 (C)</b>	<b>56</b>	<b>01</b>	<b>8019952012087</b>	<b>01</b>
132.405.6	1×bag / 10 (I)	94	05	8019952177687	02
132.505.6	1×bag / 15 (I)	94	05	8019952142241	02
132.605.6	1×bag / 10 (I)	94	05	8019952142258	02
133.305.6	1×bag / 10 (I)	93	05	8019952154466	02
133.405.6	1×bag / 10 (I)	93	05	8019952097626	02
133.455.6	1×bag / 10 (I)	93	05	8019952154732	02
133.505.6	1×bag / 15 (I)	92	05	8019952012193	02
133.535.6	1×bag / 15 (I)	92	05	8019952122083	02
133.555.6	1×bag / 15 (I)	92	05	8019952113753	02
133.605.6	1×bag / 10 (I)	92	05	8019952012216	02
133.635.6	1×bag / 10 (I)	92	05	8019952148861	02
133.705.6	1×bag / 10 (I)	93	05	8019952091020	02
137.007.0	10×bag	264	10	8019952181097	07
137.009.0	10×bag	264	10	8019952181721	07
137.013.0	10×bag	267	10	8019952182711	07
137.013.1	10×bag	267	10	8019952196930	07
137.014.0	10×bag	264	10	8019952184876	07
137.022.0	10×bag	261	10	8019952189567	07
137.023.0	10×bag	264	10	8019952191645	07
137.027.0	5×bag	252	08	8019952148908	07
137.029.0	10×bag	264	10	8019952197951	07
<b>137.031.5</b>	<b>1×bag / 30 (C)</b>	<b>229</b>	<b>11</b>	<b>8019952114866</b>	<b>06</b>
<b>137.031.6</b>	<b>1×bag / 30 (C)</b>	<b>229</b>	<b>11</b>	<b>8019952114521</b>	<b>06</b>
<b>137.032.5</b>	<b>1×box / 5 (T)</b>	<b>229</b>	<b>11</b>	<b>8019952115108</b>	<b>06</b>
<b>137.033.5</b>	<b>1×box / 5 (T)</b>	<b>229</b>	<b>11</b>	<b>8019952114897</b>	<b>06</b>
137.036.0	5×bag	252	08	8019952130262	07
137.037.0	5×bag	252	08	8019952130279	07
137.039.0	10×bag	263	08	8019952130293	07
137.043.0	10×bag	263	08	8019952100432	07
137.044.0	10×bag	263	08	8019952126579	07
137.047.0	10×bag	263	10	8019952121574	07
137.047.1	10×bag	263	08	8019952121581	07
137.049.0	5×bag	252	08	8019952143767	07
137.050.2	10×bag	273	10	8019952098722	07



ARTICLE	PACKAGING	PAGE	CAT.	EAN BAR-CODE	CH.
137.051.0	10×bag	263	10	8019952179179	07
137.052.0	10×bag	263	08	8019952174297	07
137.053.0	5×bag	252	08	8019952174303	07
137.055.2	10×bag	273	10	8019952098746	07
137.056.0	10×bag	263	10	8019952199412	07
137.058.7	10×bag	273	10	8019952200682	07
137.058.9	10×bag	273	10	8019952200699	07
137.061.0	10×bag	263	08	8019952099606	07
137.063.0	10×bag	263	08	8019952099620	07
137.070.0	10×bag	261	08	8019952099637	07
137.070.9	10×bag	261	08	8019952121741	07
137.071.0	10×bag	261	08	8019952099644	07
137.072.0	10×bag	261	08	8019952100081	07
137.074.0	10×bag	268	08	8019952100227	07
137.075.0	10×bag	268	10	8019952100234	07
137.078.0	10×bag	268	10	8019952100265	07
137.079.0	10×bag	261	08	8019952166711	07
137.081.0	10×bag	254	10	8019952100111	07
137.082.0	10×bag	254	10	8019952100128	07
137.086.0	10×bag	255	08	8019952100142	07
137.087.0	10×bag	255	08	8019952100159	07
137.088.0	10×bag	255	08	8019952100166	07
137.090.0	10×bag	254	10	8019952100173	07
137.097.1	5×bag	252	08	8019952193724	07
137.098.1	5×bag	252	08	8019952193731	07
<b>137.136.0</b>	<b>1×bag / 10 (X)</b>	<b>25</b>	<b>08</b>	<b>8019952169545</b>	<b>DS</b>
137.250.2	10×bag	273	10	8019952103297	07
137.255.2	10×bag	273	10	8019952103303	07
137.350.3	10×bag	273	10	8019952114736	07
137.355.3	10×bag	273	10	8019952114743	07
137.358.3	10×bag	273	10	8019952114750	07
139.436.6	8×bag / 80 (C)	99	08	8019952116297	02
139.456.6	8×bag / 80 (C)	99	08	8019952099675	02
139.466.6	8×bag / 80 (C)	99	08	8019952114842	02
140.416.6	5×box / 50 (Q)	99	15	8019952114217	02
140.436.6	5×box / 50 (Q)	99	15	8019952099224	02
140.456.6	5×box / 40 (A)	99	15	8019952096537	02
140.466.6	5×box / 40 (A)	99	15	8019952098265	02
147.345.5	1×box / 15 (I)	11	12	8019952174518	DS
147.355.5	1×box / 15 (I)	10	12	8019952106748	DS
147.545.5	1×box / 15 (I)	11	12	8019952156187	DS
147.550.5	1×box / 15 (I)	13	12	8019952122830	DS
147.555.5	1×box / 15 (I)	10	12	8019952106762	DS
147.745.5	1×box / 15 (I)	11	12	8019952166872	DS
147.750.5	1×box / 15 (I)	13	12	8019952114613	DS
147.755.5	1×box / 15 (I)	10	12	8019952106786	DS
147.945.5	1×box / 15 (I)	11	12	8019952183343	DS
147.950.5	1×box / 15 (I)	13	12	8019952109718	DS
147.955.5	1×box / 15 (I)	10	12	8019952108575	DS

ARTICLE	PACKAGING	PAGE	CAT.	EAN BAR-CODE	CH.
149.405.6.4	1×box / 30 (T)	109	01	8019952091570	02
149.505.6.4	1×box / 30 (B)	109	01	8019952091594	02
155.620.0	1×bag / 36 (P8)	270	10	8019952013275	07
155.628.0	1×bag / 30 (L)	270	10	8019952110936	07
156.620.0	1×bag / 36 (P8)	270	10	8019952013299	07
156.625.0	1×bag / 36 (Z)	270	10	8019952090863	07
159.250.4	10×box / 80 (B)	238	08	8019952013343	07
159.250.5	10×box / 80 (B)	238	08	8019952013350	07
177.300.9	10×bag	268	08	8019952013657	07
177.501.0	1×bag / 5 (I)	268	08	8019952013718	07
177.521.0	1×bag / 5 (B)	268	08	8019952013732	07
177.601.0	10×bag	268	08	8019952193717	07
178.307.6	10×bag	271	08	8019952115481	07
180.680.5	1×bag / 70 (L)	243	08	8019952013824	07
187.250.5	10×bag	245	08	8019952013862	07
187.259.5	5×box / 50 (C)	238	08	8019952013879	07
187.300.5	10×bag	245	08	8019952013886	07
214.654.6	1×bag / 30 (A)	107	10	8019952188706	02
217.100.6	1×bag / 50 (QA)	69	03	8019952032399	01
217.144.6	1×bag / 50 (QA)	69	03	8019952032405	01
217.200.5	1×bag / 50 (QA)	69	03	8019952014159	01
217.244.5	1×bag / 50 (QA)	69	03	8019952014173	01
217.344.5	1×bag / 50 (QA)	68	03	8019952032511	01
217.400.5	1×bag / 50 (QA)	68	03	8019952014227	01
217.444.5	1×bag / 50 (QA)	68	03	8019952014265	01
218.210.5	1×box / 30 (C)	71	03	8019952102122	01
218.214.5	1×box / 30 (C)	71	03	8019952184296	01
218.244.5	1×box / 30 (C)	71	03	8019952014388	01
218.410.5	1×box / 30 (C)	70	03	8019952014401	01
218.414.5	1×box / 30 (C)	70	03	8019952014425	01
218.444.5	1×box / 30 (C)	70	03	8019952014494	01
218.944.5	1×box / 30 (Q)	70	03	8019952014524	01
222.444.5	1×bag / 30 (A)	74	03	8019952014531	01
222.854.6	1×bag / 30 (A)	74	03	8019952014579	01
226.444.5	1×bag / 30 (A)	74	03	8019952014739	01
226.454.6	1×bag / 30 (Q)	104	03	8019952014753	02
226.708.8	1×bag / 30 (Q)	104	03	8019952098319	02
226.747.8	1×bag / 25 (Q)	104	03	8019952101200	02
226.754.6	1×bag / 30 (Q)	104	03	8019952014869	02
226.854.6	1×bag / 30 (A)	74	03	8019952014913	01
227.708.8	1×bag / 15 (C)	106	03	8019952098371	02
227.754.6	1×bag / 15 (C)	106	03	8019952014968	02
228.254.6	1×bag / 15 (Q)	105	03	8019952014982	02
228.654.6	1×bag / 15 (Q)	105	03	8019952185231	02
232.530.6	1×bag / 30 (T)	95	05	8019952015095	02
232.535.6	10×bag / 60 (T)	97	05	8019952015118	02
232.540.6	1×bag / 30 (T)	95	05	8019952015149	02
232.545.6	10×bag / 60 (T)	97	05	8019952015156	02
232.833.6	1×bag / 30 (W)	95	05	8019952015200	02



ARTICLE	PACKAGING	PAGE	CAT.	EAN BAR-CODE	CH.
232.840.6	1×bag / 30 (W)	95	05	8019952015217	02
234.540.6	1×bag / 30 (T)	96	05	8019952015231	02
234.610.5	10×bag / 100 (T)	43	05	8019952015262	01
234.620.5	10×bag / 100 (T)	43	05	8019952015323	01
234.625.5	10×bag / 60 (T)	97	05	8019952015347	02
234.625.6	10×bag / 60 (T)	97	05	8019952015361	02
234.630.5	10×bag / 100 (T)	43	05	8019952015385	01
234.635.5	10×bag / 60 (T)	97	05	8019952015408	02
234.635.6	10×bag / 60 (T)	97	05	8019952015422	02
234.640.5	10×bag / 100 (T)	43	05	8019952015439	01
234.640.6	1×bag / 30 (B)	96	05	8019952015446	02
234.641.6	1×bag / 30 (B)	96	05	8019952015477	02
245.016.6	1×bag / 30 (W)	128	06	8019952015606	03
245.096.6	1×bag / 30 (W)	128	06	8019952104119	03
247.301.0	10×bag	273	10	8019952192949	07
247.304.0	1×bag / 15 (I)	24	10	8019952015613	DS
247.354.0	1×bag / 15 (I)	24	10	8019952143057	DS
247.604.0	1×bag / 15 (I)	24	10	8019952094328	DS
250.211.5	10×bag	249	10	8019952015644	07
250.211.6	10×bag	249	10	8019952015651	07
250.213.5	10×bag	249	10	8019952015668	07
250.213.6	10×bag	249	10	8019952015682	07
250.218.5	10×bag	249	10	8019952015705	07
250.218.6	10×bag	249	10	8019952015729	07
250.311.6	10×bag	249	10	8019952015750	07
250.313.6	10×bag	249	10	8019952015781	07
250.318.6	10×bag	249	10	8019952015811	07
251.241.5	10×bag	249	10	8019952015842	07
251.241.6	10×bag	249	10	8019952015859	07
251.253.5	10×bag	249	10	8019952015866	07
251.253.6	10×bag	249	10	8019952015880	07
251.341.5	10×bag	249	10	8019952015903	07
251.341.6	10×bag	249	10	8019952015910	07
251.353.6	10×bag	249	10	8019952015941	07
252.005.5	10×bag	248	10	8019952015965	07
252.005.6	10×bag	248	10	8019952015989	07
252.006.5	10×bag	248	10	8019952016009	07
252.006.6	10×bag	248	10	8019952016016	07
252.905.6	10×bag	248	10	8019952174341	07
254.016.6	1×bag / 30 (B)	126	06	8019952016054	03
254.019.8	1×bag / 30 (C)	126	06	8019952016061	03
254.066.6	1×bag / 30 (B)	126	06	8019952016085	03
254.069.8	1×bag / 30 (C)	126	06	8019952016092	03
255.665.6	1×bag / 60 (W)	129	06	8019952016160	03
255.670.5	1×bag / 30 (W)	129	06	8019952121949	03
256.016.6	1×bag / 30 (B)	127	06	8019952016221	03
256.019.8	1×bag / 30 (C)	127	06	8019952016245	03
256.066.6	1×bag / 30 (B)	127	06	8019952016269	03
256.069.8	1×bag / 30 (C)	127	06	8019952016276	03

ARTICLE	PACKAGING	PAGE	CAT.	EAN BAR-CODE	CH.
257.066.6	1×bag / 30 (B)	125	06	8019952016344	03
257.069.8	1×bag / 30 (C)	125	06	8019952016368	03
259.041.6	1×bag / 10 (P)	271	10	8019952148120	07
259.434.5	1×bag / 10 (P)	271	10	8019952189574	07
261.066.6	1×bag / 30 (B)	124	06	8019952016467	03
262.277.6	1×bag / 10 (B)	220	13	8019952016535	05
263.201.8	1×box / 10 (Q)	217	13	8019952126630	05
265.201.8	1×box / 10 (B)	217	13	8019952126685	05
266.226.6	1×box / 4 (B)	220	13	8019952099705	05
266.236.6	1×box	220	13	8019952099729	05
266.246.6	1×box	220	13	8019952099743	05
266.277.8	1×bag / 10 (Q)	220	13	8019952016757	05
267.201.8	1×box / 10 (B)	217	13	8019952143774	05
271.303.6	1×bag / 30 (B)	217	13	8019952016870	05
271.403.6	1×bag / 30 (A)	217	13	8019952016887	05
274.002.8	1×bag / 10 (B)	219	13	8019952016979	05
274.003.8	1×bag / 10 (B)	218	13	8019952016986	05
275.002.8	1×bag / 10 (C)	219	13	8019952151168	05
275.003.8	1×bag / 10 (C)	218	13	8019952017044	05
276.273.8	1×bag / 10 (Q)	221	13	8019952017068	05
276.973.8	1×bag / 10 (Q)	221	13	8019952017082	05
278.155.6	10×bag	263	10	8019952017129	07
278.250.5	10×bag	240	10	8019952174358	07
278.300.6	10×bag	240	10	8019952149721	07
279.490.5	1×bag / 50 (L)	243	10	8019952017167	07
279.509.6	1×bag / 25 (L)	243	10	8019952029795	07
286.206.5	10×bag	244	10	8019952017600	07
286.206.6	10×bag	244	10	8019952017617	07
287.257.5	10×bag	245	10	8019952017662	07
287.257.6	10×bag	245	10	8019952017679	07
289.820.6	1×bag / 30 (C)	140	09	8019952032139	04
290.000.8	1×bag / 30 (B)	142	03	8019952017716	04
290.007.6	1×bag / 30 (B)	142	03	8019952017723	04
290.400.8	1×bag / 30 (B)	142	03	8019952017754	04
290.407.6	1×bag / 30 (B)	142	03	8019952017778	04
292.155.5	5×bag	246	10	8019952183862	07
292.455.5	5×bag	246	10	8019952189208	07
293.000.8	1×bag / 30 (W)	143	03	8019952017815	04
293.007.6	1×bag / 30 (W)	143	03	8019952017839	04
293.400.8	1×bag / 30 (W)	143	03	8019952017853	04
293.407.6	1×bag / 30 (W)	143	03	8019952017877	04
293.900.8	1×bag / 15 (T)	143	03	8019952017914	04
293.907.6	1×bag / 15 (T)	143	03	8019952017921	04
295.160.6	1×box / 10 (Q)	136	09	8019952095332	04
295.360.6	1×box / 10 (Q)	136	09	8019952132174	04
295.620.6	1×box / 10 (Q)	136	09	8019952119229	04
295.660.6	1×box / 10 (Q)	136	09	8019952096148	04
295.670.6	1×box / 10 (Q)	136	09	8019952096179	04
297.116.6	10×bag	245	10	8019952174525	07



ARTICLE	PACKAGING	PAGE	CAT.	EAN BAR-CODE	CH.
297.176.6	10×bag	245	10	8019952121789	07
297.219.5	10×bag	245	10	8019952174372	07
298.820.6	1×bag / 30 (C)	140	09	8019952017983	04
301.161.8	1×box / 10 (Q)	137	09	8019952033396	04
312.601.8	1×box / 10 (C)	140	09	8019952096346	04
317.711.5	1×box / 30 (B)	57	01	8019952151311	01
322.711.5	1×box / 30 (B)	57	01	8019952018874	01
322.924.5.H	1×box / 30 (C)	65	17	8019952134222	01
324.711.5	1×box / 30 (B)	57	01	8019952019161	01
324.924.5.H	1×box / 30 (C)	65	17	8019952134239	01
361.066.6	1×box / 15 (T)	128	15	8019952019857	03
361.069.6	1×box / 15 (T)	128	15	8019952019871	03
385.600.5.S	10×bag	241	16	8019952173771	07
390.223.5	1×box / 30 (C)	56	01	8019952095325	01
399.360.6	1×box / 10 (K)	134	15	8019952019918	04
399.370.6	1×box / 10 (K)	134	15	8019952020013	04
419.129.5	1×box / 30 (C)	53	01	8019952020037	01
419.200.5	1×box / 30 (B)	53	01	8019952020136	01
419.700.6	1×box / 30 (B)	53	01	8019952020181	01
461.096.6	1×bag / 30 (B)	124	06	8019952020235	03
485.309.6	1×bag / 30 (Q)	239	10	8019952169699	07
485.903.5	1×bag / 30 (T)	239	10	8019952020297	07
485.903.6	1×bag / 30 (T)	239	10	8019952020303	07
485.905.5	1×bag / 30 (T)	239	10	8019952032092	07
485.905.6	1×bag / 30 (T)	239	10	8019952032108	07
485.906.5	1×bag / 30 (T)	239	10	8019952020310	07
485.906.6	1×bag / 30 (T)	239	10	8019952020327	07
485.993.6	1×bag / 30 (T)	239	10	8019952091174	07
485.993.8	1×bag / 30 (T)	239	10	8019952090955	07
491.061.8	1×box / 10 (Q)	137	09	8019952151175	04
510.135.5.K	1×box / 10 (O)	32	12	8019952148052	DS
510.165.5.K	1×box / 10 (O)	32	12	8019952150161	DS
517.423.5	1×box / 30 (C)	59	01	8019952020471	01
519.200.5	1×box / 30 (B)	52	01	8019952020587	01
519.200.5.1	1×box / 30 (B)	52	01	8019952020594	01
519.211.5	1×box / 30 (B)	52	01	8019952020624	01
519.215.5	1×box / 30 (B)	52	01	8019952020631	01
522.423.5	1×box / 30 (C)	56	01	8019952020730	01
529.160.5	1×box / 15 (T)	41	04	8019952020884	01
542.710.5	1×box / 15 (I)	15	12	8019952121161	DS
542.742.5	1×box / 15 (I)	15	12	8019952127200	DS
555.060.5	1×box / 15 (I)	40	04	8019952021362	01
555.061.5	1×box / 15 (I)	40	04	8019952021379	01
555.067.5	1×box / 15 (I)	40	04	8019952096612	01
555.160.5	1×box / 15 (I)	40	04	8019952021386	01
555.161.5	1×box / 15 (I)	40	04	8019952021393	01
575.511.8	1×box / 4 (B)	198	14	8019952123004	05
575.611.8	1×box	198	14	8019952123783	05
585.903.5	1×bag / 30 (T)	239	10	8019952143828	07

ARTICLE	PACKAGING	PAGE	CAT.	EAN BAR-CODE	CH.
585.903.6	1×bag / 30 (T)	239	10	8019952143835	07
585.906.5	1×bag / 30 (T)	239	10	8019952143842	07
585.906.6	1×bag / 30 (T)	239	10	8019952143859	07
595.160.6	1×box / 10 (S)	135	15	8019952133768	04
595.170.6	1×box / 10 (S)	135	15	8019952139944	04
595.180.6	1×box / 5 (B)	135	15	8019952174389	04
619.912.6	1×box / 30 (C)	53	01	8019952021713	01
661.066.6	1×bag / 30 (B)	123	06	8019952173351	03
661.096.6	1×bag / 30 (B)	123	06	8019952173368	03
700.135.5.K	1×box / 10 (O)	26	12	8019952097251	DS
700.165.5.K	1×box / 10 (O)	26	12	8019952098258	DS
700.165.6.K	1×box / 10 (O)	26	12	8019952102900	DS
710.135.5.K	1×box / 10 (O)	27	12	8019952103013	DS
710.165.5.K	1×box / 10 (O)	27	12	8019952104966	DS
710.165.6.K	1×box / 10 (O)	27	12	8019952110479	DS
710.934.5.H	1×box / 10 (O)	62	17	8019952134871	01
710.934.6.B	1×box / 10 (O)	66	03	8019952174396	01
710.934.6.H	1×box / 10 (O)	62	17	8019952143002	01
710.939.6.H	1×box / 10 (O)	62	17	8019952143019	01
711.215.5.K	1×box / 8 (B)	33	12	8019952110646	DS
713.135.5.K	1×box / 10 (O)	30	12	8019952113555	DS
810.135.5.K	1×box / 10 (O)	28	12	8019952113395	DS
810.165.5.K	1×box / 10 (O)	28	12	8019952120553	DS
810.165.6.K	1×box / 10 (O)	28	12	8019952122397	DS
811.215.5.K	1×box / 8 (B)	33	12	8019952120713	DS
830.180.5	1×box / 15 (I)	45	04	8019952130705	01
891.160.6.K	1×box / 8 (A)	139	15	8019952121208	04
911.611.5	1×box / 8 (B)	49	01	8019952200880	01
912.324.5	1×box / 30 (C)	61	16	8019952189581	01
912.334.5	1×box / 10 (O)	61	16	8019952189598	01
913.324.5.K	1×box / 10 (T)	31	12	8019952167800	DS
913.334.5.K	1×box / 10 (O)	31	12	8019952174532	DS
913.334.5.X	1×box / 10 (O)	31	12	8019952195728	DS
913.334.5.XD	1×box / 10 (O)	31	12	8019952196169	DS
913.334.5.Y2	1×box / 10 (O)	31	12	8019952196176	DS
914.939.6.B	1×box / 10 (O)	66	03	8019952198224	01
914.939.6.H	1×box / 10 (O)	63	17	8019952197487	01
915.324.5	1×box / 30 (C)	61	16	8019952181172	01
915.334.5	1×box / 10 (O)	61	16	8019952183183	01
916.215.5.K	1×box / 8 (B)	33	12	8019952143262	DS
916.324.5.K	1×box / 10 (T)	29	12	8019952128733	DS
916.334.5.K	1×box / 10 (O)	29	12	8019952131283	DS
916.334.5.X	1×box / 10 (O)	29	12	8019952183190	DS
916.334.5.XD	1×box / 10 (O)	29	12	8019952183206	DS
916.334.5.Y2	1×box / 10 (O)	29	12	8019952171807	DS
916.924.5.B	1×box / 30 (C)	66	03	8019952196138	01
916.924.5.H	1×box / 30 (C)	63	17	8019952196145	01
916.934.6.B	1×box / 10 (O)	66	03	8019952199429	01
916.934.6.H	1×box / 10 (O)	63	17	8019952199436	01



ARTICLE	PACKAGING	PAGE	CAT.	EAN BAR-CODE	CH.
922.423.5	1×box / 30 (C)	59	01	8019952113265	01
924.423.5	1×box / 30 (C)	59	01	8019952113272	01
942.203.8	1×box	187	14	8019952191980	05
942.206.8	1×box	186	14	8019952186474	05
942.303.8	1×box	187	14	8019952190372	05
942.306.8	1×box	186	14	8019952186535	05
942.503.8	1×box	187	14	8019952198408	05
942.506.8	1×box	186	14	8019952186573	05
942.703.8	1×box	187	14	8019952193403	05
942.706.8	1×box	186	14	8019952186627	05
942.803.8	1×box	187	14	8019952199795	05
942.806.8	1×box	186	14	8019952186689	05
942.903.8	1×box	187	14	8019952192000	05
942.906.8	1×box	186	14	8019952186733	05
943.203.8	1×box	184	14	8019952189420	05
943.204.8.C	1×box	181	14	8019952170183	05
943.206.8	1×box	180	14	8019952169934	05
943.273.8	1×box	185	14	8019952191126	05
943.274.8.C	1×box	183	14	8019952200132	05
943.276.8	1×box	182	14	8019952191133	05
943.303.8	1×box	184	14	8019952189628	05
943.304.8.C	1×box	181	14	8019952170244	05
943.306.8	1×box	180	14	8019952169705	05
943.373.8	1×box	185	14	8019952191362	05
943.374.8.C	1×box	183	14	8019952200149	05
943.376.8	1×box	182	14	8019952191140	05
943.503.8	1×box	184	14	8019952189437	05
943.504.8.C	1×box	181	14	8019952170305	05
943.506.8	1×box	180	14	8019952169910	05
943.573.8	1×box	185	14	8019952200156	05
943.574.8.C	1×box	183	14	8019952200163	05
943.576.8	1×box	182	14	8019952200170	05
943.703.8	1×box	184	14	8019952189444	05
943.704.8.C	1×box	181	14	8019952170367	05
943.706.8	1×box	180	14	8019952169682	05
943.773.8	1×box	185	14	8019952191379	05
943.774.8.C	1×box	183	14	8019952200187	05
943.776.8	1×box	182	14	8019952191157	05
943.803.8	1×box	184	14	8019952189451	05
943.804.8.C	1×box	181	14	8019952170428	05
943.806.8	1×box	180	14	8019952169941	05
943.873.8	1×box	185	14	8019952191164	05
943.874.8.C	1×box	183	14	8019952200194	05
943.876.8	1×box	182	14	8019952191171	05
943.903.8	1×box	184	14	8019952189468	05
943.904.8.C	1×box	181	14	8019952170480	05
943.906.8	1×box	180	14	8019952169712	05
943.973.8	1×box	185	14	8019952191188	05
943.974.8.C	1×box	183	14	8019952200200	05

ARTICLE	PACKAGING	PAGE	CAT.	EAN BAR-CODE	CH.
943.976.8	1×box	182	14	8019952191195	05
952.101.8	1×box	160	14	8019952171678	05
952.105.8	1×box	168	14	8019952196787	05
952.201.8	1×box	160	14	8019952180045	05
952.205.8	1×box	168	14	8019952200217	05
952.301.8	1×box	160	14	8019952180052	05
952.305.8	1×box	168	14	8019952199764	05
952.701.8	1×box	160	14	8019952186771	05
952.705.8	1×box	168	14	8019952200897	05
952.801.8	1×box	160	14	8019952186788	05
952.805.8	1×box	168	14	8019952199771	05
952.901.8	1×box	160	14	8019952180069	05
952.905.8	1×box	168	14	8019952200224	05
953.101.8	1×box	154	14	8019952149820	05
953.105.8	1×box	166	14	8019952192109	05
953.171.8	1×box	156	14	8019952200231	05
953.175.8	1×box	167	14	8019952200248	05
953.201.8	1×box	154	14	8019952149998	05
953.201.8.05	1×box	158	14	8019952185897	05
953.205.8	1×box	166	14	8019952197463	05
953.271.8	1×box	156	14	8019952200255	05
953.275.8	1×box	167	14	8019952200262	05
953.301.8	1×box	154	14	8019952151946	05
953.301.8.05	1×box	158	14	8019952193748	05
953.305.8	1×box	166	14	8019952194059	05
953.371.8	1×box	156	14	8019952200279	05
953.375.8	1×box	167	14	8019952200286	05
953.701.8	1×box	154	14	8019952183381	05
953.705.8	1×box	166	14	8019952199443	05
953.771.8	1×box	156	14	8019952200293	05
953.775.8	1×box	167	14	8019952200903	05
953.801.8	1×box	154	14	8019952183404	05
953.801.8.05	1×box	158	14	8019952185903	05
953.805.8	1×box	166	14	8019952193519	05
953.871.8	1×box	156	14	8019952200309	05
953.875.8	1×box	167	14	8019952200316	05
953.901.8	1×box	154	14	8019952150673	05
953.901.8.05	1×box	158	14	8019952176345	05
953.905.8	1×box	166	14	8019952176208	05
953.971.8	1×box	156	14	8019952200323	05
953.975.8	1×box	167	14	8019952200330	05
963.106.8	1×box	178	14	8019952144931	05
963.106.8.C	1×box	178	14	8019952168074	05
971.101.8	1×box / 4 (B)	179	14	8019952134338	05
971.104.8.C	1×box / 4 (B)	179	14	8019952168968	05
972.101.8	1×box	147	14	8019952130934	05
973.101.8	1×box	146	14	8019952132204	05
973.201.8	1×box	146	14	8019952131061	05
973.401.8	1×box	146	14	8019952131085	05



ARTICLE	PACKAGING	PAGE	CAT.	EAN BAR-CODE	CH.
973.801.8	1×box	146	14	8019952142838	05
973.901.8	1×box	146	14	8019952139074	05
975.101.8	1×box	192	14	8019952185354	05
975.102.8	1×box	192	14	8019952188768	05
979.141.0	1×bag	265	08	8019952133553	07
979.142.0	1×bag	265	08	8019952133287	07
979.300.0	1×bag	265	08	8019952134444	07
979.500.0	1×bag	265	08	8019952134451	07
979.810.0	1×bag	265	08	8019952133485	07
979.811.0	1×bag	265	08	8019952138985	07
979.821.0	1×bag	264	08	8019952196459	07
979.850.0	1×bag	265	08	8019952133508	07
979.907.0	10×bag	265	14	8019952176871	07
982.401.8	1×box	151	14	8019952186450	05
983.201.8	1×box	148	14	8019952183435	05
983.271.8	1×box	150	14	8019952191201	05
983.401.8	1×box	148	14	8019952183442	05
983.471.8	1×box	150	10	8019952191232	05
987.000.0	1×bag	148	08	8019952183459	05
987.001.0	1×bag	148	10	8019952191676	05
987.004.0	1×bag	148	10	8019952186009	05
987.200.0	1×bag	264	03	8019952183466	07
0217.211.6	1×bag / 30 (L)	73	12	8019952190204	01
0916.415.5.K	1×box / 20 (M)	34	03	8019952200347	DS
1650.500.5	1×box / 16 (Q)	83	03	8019952189635	01
1650.503.5	1×box / 16 (Q)	83	03	8019952193175	01
1650.506.5	1×box / 16 (Q)	83	03	8019952189642	01
1652.500.5	1×box / 10 (A)	89	03	8019952189659	01
1657.500.5	1×box / 16 (Q)	85	03	8019952193755	01
1657.506.5	1×box / 16 (Q)	85	03	8019952193762	01
1750.501.6	1×box / 10 (A)	100	03	8019952199450	02
1752.501.6	1×box / 10 (Q)	101	03	8019952199467	02
1910.100.5	1×bag / 30 (Q)	80	03	8019952153735	01
1910.111.5	1×bag / 30 (C)	80	03	8019952153322	01
1910.130.5	1×bag / 30 (C)	80	03	8019952153742	01
1950.500.5	1×bag / 30 (Q)	81	03	8019952153452	01
1950.508.5	1×bag / 15 (B)	81	03	8019952153841	01
1950.511.5	1×bag / 15 (B)	81	03	8019952153858	01
1950.600.5	1×bag / 30 (Q)	81	03	8019952153469	01
1950.608.5	1×bag / 15 (B)	81	03	8019952153865	01
1950.611.5	1×bag / 15 (B)	81	03	8019952153872	01
2011.454.6	1×box / 10 (A)	102	03	8019952022437	02
2012.454.6	1×box / 10 (Q)	103	10	8019952022468	02
2070.100.0	1×box	238	10	8019952122212	07
2070.100.6	1×box	238	10	8019952122229	07
2070.100.9	1×box	238	10	8019952122236	07
2100.322.5	10×bag	246	10	8019952022482	07
2100.322.6	10×bag	246	10	8019952022499	07
2102.480.5	10×bag	247	10	8019952022505	07

ARTICLE	PACKAGING	PAGE	CAT.	EAN BAR-CODE	CH.
2102.480.6	10×bag	247	10	8019952022512	07
2102.485.6	10×bag	247	10	8019952022529	07
2103.302.6	10×bag	246	10	8019952116747	07
2103.322.6	10×bag	246	10	8019952022543	07
2104.322.5	10×bag	246	10	8019952022550	07
2104.322.6	10×bag	246	11	8019952022567	07
<b>2107.112.8</b>	<b>1×bag / 30 (Q)</b>	<b>226</b>	<b>11</b>	<b>8019952109664</b>	<b>06</b>
<b>2107.192.8</b>	<b>1×bag / 30 (Q)</b>	<b>226</b>	<b>11</b>	<b>8019952111476</b>	<b>06</b>
<b>2108.180.5</b>	<b>1×bag / 30 (T)</b>	<b>235</b>	<b>11</b>	<b>8019952022666</b>	<b>06</b>
<b>2108.600.4</b>	<b>1×bag / 10 (T)</b>	<b>235</b>	<b>11</b>	<b>8019952142265</b>	<b>06</b>
<b>2108.700.6</b>	<b>1×box / 10 (A)</b>	<b>234</b>	<b>11</b>	<b>8019952200705</b>	<b>06</b>
<b>2110.110.6</b>	<b>1×bag / 30 (W)</b>	<b>235</b>	<b>10</b>	<b>8019952022680</b>	<b>06</b>
2111.100.4	10×bag	269	10	8019952022741	07
2111.103.5	10×bag	269	10	8019952193779	07
2111.105.4	10×bag	269	10	8019952193786	07
2111.106.4	10×bag	269	10	8019952122243	07
2111.106.6	10×bag	269	10	8019952033365	07
2111.107.4	10×bag	269	10	8019952193793	07
2111.108.6	10×bag	269	10	8019952022765	07
2111.109.4	10×bag	269	10	8019952193809	07
2111.110.4	10×bag	273	10	8019952192956	07
2111.116.4	10×bag	269	10	8019952193816	07
<b>2111.260.4</b>	<b>10×bag</b>	<b>235</b>	<b>10</b>	<b>8019952122250</b>	<b>06</b>
2111.300.4	10×bag	269	11	8019952143880	07
<b>2112.110.8</b>	<b>1×bag / 30 (Q)</b>	<b>224</b>	<b>11</b>	<b>8019952022789</b>	<b>06</b>
<b>2112.150.8</b>	<b>1×bag / 30 (Q)</b>	<b>224</b>	<b>11</b>	<b>8019952022802</b>	<b>06</b>
<b>2112.350.8</b>	<b>1×bag / 30 (Q)</b>	<b>224</b>	<b>11</b>	<b>8019952114460</b>	<b>06</b>
<b>2113.110.6</b>	<b>1×bag / 30 (W)</b>	<b>235</b>	<b>10</b>	<b>8019952101583</b>	<b>06</b>
2114.002.4	10×bag	255	10	8019952022857	07
2114.002.5	10×bag	255	10	8019952022864	07
2114.002.6	10×bag	255	10	8019952022871	07
2114.013.4	10×bag	268	10	8019952028972	07
2114.504.6	10×bag	255	10	8019952100272	07
2115.110.5	10×bag	258	10	8019952022932	07
2115.110.6	10×bag	258	10	8019952022949	07
2115.110.8	10×bag	258	10	8019952115757	07
2115.114.2	100×bag	258	10	8019952022956	07
2115.114.3	100×bag	258	10	8019952022963	07
2115.119.1	100×bag	258	03	8019952023014	07
<b>2122.054.6</b>	<b>1×bag / 15 (Q)</b>	<b>88</b>	<b>03</b>	<b>8019952180779</b>	<b>01</b>
<b>2126.054.5</b>	<b>1×bag / 15 (B)</b>	<b>87</b>	<b>03</b>	<b>8019952030258</b>	<b>01</b>
<b>2126.054.6</b>	<b>1×bag / 15 (B)</b>	<b>87</b>	<b>03</b>	<b>8019952023052</b>	<b>01</b>
<b>2126.554.6</b>	<b>1×bag / 15 (B)</b>	<b>87</b>	<b>10</b>	<b>8019952124940</b>	<b>01</b>
2130.130.6	10×bag	272	10	8019952023090	07
2130.430.6	1×bag / 10 (W)	272	10	8019952023120	07
2130.530.6	1×bag / 10 (W)	272	06	8019952091143	07
<b>2142.400.6</b>	<b>1×bag / 60 (B)</b>	<b>129</b>	<b>06</b>	<b>8019952023144</b>	<b>03</b>
<b>2152.451.6</b>	<b>1×bag / 30 (Q)</b>	<b>129</b>	<b>10</b>	<b>8019952092218</b>	<b>03</b>
2159.050.5	10×bag	238	10	8019952176352	07



ARTICLE	PACKAGING	PAGE	CAT.	EAN BAR-CODE	CH.
2159.050.6	10×bag	238	10	8019952176369	07
2159.250.5	10×bag	238	10	8019952115764	07
2159.250.6	10×bag	238	10	8019952115771	07
2178.307.6	10×bag	271	10	8019952115788	07
2188.250.8	10×bag	263	11	8019952023410	07
2207.512.6	1×bag / 30 (Q)	227	03	8019952193823	06
2322.241.6	1×box / 16 (Q)	79	03	8019952183237	01
2322.244.5	1×bag / 30 (C)	76	03	8019952193830	01
2322.244.6	1×bag / 30 (C)	76	11	8019952023434	01
2350.073.4	1×bag / 10	231	11	8019952183473	06
2355.105.4	1×bag	232	11	8019952183480	06
2355.999.0	1×bag	232	11	8019952183497	06
2370.162.4	1×bag / 30 (W)	230	11	8019952139449	06
2370.185.4	1×bag / 30 (W)	230	11	8019952139432	06
2370.273.4	1×bag / 15 (W)	230	11	8019952122045	06
2380.110.3	1×bag / 24	231	11	8019952174549	06
2380.115.3	1×bag / 16	231	11	8019952183503	06
2380.120.3	1×bag / 24	231	11	8019952174556	06
2389.330.2	1×bag	232	11	8019952174563	06
2389.330.3	1×bag	232	11	8019952174570	06
2389.335.2	1×bag	232	11	8019952183510	06
2389.335.3	1×bag	232	11	8019952183527	06
2389.400.3	30×box	232	11	8019952174587	06
2389.400.4	30×box	232	11	8019952174594	06
2389.450.1	10×bag	233	11	8019952183534	06
2389.450.2	10×bag	233	11	8019952183541	06
2389.450.3	10×bag	233	11	8019952183558	06
2389.450.4	10×bag	233	11	8019952183565	06
2389.450.5	10×bag	233	11	8019952183572	06
2389.500.2	25×box	233	11	8019952174600	06
2389.500.3	25×box	233	11	8019952174617	06
2389.600.2	25×box	233	11	8019952174624	06
2389.600.3	25×box	233	11	8019952174631	06
2389.700.3	48×box	232	03	8019952174648	06
2390.241.6	1×box / 16 (Q)	79	03	8019952183244	01
2390.244.5	1×bag / 30 (C)	77	03	8019952193847	01
2390.244.6	1×bag / 30 (C)	77	03	8019952115184	01
2390.344.6	1×bag / 30 (C)	77	10	8019952143903	01
2414.234.6	1×bag / 30 (B)	107	10	8019952034638	02
2414.334.6	1×bag / 30 (B)	107	13	8019952102269	02
2465.602.8	1×box / 4 (B)	193	03	8019952193854	05
2517.400.5	1×bag / 50 (QA)	72	03	8019952023458	01
2517.444.5	1×bag / 50 (QA)	72	05	8019952023465	01
2529.000.5	1×bag / 60 (Q)	41	13	8019952023472	01
2552.401.8	1×box / 16 (B)	211	13	8019952179186	05
2552.451.8	1×box / 16 (B)	211	13	8019952179711	05
2552.461.8	1×box / 16 (B)	211	13	8019952179728	05
2555.401.8	1×box / 16 (B)	210	13	8019952179193	05
2555.406.8	1×box / 16 (B)	212	13	8019952183619	05

ARTICLE	PACKAGING	PAGE	CAT.	EAN BAR-CODE	CH.
2555.451.8	1×box / 16 (B)	210	13	8019952179735	05
2555.456.8	1×box / 16 (B)	212	13	8019952183626	05
2555.461.8	1×box / 16 (B)	210	13	8019952179742	05
2555.466.8	1×box / 12 (B)	212	13	8019952183633	05
2562.201.8	1×box / 16 (B)	209	13	8019952168975	05
2562.251.8	1×box / 16 (B)	209	13	8019952168982	05
2562.401.8	1×box / 16 (B)	209	13	8019952150314	05
2562.451.8	1×box / 16 (B)	209	13	8019952168999	05
2562.901.8	1×box / 12 (B)	209	13	8019952169002	05
2562.951.8	1×box / 12 (B)	209	13	8019952169019	05
2565.201.8	1×box / 16 (B)	208	13	8019952169422	05
2565.206.8	1×box / 16 (B)	212	13	8019952183671	05
2565.251.8	1×box / 16 (B)	208	13	8019952169187	05
2565.401.8	1×box / 16 (B)	208	13	8019952154015	05
2565.406.8	1×box / 16 (B)	212	13	8019952183688	05
2565.451.8	1×box / 16 (B)	208	13	8019952168821	05
2565.901.8	1×box / 12 (B)	208	13	8019952168128	05
2565.906.8	1×box / 12 (B)	212	13	8019952183695	05
2565.951.8	1×box / 12 (B)	208	13	8019952170558	05
2652.491.8	1×box / 10 (C)	207	13	8019952179209	05
2652.495.8	1×box / 10 (C)	207	13	8019952179759	05
2652.496.8	1×box / 10 (C)	207	13	8019952179766	05
2652.591.8	1×box / 10 (C)	207	13	8019952183701	05
2652.595.8	1×box / 10 (C)	207	13	8019952183718	05
2652.596.8	1×box / 10 (C)	207	13	8019952183725	05
2655.491.8	1×box / 10 (C)	206	13	8019952179216	05
2655.495.8	1×box / 10 (C)	206	13	8019952179773	05
2655.496.8	1×box / 10 (C)	206	13	8019952179780	05
2655.591.8	1×box / 10 (C)	206	13	8019952183732	05
2655.595.8	1×box / 10 (C)	206	13	8019952183749	05
2655.596.8	1×box / 10 (C)	206	13	8019952183756	05
2662.291.8	1×box / 10 (C)	201	13	8019952172989	05
2662.295.8	1×box / 10 (C)	201	13	8019952174655	05
2662.391.8	1×box / 10 (C)	203	13	8019952183763	05
2662.491.8	1×box / 10 (C)	201	13	8019952172651	05
2662.492.8	1×box / 10 (C)	205	13	8019952174433	05
2662.495.8	1×box / 10 (C)	201	13	8019952174662	05
2662.591.8	1×box / 10 (C)	203	13	8019952183770	05
2662.592.8	1×box / 10 (C)	205	13	8019952186023	05
2662.691.8	1×box / 10 (C)	201	13	8019952173009	05
2662.692.8	1×box / 10 (C)	205	13	8019952189666	05
2662.695.8	1×box / 10 (C)	201	13	8019952174679	05
2662.791.8	1×box / 10 (C)	203	13	8019952183787	05
2662.792.8	1×box / 10 (C)	205	13	8019952189673	05
2665.291.8	1×box / 10 (C)	200	13	8019952167688	05
2665.295.8	1×box / 10 (C)	200	13	8019952169040	05
2665.391.8	1×box / 10 (C)	202	13	8019952183794	05
2665.491.8	1×box / 10 (C)	200	13	8019952167695	05
2665.492.8	1×box / 10 (C)	204	13	8019952174440	05



ARTICLE	PACKAGING	PAGE	CAT.	EAN BAR-CODE	CH.
2665.495.8	1×box / 10 (C)	200	13	8019952169064	05
2665.591.8	1×box / 10 (C)	202	13	8019952183800	05
2665.592.8	1×box / 10 (C)	204	13	8019952186030	05
2665.608.8	1×box / 10 (C)	194	13	8019952199474	05
2665.691.8	1×box / 10 (C)	200	13	8019952167701	05
2665.692.8	1×box / 10 (C)	204	13	8019952189680	05
2665.695.8	1×box / 10 (C)	200	13	8019952169095	05
2665.708.8	1×box / 10 (C)	195	13	8019952200354	05
2665.791.8	1×box / 10 (C)	202	13	8019952183817	05
2665.792.8	1×box / 10 (C)	204	13	8019952189697	05
2755.401.8	1×box / 10 (C)	196	13	8019952183824	05
2755.402.8	1×box / 10 (C)	196	13	8019952189703	05
2755.405.8	1×box / 10 (C)	196	13	8019952183831	05
2755.406.8	1×box / 10 (C)	196	13	8019952183848	05
2755.501.8	1×box / 10 (C)	197	13	8019952200712	05
2755.502.8	1×box / 10 (C)	197	13	8019952200729	05
2755.505.8	1×box / 10 (C)	197	13	8019952200736	05
2755.506.8	1×box / 10 (C)	197	13	8019952200743	05
2755.602.8	1×box / 10 (C)	196	13	8019952189802	05
2755.702.8	1×box / 10 (C)	197	09	8019952200750	05
2868.660.6	1×box / 15 (Q)	133	09	8019952109862	04
2868.960.6	1×box / 15 (Q)	133	09	8019952110530	04
2870.963.8	1×box / 10 (C)	133	03	8019952111483	04
2917.264.5	1×bag / 30 (Q)	73	05	8019952093772	01
2930.300.5	1×box / 8 (B)	25	07	8019952176994	DS
3022.151.3	10×box / 100 (C)	260	07	8019952023649	07
3022.201.3	10×box / 100 (C)	260	07	8019952023748	07
3022.251.3	10×box / 100 (A)	260	07	8019952023816	07
3022.301.3	5×box / 50 (A)	260	07	8019952023885	07
3024.201.3	10×box / 100 (C)	260	07	8019952024080	07
3024.251.3	10×box / 100 (A)	260	07	8019952024158	07
3024.301.3	10×box / 100 (A)	260	07	8019952024219	07
3026.121.3	10×box / 100 (C)	260	07	8019952024325	07
3026.201.3	10×box / 100 (C)	260	07	8019952024455	07
3026.251.3	10×box / 100 (Q)	260	07	8019952024523	07
3053.131.2	8×box / 120 (T)	251	07	8019952024653	07
3054.131.2	6×box / 90 (T)	251	07	8019952024677	07
3070.000.0	10×bag	261	07	8019952143927	07
3070.008.0	10×bag	261	07	8019952143934	07
3070.200.0	10×bag	261	07	8019952024691	07
3070.208.0	10×bag	261	07	8019952143941	07
3070.300.0	10×bag	261	07	8019952024714	07
3070.500.0	10×bag	261	07	8019952143958	07
3070.508.0	10×bag	261	07	8019952143965	07
3070.600.0	10×bag	261	07	8019952024738	07
3070.608.0	10×bag	261	03	8019952143972	07
3215.744.6	1×bag / 30 (C)	107	03	8019952146201	02
3215.804.6	1×bag / 60 (A)	107	03	8019952099545	02
3216.744.6	1×bag / 15 (Q)	107	03	8019952184364	02

ARTICLE	PACKAGING	PAGE	CAT.	EAN BAR-CODE	CH.
3290.000.8	1×bag / 30 (B)	142	03	8019952134307	04
3290.007.6	1×bag / 30 (B)	142	07	8019952134314	04
3320.131.2	1×box / 60 (I)	251	07	8019952025681	07
3320.132.2	1×box / 60 (I)	251	07	8019952025773	07
3320.142.2	1×box / 60 (I)	251	04	8019952025841	07
3530.310.5	1×box / 15 (I)	38	04	8019952143422	01
3530.320.5	1×box / 15 (I)	38	04	8019952150208	01
3530.360.5	1×box / 15 (I)	38	04	8019952141244	01
3530.370.5	1×box / 15 (I)	38	05	8019952150215	01
4230.360.5	1×box / 15 (I)	39	05	8019952168661	01
4830.360.5	1×box / 15 (I)	39	14	8019952166902	01
4943.203.8	1×box	189	14	8019952194202	05
4943.206.8	1×box	188	14	8019952194790	05
4943.273.8	1×box	191	14	8019952200767	05
4943.276.8	1×box	190	14	8019952199948	05
4943.303.8	1×box	189	14	8019952195261	05
4943.306.8	1×box	188	14	8019952200774	05
4943.373.8	1×box	191	14	8019952200781	05
4943.376.8	1×box	190	14	8019952200798	05
4943.503.8	1×box	189	14	8019952194219	05
4943.506.8	1×box	188	14	8019952194226	05
4943.573.8	1×box	191	14	8019952200804	05
4943.576.8	1×box	190	14	8019952200811	05
4943.703.8	1×box	189	14	8019952194233	05
4943.706.8	1×box	188	14	8019952193571	05
4943.773.8	1×box	191	14	8019952196589	05
4943.776.8	1×box	190	14	8019952200828	05
4943.803.8	1×box	189	14	8019952194769	05
4943.806.8	1×box	188	14	8019952194851	05
4943.873.8	1×box	191	14	8019952196596	05
4943.876.8	1×box	190	14	8019952200835	05
4943.903.8	1×box	189	14	8019952194844	05
4943.906.8	1×box	188	14	8019952193601	05
4943.973.8	1×box	191	14	8019952196602	05
4943.976.8	1×box	190	10	8019952200842	05
5130.130.6	1×bag / 40 (Q)	234	10	8019952031743	06
5130.430.6	1×bag / 20 (Q)	234	06	8019952031750	06
5258.076.6	1×bag / 20 (B)	112	06	8019952110158	03
5261.076.6	1×box / 16 (B)	112	06	8019952026473	03
5261.078.8	1×box / 12 (B)	112	06	8019952032764	03
5261.086.6	1×box / 16 (B)	112	06	8019952030418	03
5641.076.6	1×box / 16 (B)	113	06	8019952187068	03
5661.006.6	1×box / 16 (B)	113	06	8019952188096	03
5661.076.6	1×box / 16 (B)	113	06	8019952183855	03
5661.106.6	1×box / 16 (B)	113	14	8019952199481	03
5953.201.8.05	1×box	162	14	8019952186047	05
5953.205.8	1×box	170	14	8019952194868	05
5953.271.8.05	1×box	164	14	8019952191263	05
5953.275.8	1×box	171	14	8019952200361	05



ARTICLE	PACKAGING	PAGE	CAT.	EAN BAR-CODE	CH.
5953.301.8.05	1×box	162	14	8019952189819	05
5953.305.8	1×box	170	14	8019952193861	05
5953.371.8.05	1×box	164	14	8019952200378	05
5953.375.8	1×box	171	14	8019952200385	05
5953.401.8.05	1×box	162	14	8019952189826	05
5953.471.8.05	1×box	164	14	8019952200392	05
5953.801.8.05	1×box	162	14	8019952186054	05
5953.805.8	1×box	170	14	8019952191874	05
5953.871.8.05	1×box	164	14	8019952191270	05
5953.875.8	1×box	171	14	8019952200408	05
5953.901.8.05	1×box	162	14	8019952186061	05
5953.905.8	1×box	170	14	8019952194875	05
5953.971.8.05	1×box	164	14	8019952191287	05
5953.975.8	1×box	171	14	8019952200415	05
5962.203.8	1×box	176	14	8019952200422	05
5962.204.8	1×box	176	14	8019952200439	05
5962.403.8	1×box	176	14	8019952200910	05
5962.404.8	1×box	176	14	8019952200927	05
5962.503.8	1×box	176	14	8019952200446	05
5962.504.8	1×box	176	14	8019952200453	05
5962.803.8	1×box	176	14	8019952200460	05
5962.804.8	1×box	176	14	8019952200477	05
5963.203.8	1×box	172	14	8019952193878	05
5963.204.8	1×box	172	14	8019952193885	05
5963.273.8	1×box	174	14	8019952200484	05
5963.274.8	1×box	174	14	8019952200491	05
5963.403.8	1×box	172	14	8019952193892	05
5963.404.8	1×box	172	14	8019952193908	05
5963.473.8	1×box	174	14	8019952200507	05
5963.474.8	1×box	174	14	8019952200934	05
5963.503.8	1×box	172	14	8019952193915	05
5963.504.8	1×box	172	14	8019952193922	05
5963.573.8	1×box	174	14	8019952200514	05
5963.574.8	1×box	174	14	8019952200521	05
5963.803.8	1×box	172	14	8019952193939	05
5963.804.8	1×box	172	14	8019952193946	05
5963.873.8	1×box	174	14	8019952200538	05
5963.874.8	1×box	174	11	8019952200545	05
6060.000.0	1×bag / 10 (T)	228	11	8019952114965	06
6060.216.0	1×box / 10 (C)	228	11	8019952114989	06
6100.215.6	1×box / 10 (C)	228	11	8019952110349	06
6107.201.4	1×box / 10 (C)	225	11	8019952112145	06
6107.501.4	1×box / 10 (C)	225	10	8019952110325	06
6130.002.8	1×bag / 10 (T)	272	10	8019952121963	07
6135.002.8	1×bag / 10 (T)	272	06	8019952121970	07
6241.078.8	1×box / 12 (B)	115	11	8019952139371	03
6253.002.6	1×bag / 10 (T)	228	06	8019952110363	06
6261.076.6	1×box / 16 (B)	114	06	8019952132785	03
6261.078.8	1×box / 12 (B)	114	06	8019952132792	03

ARTICLE	PACKAGING	PAGE	CAT.	EAN BAR-CODE	CH.
6261.086.6	1×box / 16 (B)	115	03	8019952140377	03
6322.544.5	1×bag / 30 (C)	67	03	8019952143330	01
6324.544.5	1×bag / 30 (C)	67	06	8019952143347	01
6461.066.6	1×box / 16 (B)	122	06	8019952141046	03
6461.068.8	1×box / 12 (B)	122	06	8019952143217	03
6461.096.6	1×box / 16 (B)	122	06	8019952139678	03
6461.098.8	1×box / 12 (B)	122	06	8019952142852	03
6561.006.6	1×box / 16 (B)	117	06	8019952139685	03
6561.086.6	1×box / 16 (B)	116	06	8019952139692	03
6561.106.6	1×box / 16 (B)	117	06	8019952168401	03
6561.286.6	1×box / 16 (B)	116	06	8019952139715	03
6561.386.6	1×box / 16 (B)	116	06	8019952139722	03
6621.001.6	1×box / 16 (B)	119	06	8019952193977	03
6621.071.6	1×box / 16 (B)	119	06	8019952193984	03
6621.076.6	1×box / 16 (B)	118	06	8019952174495	03
6621.078.8	1×box / 12 (B)	118	06	8019952177663	03
6621.101.6	1×box / 16 (B)	119	06	8019952193991	03
6721.001.6	1×box / 16 (B)	121	06	8019952198170	03
6721.071.6	1×box / 16 (B)	120	06	8019952197814	03
6721.101.6	1×box / 16 (B)	121	14	8019952199498	03
6963.101.8	1×box	152	14	8019952152462	05
6963.105.8	1×box	169	14	8019952191881	05
6963.201.8	1×box	152	14	8019952152479	05
6963.205.8	1×box	169	14	8019952175089	05
6963.301.8	1×box	152	14	8019952148939	05
6963.305.8	1×box	169	14	8019952175096	05
6963.401.8	1×box	152	14	8019952152486	05
6963.901.8	1×box	152	14	8019952148946	05
6963.905.8	1×box	169	12	8019952175102	05
7114.423.5.K	1×box / 8 (B)	35	12	8019952129761	DS
7114.423.5.X	1×box / 8 (B)	35	12	8019952194608	DS
7114.423.5.XD	1×box / 8 (B)	35	12	8019952196183	DS
7114.423.5.Y2	1×box / 8 (B)	35	07	8019952194615	DS
7320.131.2.K	2×box / 20 (T)	250	07	8019952110547	07
7320.431.2.K	2×box / 20 (T)	250	07	8019952142975	07
7320.441.2.K	2×box / 20 (T)	250	07	8019952143989	07
7340.431.2.K	2×box / 20 (T)	250	12	8019952142982	07
7532.310.5	1×box / 15 (I)	17	12	8019952189710	DS
7532.310.5 US	1×box / 15 (I)	20	12	8019952199894	DS
7532.310.5.T	1×box / 15 (I)	17	12	8019952192161	DS
7532.310.5.T US	1×box / 15 (I)	20	12	8019952200552	DS
7532.310.5.T1	1×box / 15 (I)	17	12	8019952192963	DS
7532.310.5.T1 US	1×box / 15 (I)	20	12	8019952200569	DS
7532.310.5.T2	1×box / 15 (I)	17	12	8019952192857	DS
7532.310.5.T2 US	1×box / 15 (I)	20	12	8019952200576	DS
7532.310.5.X	1×box / 15 (I)	17	12	8019952189727	DS
7532.310.5.X US	1×box / 15 (I)	20	12	8019952200583	DS
7532.310.5.XD	1×box / 15 (I)	17	12	8019952189734	DS
7532.310.5.Y2	1×box / 15 (I)	17	12	8019952193083	DS



ARTICLE	PACKAGING	PAGE	CAT.	EAN BAR-CODE	CH.
7532.316.5	1×box / 16 (B)	23	12	8019952192901	DS
7533.370.5	1×box / 15 (T)	6	12	8019952143231	DS
7533.375.5	1×box / 15 (T)	6	12	8019952177434	DS
7542.710.5	1×box / 15 (I)	19	12	8019952191720	DS
7542.710.5 US	1×box / 15 (I)	21	12	8019952200590	DS
7542.710.5.T	1×box / 15 (I)	19	12	8019952194004	DS
7542.710.5.T US	1×box / 15 (I)	21	12	8019952200606	DS
7542.710.5.T1	1×box / 15 (I)	19	12	8019952194011	DS
7542.710.5.T1 US	1×box / 15 (I)	21	12	8019952200613	DS
7542.710.5.T2	1×box / 15 (I)	19	12	8019952194028	DS
7542.710.5.T2 US	1×box / 15 (I)	21	12	8019952200620	DS
7542.710.5.X	1×box / 15 (I)	19	12	8019952194035	DS
7542.710.5.X US	1×box / 15 (I)	21	12	8019952200637	DS
7542.710.5.XD	1×box / 15 (I)	19	12	8019952194042	DS
7542.710.5.Y2	1×box / 15 (I)	19	12	8019952199504	DS
7542.716.5	1×box / 16 (B)	23	08	8019952192369	DS
8120.378.5	1×bag / 10 (X)	39	08	8019952125565	01
8120.378.5.T	1×bag / 10 (X)	39	08	8019952126753	01
8120.378.5.T1	1×bag / 10 (X)	39	08	8019952196732	01
8120.378.5.T2	1×bag / 10 (X)	39	03	8019952199511	01
8222.854.6	1×bag / 30 (A)	75	03	8019952113722	01
8226.854.6	1×bag / 30 (A)	75	09	8019952113739	01
8295.660.6	1×box / 10 (Q)	138	09	8019952136691	04
8301.161.8	1×box / 10 (Q)	138	15	8019952146225	04
8334.060.6	1×box / 15 (T)	132	09	8019952132495	04
8491.061.8	1×box / 10 (Q)	138	12	8019952150819	04
8530.300.5	1×box / 15 (I)	7	12	8019952110134	DS
8530.310.5	1×box / 15 (I)	7	12	8019952104614	DS
8530.311.5	1×box / 15 (I)	12	12	8019952136752	DS
8530.320.5	1×box / 15 (I)	7	12	8019952111018	DS
8530.321.5	1×box / 15 (I)	12	12	8019952116501	DS
8530.360.5	1×box / 15 (I)	7	12	8019952104157	DS
8530.360.5 US	1×box / 15 (I)	20	12	8019952200644	DS
8530.360.5.X US	1×box / 15 (I)	20	12	8019952200651	DS
8530.361.5	1×box / 15 (I)	12	12	8019952147994	DS
8530.370.5	1×box / 15 (I)	7	12	8019952110851	DS
8530.371.5	1×box / 15 (I)	12	12	8019952110875	DS
8530.610.5	1×box / 15 (I)	9	12	8019952114361	DS
8530.660.5	1×box / 15 (I)	9	12	8019952115849	DS
8532.310.5	1×box / 15 (I)	14	12	8019952121185	DS
8532.312.5	1×box / 15 (I)	14	12	8019952126807	DS
8540.300.5	1×box / 15 (I)	8	12	8019952119816	DS
8540.310.5	1×box / 15 (I)	8	12	8019952119045	DS
8540.320.5	1×box / 15 (I)	8	12	8019952119984	DS
8540.360.5	1×box / 15 (I)	8	12	8019952116938	DS
8540.370.5	1×box / 15 (I)	8	12	8019952119991	DS
8542.310.5	1×box / 15 (I)	14	15	8019952121253	DS
8568.060.6	1×box / 15 (I)	132	15	8019952147451	04
8568.160.6	1×box / 20 (Q)	132	15	8019952109725	04





**OMP** S.p.A.

Via XI Febbraio 18  
I-25065 Lumezzane (BS)  
Italy

+39 0365 897941

[info@omptea.com](mailto:info@omptea.com)  
[www.omptea.eu](http://www.omptea.eu)

9999.DCB4  
1.5